

homogenizer gauges

DS 4" (100mm)

OM

- ✓ - AISI 316L st.st. wetted parts
- ✓ - $Ra \leq 0,8\mu m - 32\mu in$ (150 Grit) finishing
- ✓ - Damping system
- ✓ - C.I.P. and S.I.P execution
- ✓ - Full traceability



74-05

Autorization NO. 1599



These instruments are designed for homogenizer machines and are built according to standard n. 74-05 of 3-A organization (Sanitary Standards Symbol Administrative Council). The absence of interstices and the mirror finishing of the components assure the best hygiene. The process connection is a special diaphragm seal integrally built with the pressure gauge. To reduce the effects of severe operating conditions like vibrations and pulsations, the instruments can be liquid filled.

1.OM.2 - Fillable model

Design: 74-05 SSI; EN837-1.

Safety designation: S1 as per EN 837-2.

Ranges: from 0...2000 psi to 0...15000 psi; (from 0...160 bar to 0...1600 bar or equivalent units).

Accuracy: class 1,6 as per EN 837-1.

Ambient temperature: -13...+149 °F (-25...+65 °C).

Process temperature: -4...+248 °F (-20...+120 °C).

Max 302°F (150 °C) for 1 hour during cleaning stage (C.I.P.)¹ and sterilization (S.I.P.)².

Working pressure (referred to the full scale value): max 75%.

Over pressure limit: not available.

Seal fill: oil for food service (FDA).

Protection degree: IP 67 as per EN 60529 / IEC 529.

Process connection: AISI 316L st.st. with $Ra \leq 0,8\mu m - 32\mu in$ (150 Grit) finishing.

Diaphragm: AISI 316L

Welding: AISI 316L TIG.

Flange and screw nut: AISI 316 st.st.

Case: stainless steel.

Ring: stainless steel, bayonet lock.

Elastic element: AISI 316L st.st. spiral form.

Window: tempered glass.

Movement: stainless steel.

Dial: aluminium, white with black markings.

Pointer: aluminium black anodized.

1.OM.3 - Filled model

Case filling liquid: glycerine 99,5% (USP, E.P. and F.U.) for food service.

Ambient temperature: +59...+149 °F (+15...+65 °C).

Other features: as fillable model.

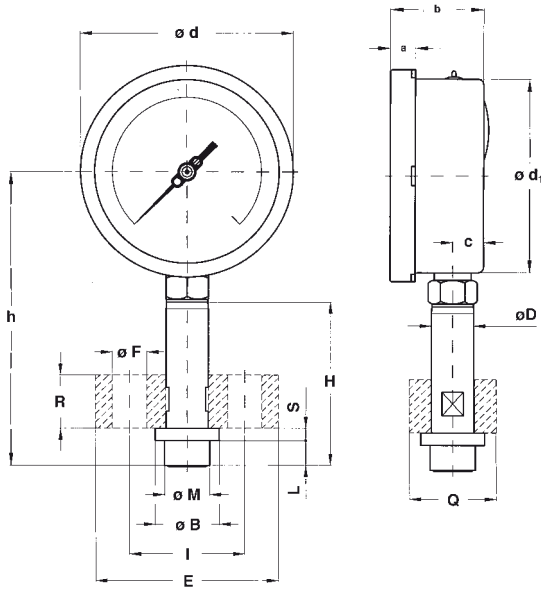
1) C.I.P. = Cleaned In Place

2) S.I.P. = Steamed In Place

RANGES	bar	bar ext. psi int.
0...160	◆	◆
0...250	◆	◆
0...400	◆	◆
0...600	◆	◆
0...1000	◆	◆
0...1600 (1)	◆	◆

RANGES	psi
0...2000	◆
0...3000	◆
0...4000	◆
0...5000	◆
0...6000	◆
0...10000	◆
0...15000	◆

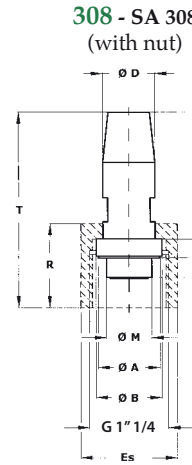
(1) available only with some type of process connections



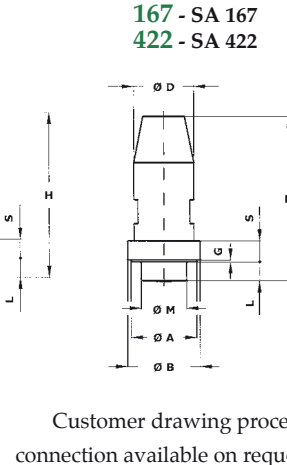
A - LOWER CONNECTION

335 - SA 335
(with flange)

a	b	c	d	d ₁	h
0.51" (13)	1.90" (48,5)	0.62" (16)	4.35" (110,6)	3.97" (101)	6.08" (154,5)



308 - SA 308
(with nut)



167 - SA 167
422 - SA 422

Customer drawing process
connection available on request

Drawing	Ø D	Ø M	Ø A	Ø B	H	S	G	L	Es	E	Ø F	I	R	Q	T	Weight
SA 335	0.86" (22)	0.95" (23,5)		1.30" (33,3)	3.38" (86)	0.25" (6,5)		0.51" (13)		3.74" (95)	0.70" (18)	2.36" (60)	1.10" (28)	1.77" (45)		4.01 lbs (1,82 kg)
SA 308	1.06" (27)	0.95" (23,5)	1.25" (32)	1.33" (34)	3.38" (86)	0.39" (10)	0.04" (1)	0.39" (10)	1.96" (50)				1.73" (44)		4.01" (102)	3.37 lbs (1,53 kg)
SA 167	1.22" (31)	0.95" (23,5)	1.33" (34)	1.47" (37,5)	3.38" (86)	0.43" (11)	0.04" (1)	0.39" (10)								2.84 lbs (1,29 kg)
SA 422	1.22" (31)	1.02" (26)	1.33" (34)	1.47" (37,5)	3.38" (86)	0.43" (11)	0.04" (1)	0.39" (10)								2.86 lbs (1,30 kg)

dimensions : inches (mm)

OPTIONS

Model	Fillable	Filled
S38 - Connection as per SA 308, without nut	◆	◆
S35 - Connection as per SA 335, without flange	◆	◆
2D1 - ATEX II 2GD c version	See the ATEX pressure gauges data-sheet for technical details	
L22 - Maximum pointer IP 65 on plexiglas window (1)	◆	◆
T32 - Safety glass window	◆	◆
TPC - Polycarbonate window	◆	◆

(1) Accuracy refers to the area free from the maximum pointer action.

"HOW TO ORDER" SEQUENCE

Section / Model / Case / Mounting / Diameter / Range / Process connection / Options

1	OM	2	A	E			167	S35...S38
		3					308	2D1...TPC
							335	
							422	