



MGS9/SA

sanitary diaphragm seal threaded process connection DIN, IDF/ISS



74-06

Autorization NO. 1599

Diaphragm seals are designed to isolate the sensing element of pressure gauges and pressure switches from process fluids which may be corrosive, viscous, sedimentous and/or with a high temperature. The diaphragm is welded to the upper body, to ensure separation of filling fluid from process medium. Designed in accordance with food and pharmaceutical standards to permit easy removal from the plant whilst maintains the hygienic feature during frequent cleaning.

4.SAN - MGS9/SA

Design: 74-06 SSI.

Working pressure: from 0...30 to 0...600 psi (from 0...1 to 0...40 bar).

Minimum working pressure as from MINIMUM RANGES table .

Process temperature: -4...+212°F (-20°C...+100°C);

Max 284°F (140 °C) for 30 minutes during cleaning stage (C.I.P.) ¹ and sterilization (S.I.P) ².

Accuracy ²: (add to instrument accuracy) ±0,5% for direct mounting.

Instrument connection: AISI 316 st.st..

Diaphragm: welded, 4 - AISI 316 L st.st.

Filling liquid: mineral oil (FDA approved) for food industry.

Process connection: AISI 316 (Cod. 4)st.st. as per:

-DIN 11851;

-IDF/ISS;

see "MINIMUM RANGES" table for dimensions, with finishing Ra ≤ 0,76 µm (welded parts included), as per ASME BPE SF3.

Union nut: AISI 304 st.st.

1) C.I.P. = Cleaned In Place

2) S.I.P. = Steamed In Place - available for ranges > 1bar when steam pressure does not exceed the max admissible pressure on the connected instrument

3) at +68°F (20 °C) process fluid temperature, or state temperature when ordering.

MINIMUM RANGES

Process connection	DN	Female with union nut		Male	
		DS 2.5" (63mm)	DS 4" (100mm)	DS 2.5" (63mm)	DS 4" (100mm)
DIN 11851	25	0...60 psi (0...4 bar)	0...60 psi (0...4 bar)	0...100 psi (0...6 bar)	
	32		0...60 psi (0...4 bar)		0...60 psi (0...4 bar)
	40		0...30 psi (0...1,6 bar)		0...60 psi (0...4 bar)
	50		0...15 psi (0...1 bar)		0...30 psi (0...1,6 bar)
IDF/ISS	1" 1/2		0...60 psi (0...4 bar)		0...60 psi (0...4 bar)
	2"		0...30 psi (0...1,6 bar)		0...30 psi (0...1,6 bar)

ASSEMBLING

D - All diaphragm seals are mounted directly on the instruments.

All diaphragm seals are mounted on the instruments and fixed by an aluminium protection label.



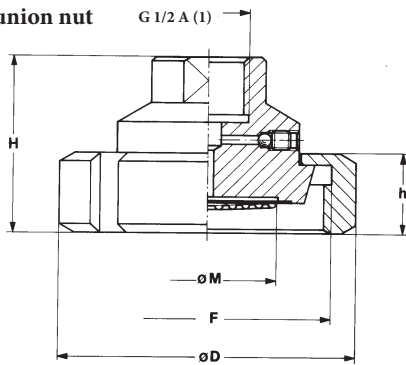
ISO 9001 : 2008
Cert. nr. 0433/6

sanitary diaphragm seal
threaded process connection DIN, IDF/ISS

MG9/SA

87-02/6

Female with union nut

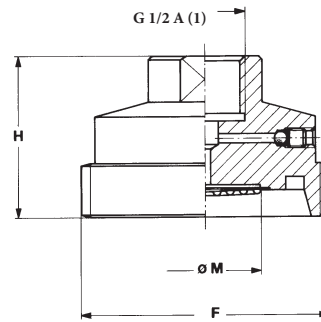


(1) DN 25 = G 1/2 A, G 1/4 A; 1" = G 1/4 A

DN	Code	H	h	D	M	F (DIN 405)
25	QHF	*1.81" (*46)	0.82" (21)	2.48" (63)	1.18" (30)	Rd 52 x 1/6
32	RHF	1.81" (46)	0.82" (21)	2.75" (70)	1.18" (30)	Rd 58 x 1/6
40	SHF	1.81" (46)	0.82" (21)	3.07" (78)	1.57" (40)	Rd 65 x 1/6
50	THF	1.85" (47)	0.86" (22)	3.62" (92)	1.96" (50)	Rd 78 x 1/6

(*) G 1/4 A : 1.63" (41,5 mm)

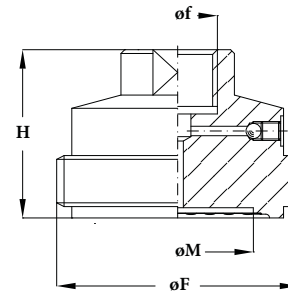
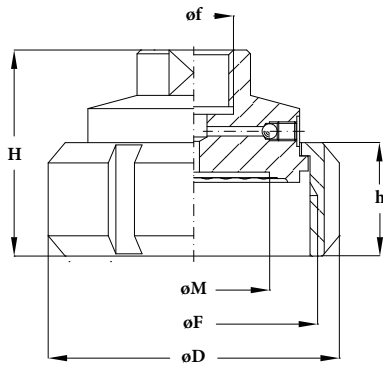
Male



(1) DN 25 and 1" = G 1/4 A

DN	Code	H	M	F (DIN 405)
25	QHM	1.45" (37)	0.78" (20)	Rd 52 x 1/6
32	RHM	1.65" (42)	1.18" (30)	Rd 58 x 1/6
40	SHM	1.65" (42)	1.18" (30)	Rd 65 x 1/6
50	THM	1.65" (42)	1.57" (40)	Rd 78 x 1/6

dimensions : inches (mm)



IDF/ISS

DN	Code	H	h	D	M	F (ACME)
1" 1/2	AMF	2.14"	1.18"	2.51"	1.18"	2" 1/32 x 8
2"	BMF	2.14"	1.18"	3.03"	1.57"	2" 9/16 x 8

IDF/ISS

DN	Code	H	M	F (ACME)
1" 1/2	AMM	1.75"	1.18"	2" 1/32 x 8
2"	BMM	1.75"	1.57"	2" 9/16 x 8

dimensions : inches

OPTIONS

P04 - Dye penetrant test	C05 - Helium Test
---------------------------------	--------------------------

"HOW TO ORDER" SEQUENCE

Section/Model/Connection material/Diaphragm material/Process Connection/Instrument connection/Assembling/Options
4 SAN 4 4 QHF...THM 41F - G 1/2 F D C05, P04
AMF...BMM

Copyright © Nuova Fima srl. All rights reserved. Any part of this publication should not be reproduced without a written Nuova Fima's srl approval

NUOVA FIMA USA Inc.
www.nuovafima.com - e-mail: infousa@nuovafima.com
4123 Hollister, Suite G - TX 77080 Houston
TEL. +1 713.690.9800 - FAX +1 713.690.9803

-2-

NUOVA FIMA srl
www.nuovafima.com - e-mail: info@nuovafima.com
P.O. BOX 58 - VIA C. BATTISTI 59 - 28045 INVORIO (NO) ITALY
TEL. +39 0322 253200 - FAX +39 0322 253232



IN ORDER TO IMPROVE THEIR PRODUCTION, MESSRS. NUOVA FIMA RESERVE THE RIGHT TO THEMSELVES TO MAKE ALL THE MODIFICATIONS THAT THEY DEEM INDISPENSABLE AT ANY TIME. UPDATED DATA-SHEETS ARE AVAILABLE ON SITE: www.nuovafima.com