

Product Information

Capacitive Level Switch MLC420/422



- 2-port isolation
- Microprocessor controlled measurement
- Parametrization via GHMware and adapter EYY120
- No moving parts in the medium
- Switching function depends to the polarity of the supply voltage
- Condensate-stability type

Technical data

Power supply
Supply voltage : 18..30 V DC, max. 50 mA
Electrical connection : M12x1 plug
CE-conformity : EN 61326:2007-05

Ambient conditions
Ambient temperature : -20..+80 °C
Climatic class : EN 60068-2-38:2010-06
Vibration class : EN 60068-2-6, GL test2

Certifications
EHEDG certificate no. : 28/2011

Sensor
Radiated frequency : 40.68 MHz, <1 mW
Measuring range : DK-value 5..175 (MLC420)
DK-value 1..175 (MLC422)

Factory setting : DK-value = 20 (MLC420)
DK-value = 1 (MLC422)

Initialization time : 3 s
Process temperature : -20..+100 °C, 140 °C < 30 min
CIP-/SIP-capable

Process pressure : -1..10 bar
Process material : PEEK, FDA approval number 21CFR177.2415
food-safe acc. to EHEDG
Conform regulation EC 1935/2004 & 10/2011

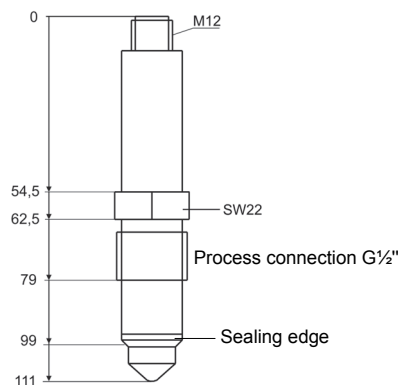
Surface quality : $R_a \leq 0,8\mu\text{m}$
Process connection : G1/2" hygienic
Stud torque : 5..10 Nm
Mounting direction : arbitrary,
see mounting notes

Output
Switching output : transistor PNP / NPN
max. 30 V / 100 mA

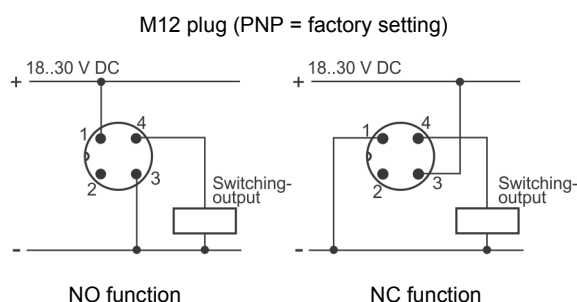
Response time : programmable from 0.01..10 s
Isolation : sensor, case/supply, outputs

Case
Material : 1.4305
Protection class : IP67 / IP69K

Dimension



Connection diagram



Cable colors: 1 = brown, 2 = white, 3 = blue, 4 = black

Ordering code

1. 2. 3. 4. 5. 6.
MLC42 - - - - -

| | |
|---|--|
| 1. Measuring range | |
| 0 | DK-value 5..175 |
| 2 | DK-value 1..175 |
| 2. Switching output | |
| 0 | PNP (standard) |
| 1 | NPN |
| 3. Electrical connection | |
| 0 | M12-plug |
| 4. Inspection window | |
| 0 | without window |
| 5. Options | |
| 00 | without option |
| 6. Certificate DIN EN 10204 (indicate only when required, multiple responses possible) | |
| RA08 | $R_a < 0,8\mu\text{m}$ (with acceptance test certificate 3.1 incl. measurement report) |
| RA06 | $R_a < 0,6\mu\text{m}$ (with acceptance test certificate 3.1 incl. measurement report) |
| WZ2.2 | factory certification 2.2 |
| APZMAT | acceptance test certificate 3.1 for material (in contact with products) |

Accessories:
ACH connection cable
APH process connection
see separate product information **GHMadapt/Accessories**.
EYY120 Programming adapter