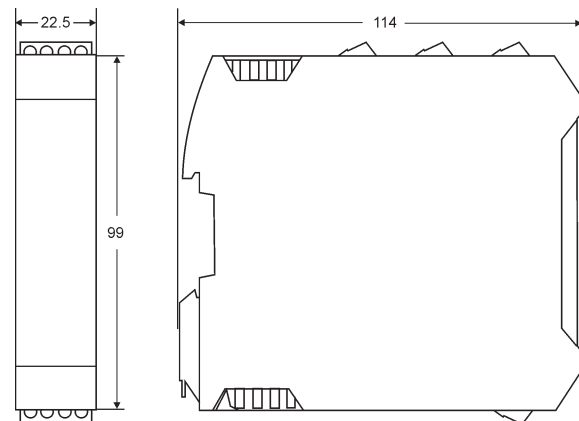


**Product information**

# Conductive Point Level Switch MLR120

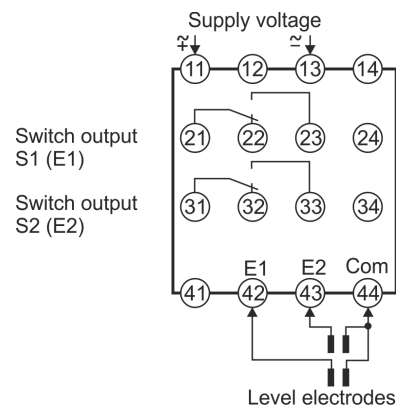


## Dimensions



- Processor controlled switching device
- Up to 2 electrodes or point sensors
- Sensitivity adjustable
- Switch-on delay adjustable
- Wide range power supply 18..230 V AC/DC
- 2 alarm outputs, relay SPDT
- Case width 22.5 mm
- DIN rail mounting TS35 according to DIN EN 60715

## Connection diagram



## Technical data

### Power supply

Supply voltage : 18..253 V AC/DC  
Power consumption : < 2 VA  
Ambient temperature : -10..55 °C  
Storage temperature : -40..+60 °C  
Relative humidity : < 95 %  
Condensation : not allowed  
CE-conformity : EN 61326-1:2013

### Input

Electrodes : 2  
Switching point : selectable from 0.05..500 kΩ  
Response time : selectable from 1..10 s  
Min. media conductance : > 2 μS  
Measuring voltage : < 5 V AC

### Outputs

2 relay SPDT : < 250 V AC < 50 VA < 2 A, ohmic load  
< 100 V DC < 50 W < 2 A, ohmic load

Indicators : LED green (operating)  
LED red (limit CH1 + CH2)

**Case** : Polyamide (PA) 6.6, UL94V-0  
DIN rail mounting TS35 according to DIN EN 60715

Weight : approx. 200 g

Connection : slide-in screw terminals with pressure plates  
0.14..2.5 mm<sup>2</sup> (AWG 26..14)

Protection class : IP20, acc. to BGV A3

## Order code

MLR120 -  1. -  2. -  3. -  4. -  5.

<b>1. Measuring input</b>	
0	2 electrodes
<b>2. Output</b>	
0	2 relays
<b>3. Supply voltage</b>	
0	18..253 V AC/DC
<b>4. Options</b>	
00	without option
01	fast switching ≥ 50 ms
<b>5. Certificate DIN EN 10204, indicate only when required</b>	
WZ2.2	factory certification 2.2