

Product Information**UK- / UKV-040GM / K****Flow Meter
UK-040**

- Frontal scale imprint
- Optionally valve
- Installation plate

Characteristics

A float moves in a transparent conical measurement tube, relative to the flow. The position of the float depends on the volume flow (weight force versus resistance to flow), and indicates the flow rate on the scaled measurement tube.

Technical data

Switch	without	
Nominal width	DN 4	
Process connection	female thread 1/8" NPT	
Metering range	0.004..100 l/min	for details see table "Ranges"
Q_{max.}	to 120 l/min	
Tolerance	±3 % of full scale value	
Pressure resistance	PN 6 bar	
Medium temperature	-20..+65 °C	
Ambient temperature	-20..+65 °C	
Media	water, gases	
Electrical data	none	
Materials medium-contact	<i>Brass construction:</i> acrylic, glass, 1.4305, 1.4310, CW614N, NBR	<i>Stainless steel construction:</i> acrylic, glass, 1.4305, 1.4310, FKM
Non-medium-contact materials	acrylic, CW614N, PS valve: ABS, CW614N	
Weight	0.24 kg	
Installation location	vertical inwards flow from below	

Ranges**Medium water**

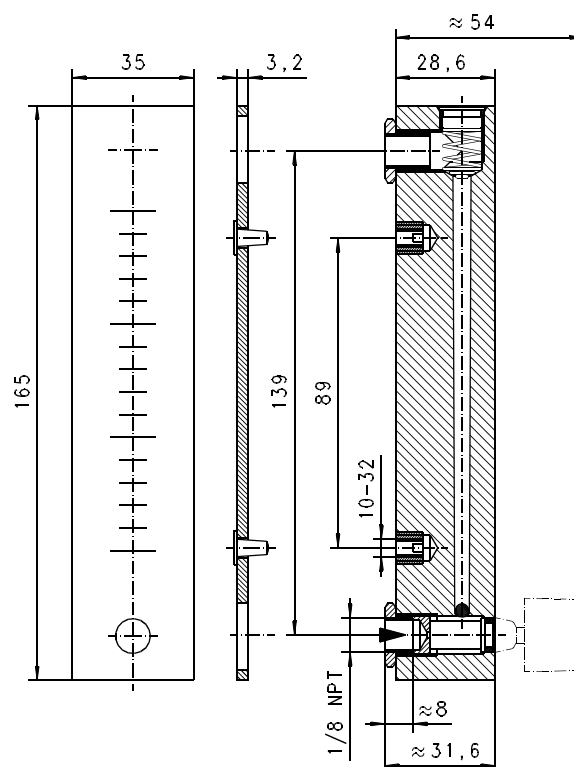
The details in the table correspond to a vertical inwards flow from below.

Metering range	Q _{max.} recommended	Type
0.2 - 3 l/h	6 l/min	UK.-040G.W0003
0.6 - 8 l/h		UK.-040G.W0008
1.0 - 14 l/h		UK.-040G.W0014
4.0 - 40 l/h		UK.-040G.W0040
8.0 - 80 l/h		UK.-040G.W0080
20.0 - 220 l/h		UK.-040G.W0220

Medium air

The details in the table correspond to a vertical inwards flow from below, with the medium at a temperature of 0 °C and a pre-pressure of 1.013 bar.

Metering range	Q _{max.} recommended	Type
0.1 - 1 NI/min	1.2 NI/min	UK.-040G.L0001
0.4 - 5 NI/min	6.0 NI/min	UK.-040G.L0005
1.0 - 10 NI/min	12.0 NI/min	UK.-040G.L0010
2.0 - 20 NI/min	24.0 NI/min	UK.-040G.L0020
3.0 - 30 NI/min	36.0 NI/min	UK.-040G.L0030
4.0 - 50 NI/min	60.0 NI/min	UK.-040G.L0050
10.0 - 100 NI/min	120.0 NI/min	UK.-040G.L0100

Dimensions

Product Information

UK- / UKV-040GM / K

Handling and operation

- Include straight calming section of 5 x DN in inlet and outlet
- If the media are dirty, install a filter

Ordering code

UK 1. 2. 3. 4. 5.
 UK

1. Valve		
-		without valve
V-		with valve
2. Series		
040		040, 1/8" NPT
3. Process connection		
G		female thread
4. Connection material		
M		brass
K		stainless steel
5. Display range H₂O for vertical inwards flow		
W0003		0.2 - 3 l/h
W0008		0.6 - 8 l/h
W0014		1.0 - 14 l/h
W0040		4.0 - 40 l/h
W0080		8.0 - 80 l/h
W0220		20.0 - 220 l/h
Display range air (0 °C 1.013 bar abs.) for vertical inwards flow		
L0001		0.1 - 1 NI/min
L0005		0.4 - 5 NI/min
L0010		1.0 - 10 NI/min
L0020		2.0 - 20 NI/min
L0030		3.0 - 30 NI/min
L0050		4.0 - 50 NI/min
L0100		10.0 - 100 NI/min

Options

- Metering ranges and special scales under defined operating pressures / temperatures
- Seal made of FKM only for brass construction)

Ordering information

- Specify direction of flow, medium, and display range.
- For gases, state pressure (relative or absolute), temperature and medium (e.g. air) (request display range)