



## GENERAL CHARACTERISTICS

The indicators of flow of CV series allow a visual inspection of the passage of liquids in hydraulic systems. The propeller is coloured for better visualization with opaque liquids. The indicator is equipped with a viewer pipe in natural glass.

- Rugged construction.
- Bidirectional operation.
- Viewer pipe made in high resistance glass.
- Easy to install.



## TECHNICAL DATA

Tab.1

Ø	DN Code	Q max. l/min	Q min. to start the rotor l/min			ΔP max Bar	P max Bar	T max °C	Weight Kg	Dimensions mm			
			H <sub>2</sub> O	40 cSt	41-150 cSt					A	B	C	SW
1/4"	<b>008</b>	10	0,6	2,5	3,5	0,15	25	100	0,1	66	22	44	20
3/8"	<b>010</b>	20	1,2	3	4	0,25	15	100	0,17	92	36	60	28
1/2"	<b>015</b>	40	1,2	3	4	0,3	15	100	0,17	92	36	60	28
3/4"	<b>020</b>	60	2,1	3,7	5	0,17	12	100	0,7	114	46	70	46
1"	<b>025</b>	80	2,1	3,7	5	0,15	12	100	0,6	114	46	70	46
On request		Only with body and connections in: Nickel plated brass <b>BB</b> or anodized aluminium <b>DD</b>											
1.1/4"	<b>032</b>	120	3,5	5,5	7	0,1	10	100	2,9	165	66	94	60
1.1/2"	<b>040</b>	160	3,5	5,5	7	0,1	10	100	2,9	165	66	94	60
2"	<b>050</b>	190	7	----	----	0,1	10	100	3	165	66	94	70

See Tab.3

## Thread Ø

G	UNI 228/1	N	NPT
	Parallel		Conical on request

## MATERIALS

Tab.2

Description	Code			
	PSO	PSK	BB	DD
DN	008 ÷ 025	008 ÷ 025	032 ÷ 050	032 ÷ 050
Body	Latene	Latene	Brass (*)	Aluminium
Fittings	Brass	AISI-316	Brass (*)	Aluminium
Rotor	R PP- red	PP- red	PP- red	PP- red
	B PP- blue	PP- blue	PP- blue	PP- blue
Axes	PP	PP	PP	PP
Viewer pipe	Pyrex glass	Pyrex glass	Pyrex glass	Pyrex glass
Gasket	NBR	Viton	NBR	NBR

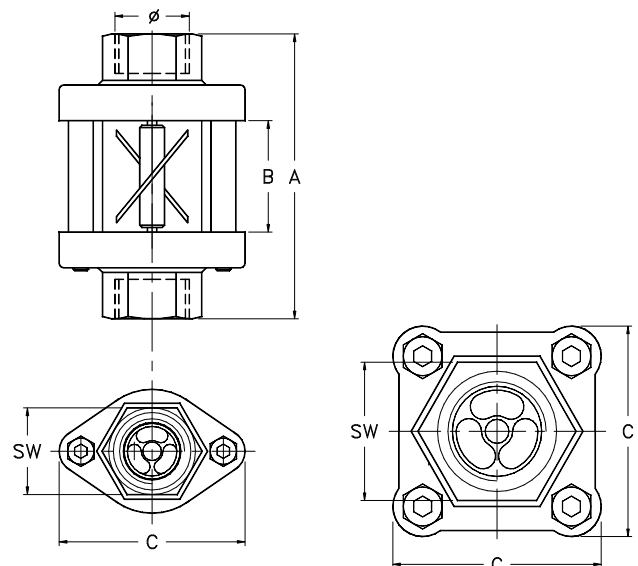
(\*) Nickel plated brass

## INSTALLATION

The mounting can take place in any position, with the only precaution to avoid the connection with rigid pipes if not in perfect alignment with the instrument.

## DIMENSIONS

Tab.3



## NOMENCLATURE

CV	025G	PSO	R
•			
	•		
		•	
			•

	Name - Type
Tab.1	Process connection dimensions
Tab.2	Body material - Fittings
Tab.2	Colour of the propeller