

Block & Bleed and Double Block & Bleed Manifolds

B.01.540-E-190412
www.tempco.be

Block & Bleed and Double Block & Bleed Manifolds

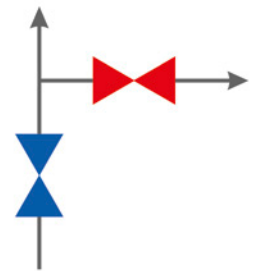
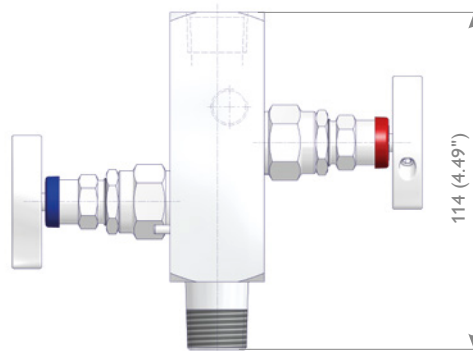
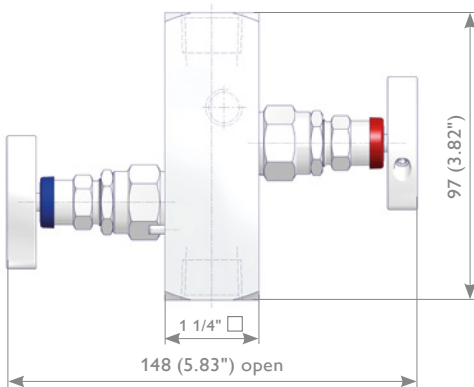
AS-Schneider Block & Bleed and Double Block & Bleed Manifolds are designed for mounting to Pressure Gauges, Pressure Transmitters and Pressure Switches. The standard vent connection is 1/4 NPT female. Pipe plugs are not installed as standard. For plugged vent ports (factory installed) – see also options next page – Ordering Information Block & Bleed Manifolds. Accessories like Swivel Gauge Adaptors, Vent Valves etc. see Pages 48-53.

The dimensions shown apply only to the illustrated valves (1/2 NPT Threaded) – if you need the dimensions for your individual type or should you still not find your options at all please contact the factory.

Block & Bleed Manifolds – Female Threaded Instrument Connection

SAFF Type

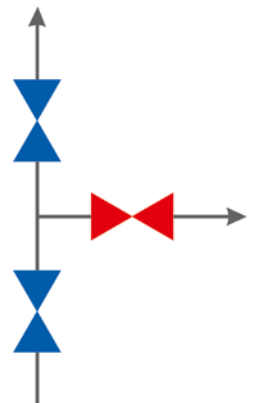
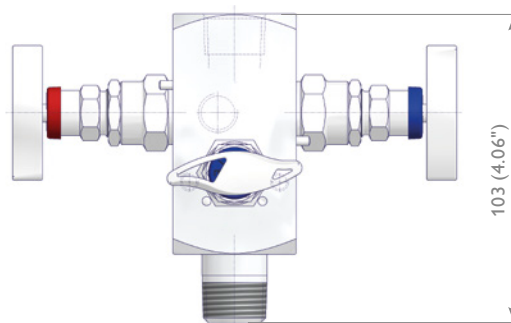
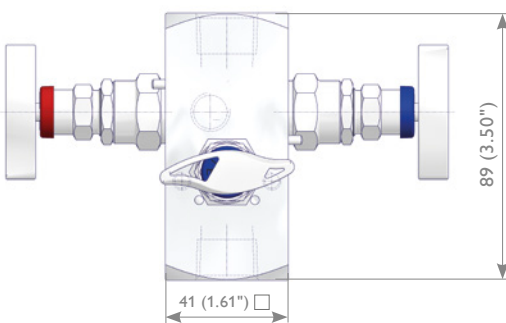
SAMF Type



Double Block & Bleed Manifolds – Female Threaded Instrument Connection

CAFF Type

CAMF Type



Block & Bleed and Double Block & Bleed Manifolds

Ordering Information

	1	2	3	4	5	6	7	8	9	10	11	12	13	14	15	16	
	S	A	M	F	M	A	-	N	4	N	4	-	9	Q	U		
S	Block & Bleed Manifolds																
C	Double Block & Bleed Manifolds																
Vent Connection																	
A	1/4 NPT Female		C	G 1/4 Female													
B	1/2 NPT Female		D	G 1/2 Female													
Inlet																	
M	Male		B	Butt Weld End													
F	Female		S	Socket Weld End													
T	Integral Tube Fitting		A	1/2 NPT with Tube Fitting													
Outlet																	
M	Male		G	Adjusting Nut (For Connection Code G2, G4 and M4 only)													
F	Female		D	Swivel Nut [Wire Design] (For Connection Code G2, G4 and M4 only)													
Material																	
S	1.4401 / 1.4404 / 316 / 316L		F	Duplex UNS S31803		B	6Mo UNS S31254										
M	Alloy 400 UNS N04400		D	Super Duplex UNS S32750		T	Titanium Grade 2										
H	Alloy C-276 UNS N10276		V	Alloy 625 UNS N06625													
Bonnet																	
A	PTFE		K	O-Ring FKM (FPM by ISO)													
B	Graphite		W	Carbon filled PTFE – TA-Luft													
D	ISO FE Series Type 1		2	Bellows sealed PN 100													
E	ISO FE Series Type 3		4	Bellows sealed PN 250													
Inlet																	
Thread Type																	
N	NPT		C	Single Ferrule Tube Fitting		4	1/2" Pipe		D	For 12 mm Tube (Ø 12.2 mm)							
G	BSP Parallel (G) – EN 837-1		K	Twin Ferrule Tube Fitting		6	3/4" Pipe		E	For 14 mm Tube (Ø 14.25 mm)							
H	BSP Parallel (G) – DIN 3852					D	12 mm		2	For 1/4" Pipe							
R	BSP Taper (R/Rc) – ISO 7/1					E	14 mm										
M	Metric similar to EN 837-1																
Inch Sizes																	
2	1/4		4	12 resp. 12S		P	Schedule 80		A	Socket Weld							
4	1/2		5	14 resp. 14S		Q	Schedule 160										
6	3/4		9	1/2"		2	2.0 mm										
						8	2.6 mm										
						A	3.2 mm										
Metric Size																	
4	M20 x 1.5																
Outlet																	
Male / Female Thread Sizes																	
N2	1/4 NPT Female Thread only		G2	G 1/4 (1/4 BSP P)													
N4	1/2 NPT		G4	G 1/2 (1/2 BSP P)													
R4	R/Rc 1/2 – ISO 7/1 (1/2 BSPT) Female Thread only		M4	M20 x 1.5													
Options - Specify in alphabetical order (digits first, then letters)																	
B	Cleaned and Lubricated for Oxygen Service – For PTFE Packing only																
F	PCTFE Soft Tip																
G	POM Soft Tip																
S	Stellite Valve Tip																
A	Vent Ports Plugged																
H	10,000 psi (689 bar) for PTFE Packing 7,252 psi (500 bar) for Graphite Packing																
P	Power Piping ASME B31.1 – For Graphite Packing only																
K	Arctic Operations (-55°C (-67°F)) – For PTFE Packing only																
M	Wetted Parts with 3.1 certificate																
Operation Options																	
J	Stainless Steel Handwheel with Locking Plate Design																
T	Anti-Tamper Bonnet (Key to be ordered separately)																
R	Anti-Tamper Bonnet (1 Key supplied per Valve/Manifold)																
Q	AT-Key Lock Bonnet Design																
U	Padlock for Anti-Tamper Bonnet / AT-Key Lock Bonnet Design																
W	Stainless Steel Handwheel																
Accessory Kits																	
8	SST Mounting Bracket AKM-S Type for 2" Pipe Mounting supplied separately – For Vertical Impulse Piping Installations of Block & Bleed Manifolds Type S																
9	SST Mounting Bracket AKM-G Type for 2" Pipe Mounting supplied separately – For Vertical Impulse Piping Installations of Double Block & Bleed Manifolds Type C																

Wetted Parts according to above mentioned material list are supplied according to NACE MR0175/MR0103 and ISO 15156 (latest issue) - except Titanium Grade 2.
 Note: Not every configuration which can be created in the ordering information is feasible / available.