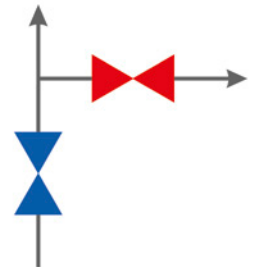
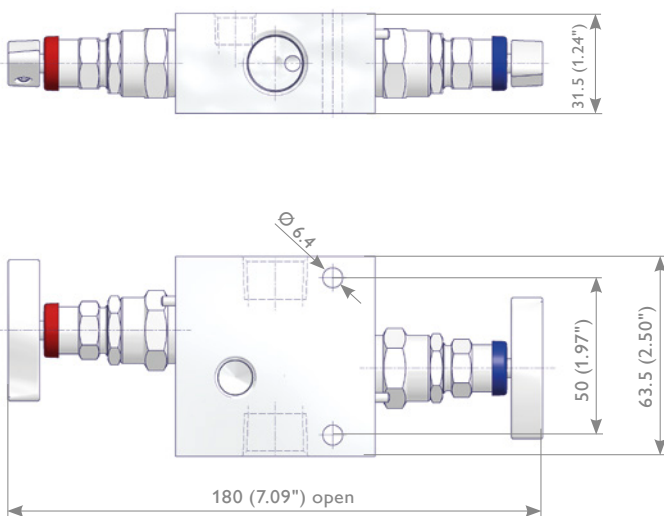


Remote Mounted Manifolds (2, 3 and 5 Valve Manifolds)

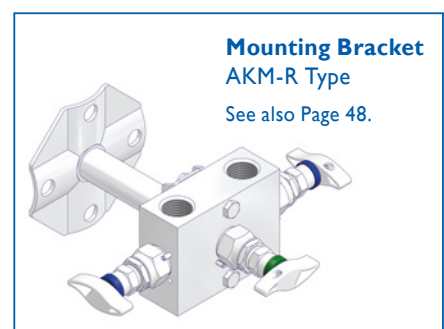
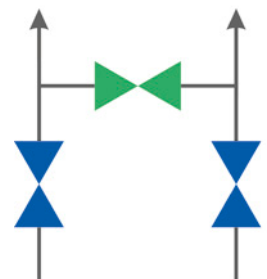
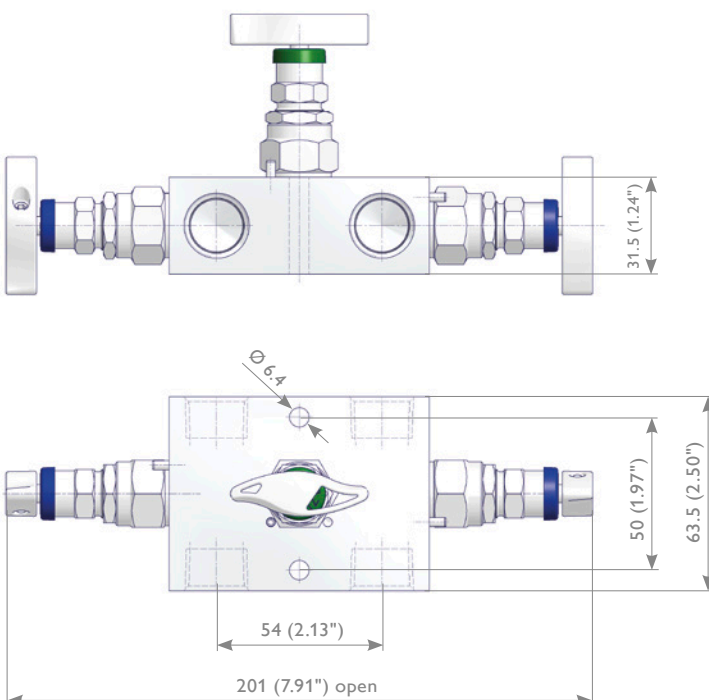
AS-Schneider Remote Mounted Manifolds are designed for remote installation from Pressure Instruments and Differential Pressure Transmitters. The standard vent connection is 1/4 NPT female. Pipe plugs are not installed as standard to 2 and 5 Valve Manifolds. For plugged vent ports (factory installed) - see also options Page 27 – Ordering Information Remote Mounted Manifolds. The standard type of 3 Valve Manifolds is the one without vent connection. The 3 Valve Manifolds with vent connection are supplied with installed pipe plugs as standard. Accessories like Mounting Brackets, Swivel Gauge Adaptors, Pipe Plugs etc. see also Pages 48-53.

The dimensions shown apply only to the illustrated valves (1/2 NPT Threaded) – if you need the dimensions for your individual type or should you still not find your options at all please contact the factory.

2 Valve Manifolds, Remote Mounted R2AA Type

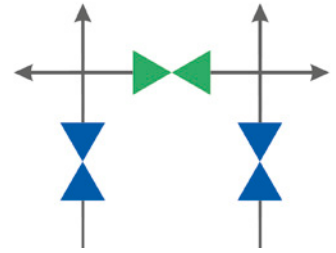
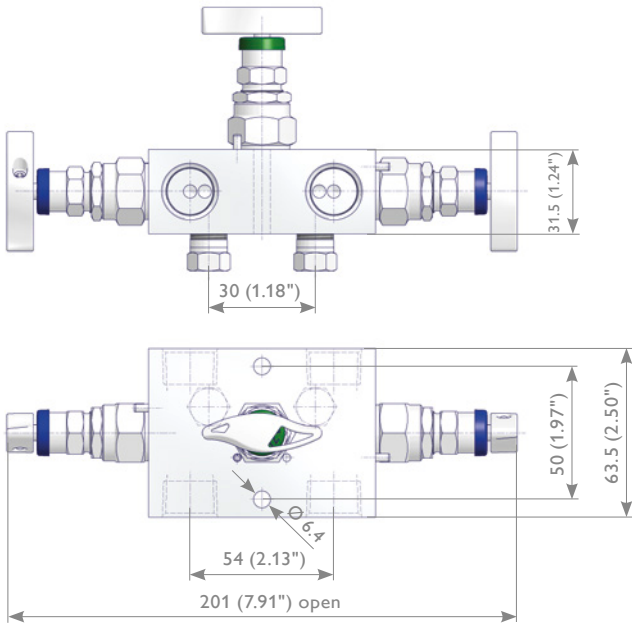


3 Valve Manifolds, Remote Mounted without Vent Connection R3AA Type



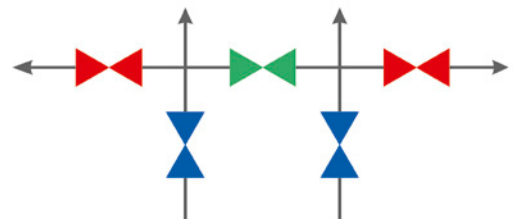
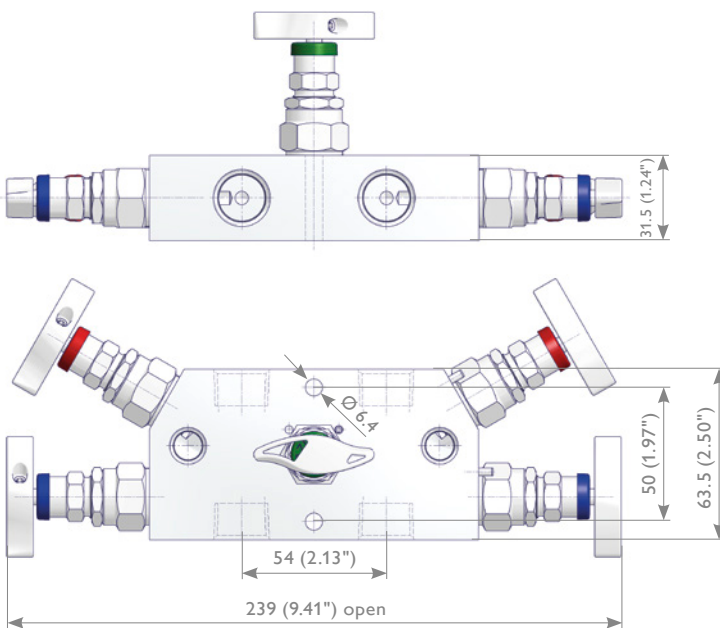
Remote Mounted Manifolds

3 Valve Manifolds, Remote Mounted with Vent Connection 1/4 NPT Female R3BA Type

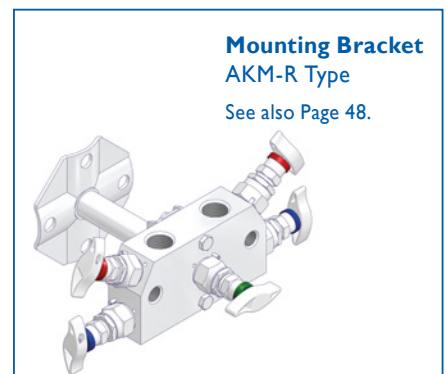
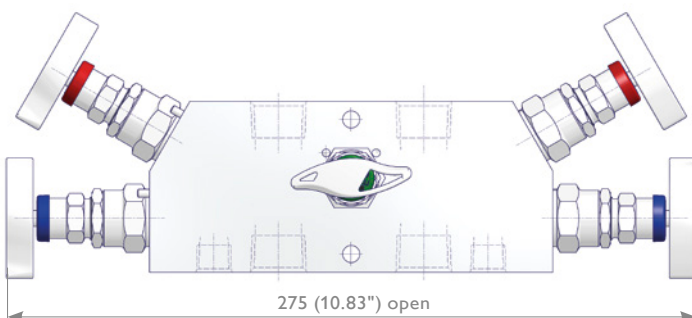


AKM-R Type Mounting Bracket not suitable.

5 Valve Manifolds, Remote Mounted R5AA Type



Vent Ports on Process Side R5GA Type



Ordering Information

	1	2	3	4	5	6	7	8	9	10	11	12	13	14	15	16
	R	3	B	C	H	A	-	S	9	S	9	-	R	U		
R	Remote Mounted Manifolds															
	Quantity Bonnets – 2, 3 or 5															
	Vent Connection															
A	Standard – 2 Valve / 5 Valve Manifold with Vent Ports 1/4 NPT Female, 3 Valve Manifold without Vent Port															
B	Vent Ports 1/4 NPT Female – For 3 Valve Manifolds only															
G	Vent Ports 1/4 NPT on Process Side of the 5 Valve Manifold															
	Inlet and Outlet															
A	Female Connections															
B	1/4 NPT with Tube Fittings															
C	1/2 NPT with Tube Fittings															
	Material															
S	1.4401 / 1.4404 / 316 / 316L				F	Duplex UNS S31803				B	6Mo UNS S31254					
M	Alloy 400 UNS N04400				D	Super Duplex UNS S32750				T	Titanium Grade 2					
H	Alloy C-276 UNS N10276				V	Alloy 625 UNS N06625										
	Bonnet															
A	PTFE				K	O-Ring FKM (FPM by ISO)										
B	Graphite				W	Carbon filled PTFE – TA-Luft										
D	ISO FE Series Type 1				2	Bellows sealed PN 100										
E	ISO FE Series Type 3				4	Bellows sealed PN 250										
	Inlet															
	Thread Type				Fitting Type											
N	NPT				C	Single Ferrule Tube Fitting										
					K	Twin Ferrule Tube Fitting										
	Thread Size				Tube Fitting Sizes											
2	1/4				4	12 resp. 12S										
4	1/2				9	1/2"										
	Outlet															
	Thread Type				Fitting Type											
N	NPT				C	Single Ferrule Tube Fitting										
					K	Twin Ferrule Tube Fitting										
	Thread Size				Tube Fitting Sizes											
2	1/4				4	12 resp. 12S										
4	1/2				9	1/2"										
	Options - Specify in alphabetical order (digits first, then letters)															
B	Cleaned and Lubricated for Oxygen Service – For PTFE Packing only															
F	PCTFE Soft Tip															
G	POM Soft Tip															
S	Stellite Valve Tip															
A	Vent Ports Plugged															
H	10,000 psi (689 bar) for PTFE Packing 7,252 psi (500 bar) for Graphite Packing															
P	Power Piping ASME B31.1 – For Graphite Packing only															
K	Arctic Operations (-55°C (-67°F)) – For PTFE Packing only															
M	Wetted Parts with 3.1 certificate															
	Operation Options															
J	Stainless Steel Handwheel with Locking Plate Design															
T	Anti-Tamper Bonnet (Key to be ordered separately)															
R	Anti-Tamper Bonnet (1 Key supplied per Valve/Manifold)															
Q	AT-Key Lock Bonnet Design															
U	Padlock for Anti-Tamper Bonnet / AT-Key Lock Bonnet Design															
W	Stainless Steel Handwheel															
	Accessory Kits															
8	SST Mounting Bracket AKM-R Type for 2" Pipe Mounting supplied separately – For Vertical Impulse Piping Installations															

Wetted Parts according to a.m. material list are supplied according to NACE MR0175/MR0103 and ISO 15156 (latest issue) - except Titanium Grade 2.
 Note: Not every configuration which can be created in the ordering information is feasible / available.