

Product Description

AS-Schneider Gauge Protectors are used to protect pressure-sensing instruments against damage, loss of accuracy, and/or rupture in the event of excessive system pressure. The piston assembly works against an adjustable spring. The piston assembly contains a sealing mechanism to isolate system pressure from the instrument.

The Inlet to Outlet seal is an O-Ring, the sealing to atmosphere is realized by either another O-Ring (system pressures of more than 2 bar) or a diaphragm (for system pressures 0.4 up to 2.5 bar). As system pressure overcomes the force of the spring, the piston moves, causing the sealing system to close. The outlet side is now isolated from increasing system pressure and the instrument is protected. As system pressure drops to the reopening pressure (25% below the closing pressure), the valve opens again.

Standard Features

- Forged Body
- Piston Seals:
 - FKM (FPM by ISO)
 - Diaphragm in NBR for the DVGW approved type
- Max. allowable (Working) Pressure (PS): 600 bar
- Max. Inlet Pressure: 1,000 bar (except Brass Type: 600 bar)
- Max. allowable Temperature (TS) 80°C, resp. 60°C for our DVGW approved types S005.50.001.00DV / 201.00DV

The Gauge Protectors are as a standard available for sour gas service in accordance with NACE MR0175/MR0103 and ISO 15156 except the Brass Type.

Pressure Test:

A shell test and a seat test are performed at 1.5 times the max. allowable (working) pressure acc. to EN 12266-1 - P10, P11 and P12. The closing pressure is normally adjusted to the average value of the relevant adjusting range – For example adjusting range 2-6 bar = 4 bar closing pressure.

Optional Features

DVGW approved Gauge Protectors:

AS-Schneider is offering Gauge Protectors which have been tested and approved by DVGW. The test basis is DVGW VP 308. The valves are applicable for all kinds of gas in accordance with DVGW-list number G 260.

Pressure-Temperature Rating:

- Max. 400 bar @ -20°C up to +60 / +80°C

- DVGW-Approval-No.: DG-4515BP0208

- Part No. Suffix ...00DV for DVGW types

Oxygen Service:

AS-Schneider offers an option cleaned and lubricated for Oxygen Service – Suffix F0:

- Max. allowable (Working) Pressure (PS): 400 bar
- Max. allowable (Working) Temperature (TS): 60°C

- A choice of O-Ring materials is available.

Certification:

Inspection certificate 3.1 acc. to EN 10 204 for valve body material and pressure test available on request.

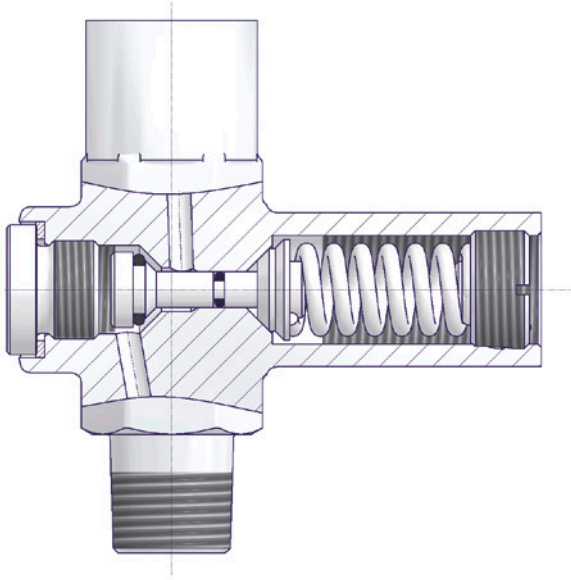
Components	Brass	Stainless Steel	Duplex	Alloy 400	Alloy C-276	Alloy 625
	Material / Material No.					
Body	Brass	1.4571				
Bonnet		316*	Duplex	Alloy 400	Alloy C-276	Alloy 625
Piston	1.4404*					
Piston Seals	FKM (FPM by ISO)					
Screw Plug	1.4404*		Duplex	Alloy 400	Alloy C-276	Alloy 625
Adjusting Screw	1.4404*					
Spring	Stainless Steel					
Adjusting Nut	Unalloyed Steel	Stainless Steel				

* 316 / 316L / 1.4401 / 1.4404

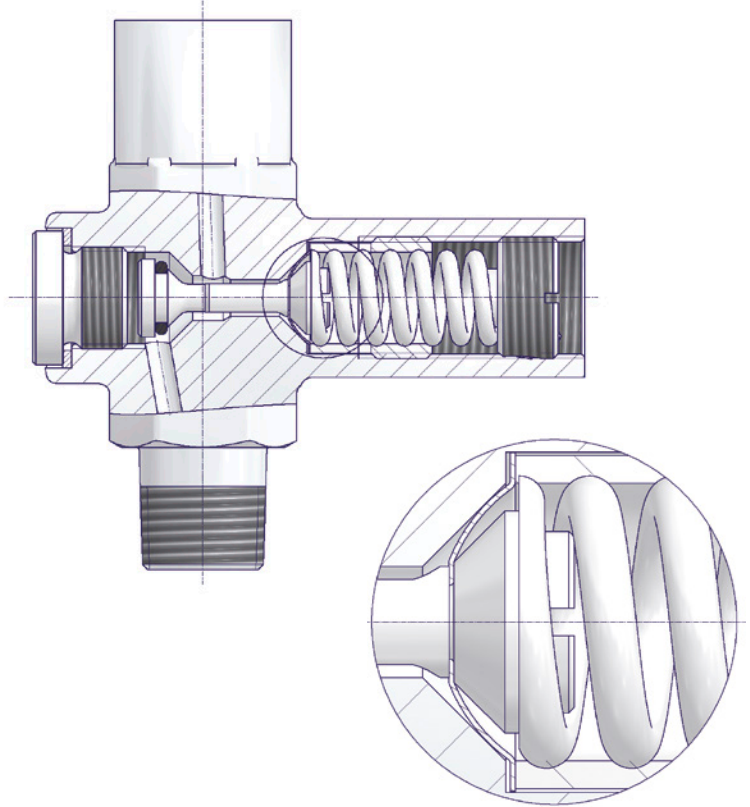
Gauge Protectors

Gauge Protector Type S005.50

Gauge Protector Design
For System Pressures 2 - 600 bar

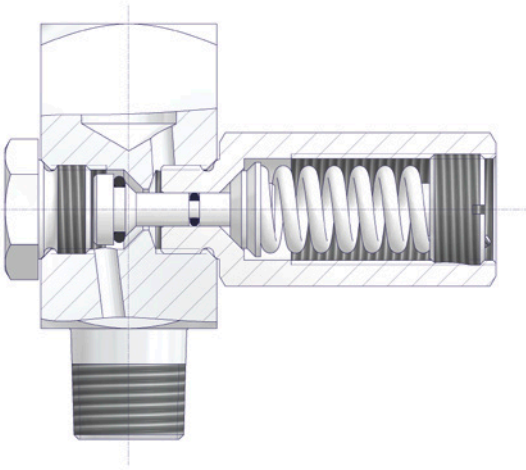


Gauge Protector Design
For System Pressures 0.4 - 2.5 bar



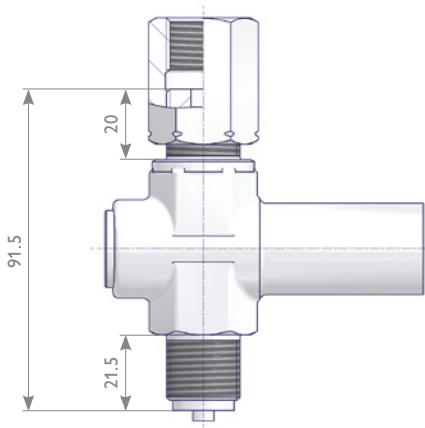
Gauge Protector Type N005.50

Screwed Bonnet Design

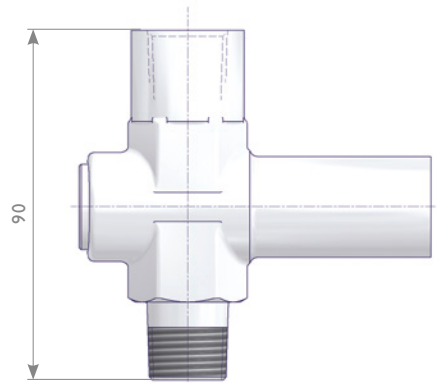


Gauge Protector Type S005.50

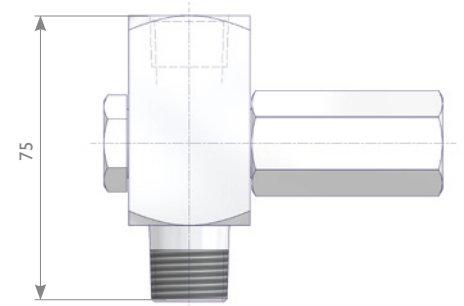
Outlet Adjusting Nut



Outlet Female NPT



Gauge Protector Type N005.50



Parallel Threads

Inlet	Outlet	Material	Adjusting range in bar						
			0.4 - 2.5	2 - 6	5 - 25	20 - 60	50 - 250	240 - 400	400 - 600
G 1/2 Male	G 1/2 Adjusting Nut	Brass	S005.50.001	...002	...003	...004	...005	...006	...007
			S005.50.001.00DV	...002.00DV	...003.00DV	...004.00DV	...005.00DV	...006.00DV	
		1.4571	S005.50.201	...202	...203	...204	...205	...206	...207
			S005.50.201.00DV	...202.00DV	...203.00DV	...204.00DV	...205.00DV	...206.00DV	
M20x1.5 Male	M20x1.5 Adjusting Nut		S005.50.251	...252	...253	...254	...255	...256	...257

NPT Threads

Inlet	Outlet	Material	Adjusting range in bar						
			0.4 - 2.5	2 - 6	5 - 25	20 - 60	50 - 250	240 - 400	400 - 600
1/2 NPT Male	1/2 NPT Female	Brass	S005.50.021	...022	...023	...024	...025		
		1.4571	S005.50.221	...222	...223	...224	...225	...226	
		316	N005.50.421	...422	...423	...424	...425	...426	...427
		Duplex	N005.50.821.0001	...822.0001	...823.0001	...824.0001	...825.0001	...826.0001	...827.0001
		Alloy 625	N005.50.821.0009	...822.0009	...823.0009	...824.0009	...825.0009	...826.0009	...827.0009
		Alloy 400	N005.50.921.0001	...922.0001	...923.0001	...924.0001	...925.0001	...926.0001	...927.0001
		Alloy C-276	N005.50.921.0005	...922.0005	...923.0005	...924.0005	...925.0005	...926.0005	...927.0005
1/4 NPT Male	1/4 NPT Female	Brass	S005.50.041.01	...042.01	...043.01	...044.01	...045.01	...046.01	
		1.4571	S005.50.241.01	...242.01	...243.01	...244.01	...245.01	...246.01	...247.01