

DIAPHRAGM PRESSURE GAUGE GUARD MDM 902

Nominal size DN 20–25

Pressure PN 10 bar



Features

- Pressure measurement up to 10 bar
- EPDM diaphragm with PTFE coating on the side in contact with the medium
- Reliable protection of pressure gauges from aggressive medium types
- Reliable pressure transmission due to generously dimensioned diaphragms
- Practical connection points with spigots and threads

Additional options on demand

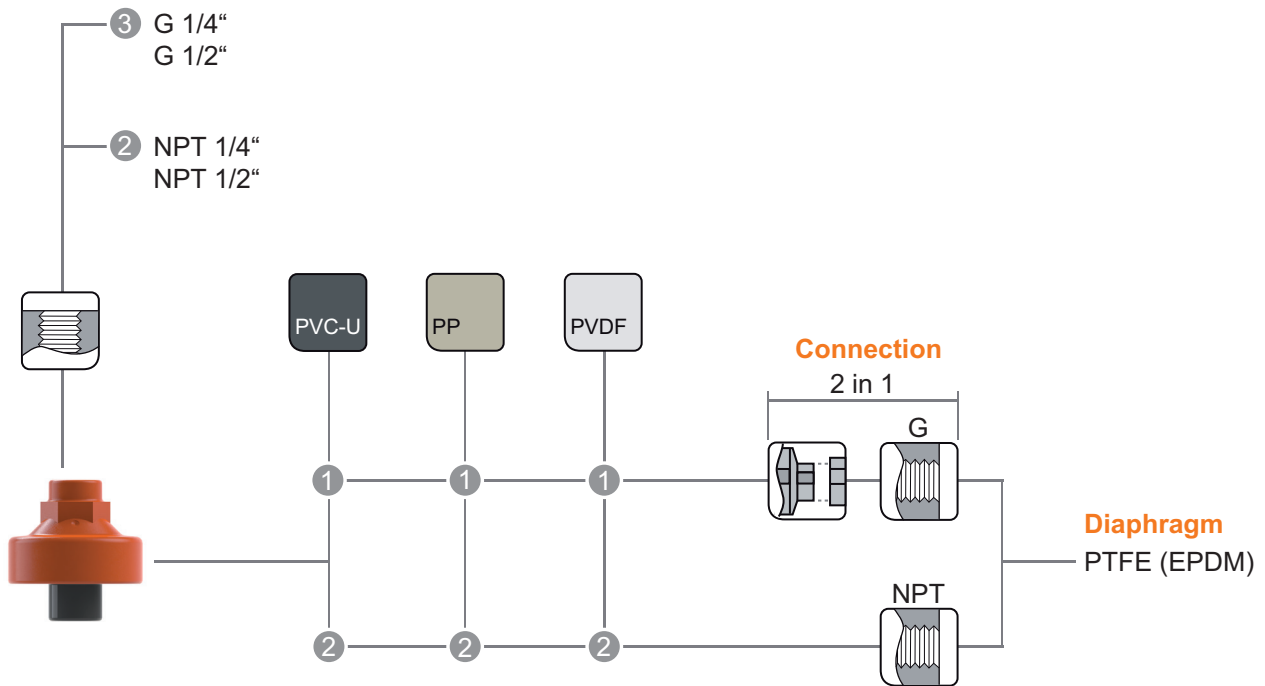
- Free of surface disturbing substances
- NSF certification
- PFA permeation stop films
- Installation of different pressure gauges

Attention

Diaphragm pressure gauge guard free of surface disturbing substances is filled with demineralized water

www.asv-stuebbe.com/produkte/mess-und-regeltechnik

Pictogram Diaphragm pressure gauge guard MDM 902



Diffusion stop for medium types prone to permeation:
PFA permeation stop film
Available versions: PVC-U | PVDF

● available
○ not available

Basic Nominal Sizes:

DN 8	DN 10	DN 15	DN 20	DN 25	DN 32	DN 40	DN 50	DN 65	DN 80	DN 100	DN 125	DN 150	DN 200	DN 250	DN 300	DN 350	DN 400
------	-------	-------	-------	-------	-------	-------	-------	-------	-------	--------	--------	--------	--------	--------	--------	--------	--------

Connection Material (process connection)

- ① spigot **DIN*** + female thread **G**
- ② female thread (reinforced) **NPT**
- ③ female thread **G**

* socket welding

Diaphragm pressure gauge guard MDM 902

Use

- Chemical plant engineering
- Electroplating plants

Application

- for corrosion-free pressure transmission between the medium and the measuring instrument

Pressure transmission

- The system pressure is transmitted to the measuring instrument by a large diaphragm via transmitter fluid.

Flow medium

- Neutral and aggressive fluids free of solid particles, provided that the valve components coming into contact with the fluids are resistant at the operating temperature according to the ASV resistance guide.

ASV-Stübbe resistance guide

- www.asv-stuebbe.de/pdf_resistance/300051.pdf

Nominal pressure (H₂O, 20 °C)

- PN 10 bar

Medium temperature

- See graphics „Pressure/temperature diagram“

Operating pressure

- See graphics „Pressure/temperature diagram“

Size

- DN 20–25

Bonnet

- PP, glass fiber reinforced

Bottom section

- PVC-U, PP, PVDF

Sealing element

- PTFE, PFA

Diaphragm

- PTFE (EPDM diaphragm with PTFE coating on the side in contact with the medium)
- Optional: PFA permeation stop film

Transmitter fluid

- Glycol (ethylene glycol)
- Antifreeze (e.g. glysantine or Aral Antifreeze)
- Demineralized water: When used for potable water or for free of surface disturbing substances

Device connection

- see pictogram

Pressure gauge connection

- Bonnet, internal thread G 1/4“, G 1/2“, NPT 1/4“, NPT 1/2“
- Rear connection G1/4“ – only for standard pressure gauge design

Mounting position

- as required, preferably measuring instrument at the top

Color

Bonnet:

- orange, RAL 2004

Bottom section:

- PVC-U: gray, RAL 7011
- PP: gray, RAL 7032
- PVDF: opaque, yellowish-white

Accessories

Pressure gauge, standard version:

- Housing: POM
- Measuring system: Copper alloy

Pressure gauge chemical version (undamped, damped):

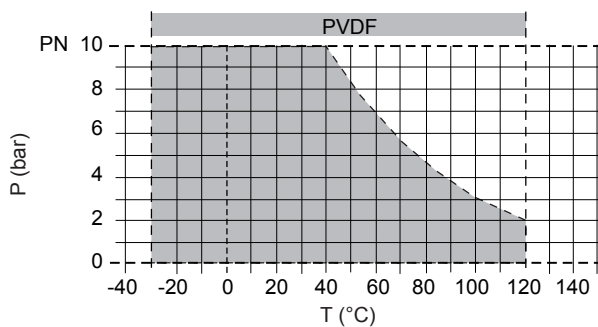
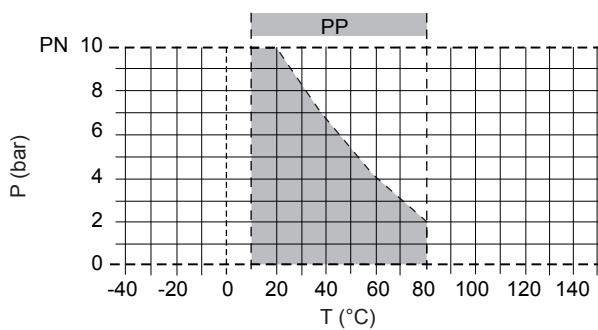
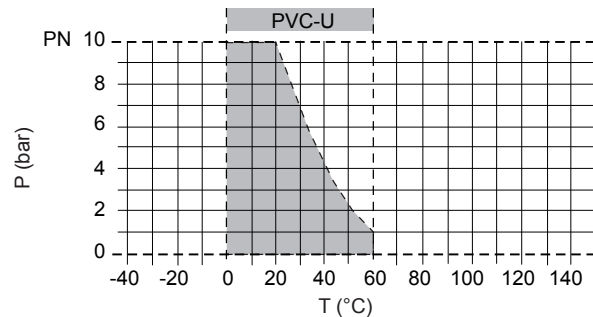
- Housing: CrNi steel (1,4571)
- Measuring system: CrNi steel (1,4571)

Pressure transducer

Attention

- MDM 902 with pressure gauge installation on request!

Pressure/temperature diagram



Description	
P	Operating pressure
T	Temperature

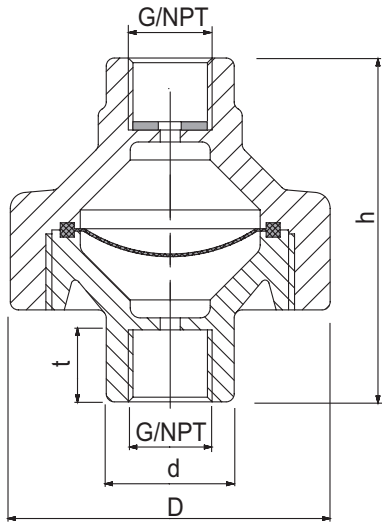
The pressure/temperature limits of the materials are valid for the stated nominal pressures and a service life of 25 years.

These values are guide values for flow medium types which do not negatively impact the physical and chemical characteristics of the valve material. It may be necessary to take diminution factors into consideration.

The operating life of the wear parts depends on the conditions of use.

Diaphragm pressure gauge guard MDM 902

Connection spigot end

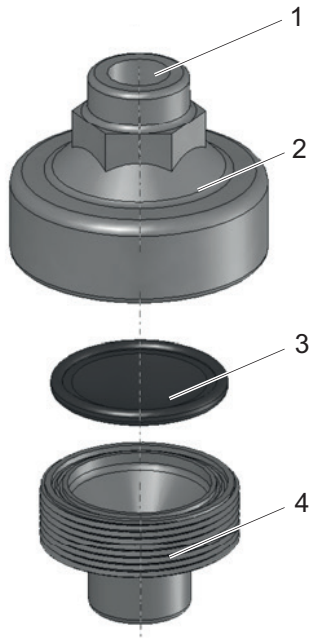


d (mm)	25	32
DN (mm)	20	25
G (inch)	1/4	1/2
D	80.0	80.0
d	25.0	32.0
G*	1/4	1/2
h	86.0	86.0
t	18.0	22.0

all dimensions in mm / * dimensions in inch

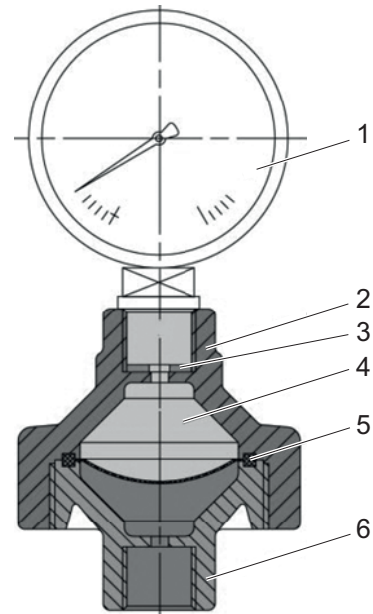
Diaphragm pressure gauge guard MDM 902

Structure



Position	Designation
1	Connection, pressure gauge
2	Bonnet
3	Separating diaphragm
4	Bottom section

Components



Position	Designation
1	Pressure gauge
2	Bonnet
3	Flat sealing
4	Transmitter fluid
5	Separating diaphragm
6	Bottom section