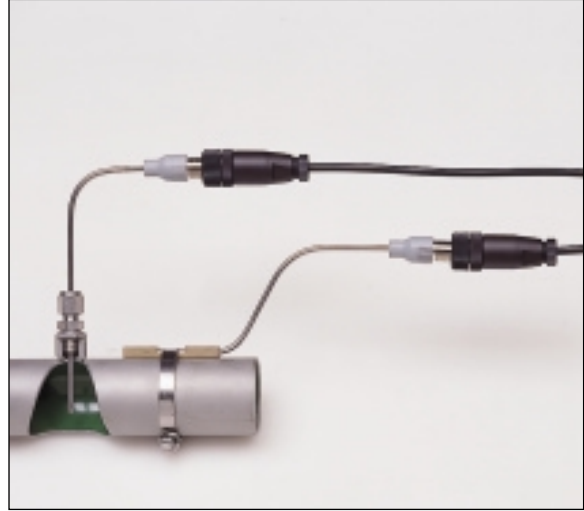


RTD probe manufactured using densely packed magnesium oxide insulated stainless steel sheathed cables. The bendable probe is provided with a moulded on (IP 67) 4 pins connector with M12 male thread, and is suitable for a great variety of applications. This probe can be a reliable alternative to common assemblies with connection head.

TRM

MULTI-PURPOSE RESISTANCE TEMPERATURE DETECTOR



Installation samples with accessories

TECHNICAL DATA

sensing element:
single RTD 1 Pt 100 Ω at 0°C to IEC 751 class B; class A or class AA

type of construction:
with densely packed magnesium oxide insulated cable

sheath material:
AISI 316 s.s.

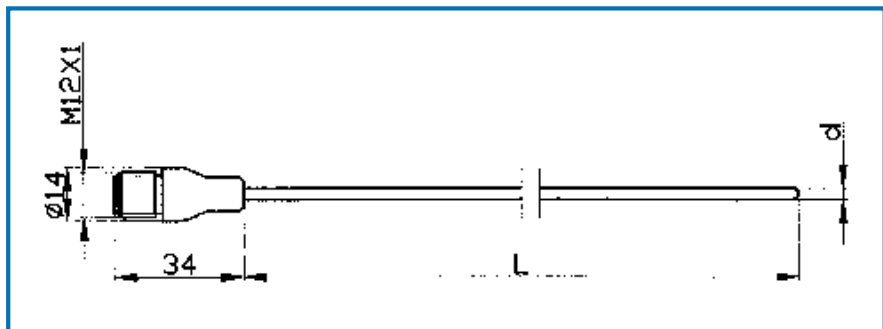
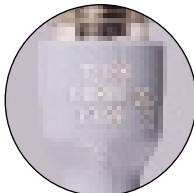
temperature range:
CLASS B: -50 \div 500°C
CLASS A: -30 \div 350°C
CLASS AA: 0 \div 250°C

minimum bending radius:
Three-times the outer diameter (except the sensing tip which length is 30 mm)

connection:
4 pins male connector with body in moulded Nylon and M12X1 steel thread to (DIN-VDE 0627) with degree of protection IP-67 (T° Max 90°C)

insulation resistance:
100 M Ω with 100 Vcc.

marking:
each probe is permanently marked with the exact ohmical calibration test value at 0°C, the manufacturing date and a traceability code



CODE TO ORDER FROM STOCK:

TRM	P1				X
-----	----	--	--	--	---

ACCURACY CLASS
to IEC 751

B	B
A	A
AA (1/3 B)	Z

SHEATH DIAMETER d (mm)

Ø2*	-2--
Ø3	-3--
Ø4,5	-45-
Ø6	-6--

* Available only with length L=250 mm

LENGTH L (mm)

100	0100
150	0150
250	0250
350	0350
500	0500
750	0750
1000	1000

TRM

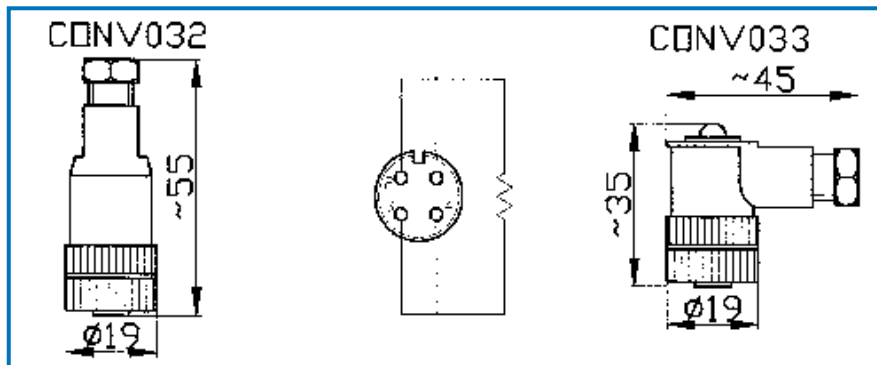
CONNECTORS AND RTD EXTENSION CABLES

TECHNICAL DATA FOR CONNECTORS

types:
with straight outlet (CONV032)
or with elbow outlet (CONV033)

connection:
female connector, plug in and
screw on type, with Nylon body
and 4 terminal pots with screws,
M12X1 metal thread
(to DIN-VDE 0627) and cable
gland with degree of protection
IP 67 (T° Max 90°C)

Connectors having same features as a common connection head. They allow an easy use of several kind of cables (with different lengths and type of insulation) by means of terminal pots with screws, granting a high degree of protection (IP 67).



CODE TO ORDER FROM STOCK:

straight outlet	CONV032
elbow outlet	CONV033

TECHNICAL DATA FOR RTD EXTENSION CABLES

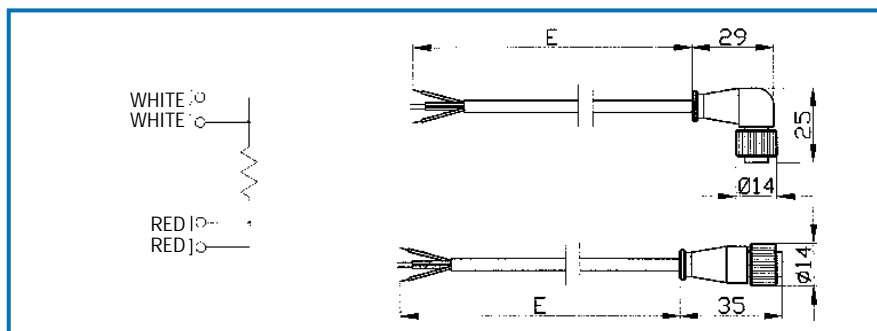
types:
with straight or elbow type
connector

cable data:
stranded copper wires 4X0,20
mm² (24AWG) with single
conductor and overall silicon
rubber insulation, colour-coding
to IEC 751

connection:
4 pins female connector, plug in
and screw on type, with body in
moulded Nylon and M12X1
metal thread (to DIN-VDE 0627),
degree of protection IP 67

temperature limit:
90°C for the connector; 180°C
for the cable

RTD extension cable with moulded on (IP67) 4 pins connector
with M12 female screw lock



CODE TO ORDER FROM STOCK:

PRV		AC		X	X	X
-----	--	----	--	---	---	---

CABLE LENGTH E=mm

1500	1500
3000	3000
5000	5000

TYPES

Straight	C
Elbow	D