

Temperature Measuring Transducer MU125



- Universal input for Pt100, Pt1000, thermocouple, NTC and resistance measurement value
- Configuration via front DIP switches
- Analog actual value output 4 .. 20mA
- Zero point and limit value can be adjusted via trim potentiometers on the front
- With Pt100 and Pt1000 sensors, monitoring of sensor break and short-circuit
- Wide-range mains adapter or 24 V DC
- Optional supply via carrier rail bus
- Removable coded screw terminals or optional push-in terminals
- Housing width 12.5 mm
- Carrier rail mounting TS35 EN60715

Characteristics

Devices of the MU125 series convert a temperature measurement value or resistance measurement value from various sensors to a current signal of 4..20mA. The universal configurability of the measuring inputs reduces the stock requirement for various applications. The housing width of only 12.5 mm enables space-saving installation in the switch cabinet.

Measurement inputs

Switchable via DIP switch:

	Measuring range	Basic precision	Temperature deviation *)
Pt100	-50.. 50°C	0.4%	0.01%/K
	0.. 50°C	0.6%	0.02%/K
	0..100°C	0.4%	0.02%/K
	0..150°C	0.4%	0.01%/K
	0..200°C	0.3%	0.01%/K
	0..250°C	0.3%	0.01%/K
	0..300°C	0.2%	0.005%/K
	0..500°C	0.2%	0.005%/K
Pt1000	-50.. 50°C	0.4%	0.01%/K
	-30.. 70°C	0.4%	0.01%/K
	-20.. 40°C	0.4%	0.01%/K
	0.. 50°C	0.6%	0.02%/K
	0..100°C	0.4%	0.02%/K
	0..150°C	0.4%	0.01%/K
	0..200°C	0.3%	0.01%/K
	0..250°C	0.3%	0.005%/K
FeCuNi	0..250°C	1.0%	0.04%/K
	0..500°C	0.5%	0.03%/K
NiCrNi	-50..250°C	0.7%	0.05%/K
	0..500°C	0.5%	0.04%/K
	0..750°C	0.4%	0.03%/K
	0..1000°C	0.3%	0.02%/K
	0..1250°C	0.3%	0.02%/K
PtRhPt	0..1500°C	1.0%	0.04%/K
	0..100°C	1.0%	0.01%/K
NTC R ₂₅ =10kΩ B _{25/85} =3977K	0..100°C	1.0%	0.01%/K
	-20.. 50°C	1.5%	0.01%/K
NTC R ₂₅ =10kΩ B _{25/85} =3977K	0.. 100°C	1.0%	0.01%/K
	0.. 100°C	1.0%	0.01%/K
Resistance linear**)	0.. 2kΩ	0.3%	0.005%/K
	0.. 5kΩ	0.5%	0.01%/K
	0..10kΩ	0.3%	0.005%/K

*) Measurement deviation depending on the environmental temperature in the switch cabinet (-10..+60°C)

**) Adjusting zero point and limit value via the integrated trim potentiometers makes it possible to also connect KTY sensors for these measuring ranges. The linearisation must then be accomplished with the help of a parallel resistor.

(Special measurement ranges available on request)

Product information

Industrial electronics

Technical data

Wide-range power supply

Supply voltage : 20..125VDC and
 20..250VAC (47..63Hz), max.1.5W

24V power supply

Supply voltage : 24V DC +/-15%, max. 1.5W

Combined data

Rated voltage : 253V AC
 Test voltage : 3kV AC between
 supply // input = output
 Working temperature : -10..60°C
 Storage temperature : -20..80°C
 Humidity : 10..90% (no condensation)

Measurement inputs

Pt100 : linearised,
 measuring current approx. 1.6mA
 Pt1000 : linearised,
 measuring current approx. 130µA
 In the event of a sensor break or short
 circuit, the analog output drops to 0mA.
 The operation LED blinks red
 Thermocouple : linearised with comparison position
 compensation
 (optionally without internal
 compensation)
 NTC : linearised for $B_{25/85}=3977K$ or $3528K$
 Max. load 200µW (averaged)
 Linear resistance : Mb. 0..2kΩ: approx. 1.4mA
 Mbs. 0..5kΩ, 0..10kΩ: approx. 300µA
 Zero point setting : +/-40% of the factory measuring range
 (= end value – start value)
 via 12-turn trim potentiometer

End value
 reduction : -50% based on the factory end value
 via 12-turn trim potentiometer
 Note: The measuring accuracy drops
 proportionally with the narrowing of the
 measuring range

Potentiometer setting
 limits : Limitation of the aforementioned
 adjustment ranges
 Pt100 -50..500°C (..600°C)
 Pt1000 -50..250°C (..300°C)
 FeCuNi -100..500°C (..800°C)
 NiCrNi -150..1250°C
 PtRhPt 0..1500°C (..1600°C)
 NTC (10kΩ) -20..100°C (..150°C)
 NTC (2kΩ) -40..100°C (-50°C..150°C)
 R linear 0..10kΩ
 (values in parentheses apply for optional,
 customer-specific special measuring
 ranges that are configured at the factory)

Analog output : 4..20mA, max. burden 400Ω,
 no galvanic isolation
 from the input signal
 (max. burden error of 0.2% at 400Ohm)

Dimensions (WxDxH): 12.5 x 114 x 108mm

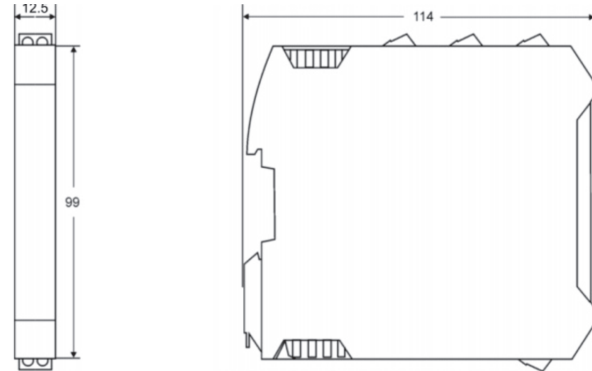
TEMPCO sa www.tempco.be tempco@tempco.eu tel: +32 4 2649458

Weight : 120g
 Protection rating : IP20
 Screw terminals : 0.2..2.5 mm², AWG 24..14,
 removable, coded
 Push-in terminals : 0.5..1.5 mm², AWG 25..16,
 (spring-type Double connection (12A between
 terminals) the connections), removable, coded
 Power Rail : 8A over the entire bus system
 (power supply via removable terminals
 0.2..2.5 mm², AWG 24..14)

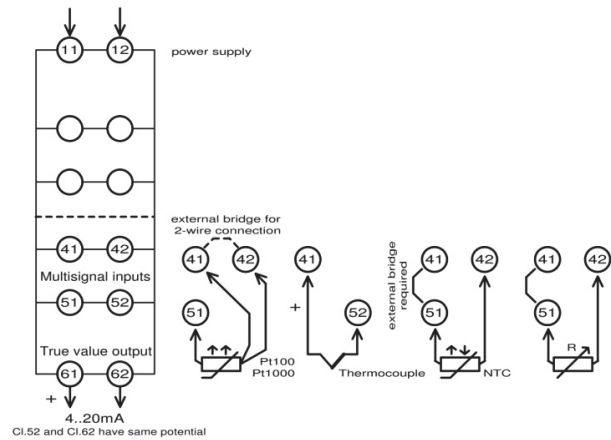
A service mode for the trim potentiometers on the front offers the following possibilities:

- 1) A check of whether potentiometers are positioned at the calibrated factory settings
- 2) The pre-adjustment of a new output characteristic curve only with connection of a current measuring device. (a temperature calibrator is not necessary)
- 3) Specification of a constant value at the current output, e.g. in order to test the reaction of connected devices. (Limited range from 5.6..20mA)

Dimensions



Connection diagram



Ordering code

MU 1. - 2.

	125LP	Supply voltage:24V DC +/-15% with carrier rail bus connection *)
	125M	Wide-range mains adapter 20..125VDC / 20..253V AC
4.	Options	
	00	No options
	01	Push-in terminals (plug-in)

*) see separate Power-Rail information sheet