

GHM GROUP - Martens | GHM Messtechnik GmbH
Kiebitzhörn 18 | 22885 Barsbüttel | GERMANY
Phone +49 40 67073-0 | Fax +49 40 67073-288
www.ghm-group.de | info@ghm-group.de

Martens

Member of GHM GROUP

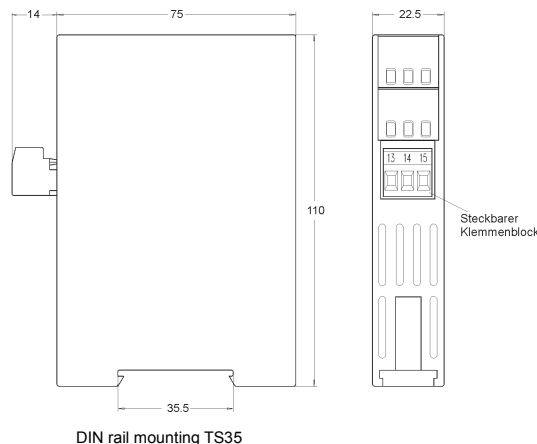
Isolating Converters

Product Information

Isolating Switching Repeater TS500-Ex



Dimensions



Characteristics

Isolating switching repeater TS500-Ex can be used for monitoring and controlling digital signals out of the hazardous area. The intrinsically safe input is suitable for switching contact, proximity switch according to Namur DIN EN 60947-5-6, or passive electronic outputs of other devices. The devices must be installed out of the Ex-area because only the input is intrinsically safe.

Technical data

Explosion protection

Certification : DMT 99 ATEX E 079
Approval : ATEX II (1) G [Ex ia] IIC/IIB or (1) D [Ex iaD]

Power supply

Supply voltage : 230 V AC $\pm 10\%$, 47..63 Hz
24 V $\pm 15\%$

Power consumption : < 2 W

Operating

temperature : -10..+55 °C
CE-conformity : ATEX-directive 2014/34/EU
Standards : EN 60079-0:2006, EN 60079-11:2007
EN 60079-26:2004, EN 61241-0:2006
EN 61241-11:2006

EMC-directive : 2014/30/EU / EN 61326-1:2013

Inputs (intrinsically safe)

Namur (acc. to DIN EN 60947-5-6)
- No load voltage : approx. 8 V
- max. current : approx. 8 mA
- Switching points : inactive ≤ 1.2 mA, active ≥ 2.1 mA, hysteresis approx. 0.5 mA
- Break of wire : ≤ 0.1 mA
- Short circuit : ≥ 7.5 mA

Switching contact

Output

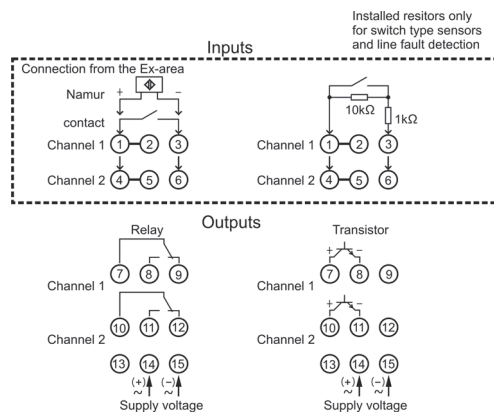
Relay SPDT : < 253 V AC < 100 VA < 2 A;
< 100 V DC < 50 W < 2 A
- max. frequency : 5 Hz
- max. delay : 20 ms (2-channel: 50 ms)
Transistor : max. 35 V DC, max. 50 mA, voltage free (short-circuit-proof), safety voltage 253 V AC/125 V DC
- voltage drop : ≤ 3.5 V active (at load 50 mA)
- max. frequency : 2 kHz

Case

Design : standard case, Makrolon 8020 UL94V-1
Weight : approx. 200 g
Electrical connection: screw terminals, max. 2.5 mm²
Protection class : case IP30, terminals IP20 acc. to BGV A3

More details see user manual

Connection diagram



Ordering code

TS500-Ex - ia - 1. - 2.

| 1. Output | |
|-------------------|------------------------------|
| 1R | 1-channel relay output |
| 2R | 2-channels relay output |
| 1T | 1-channel transistor output |
| 2T | 2-channels transistor output |
| 2. Supply voltage | |
| 0 | 230 V AC $\pm 10\%$ |
| 5 | 24 V DC $\pm 15\%$ |