

**Product information**

# Bar Graph Display BA7224N



- Universal version for 0/4..20 mA, 0..10 V DC
- Red LED indicator (optionally green)
- Vertical and horizontal installation
- All areas can be selected via connecting terminal
- Display area adjustable via potentiometer

**Characteristics**

Series BA bar graph displays are especially well suited for representing continuously changing measurements. With their small design, they can be easily integrated into control panels and diagrams.

The version BA7224N is especially well-suited for processing input signals 0/4..20 mA, 0..10 V DC (limit value adjustable from 5..50 V DC). Adaptation to the corresponding input signal takes place via the connecting terminal. The display zero point and limit value can be adjusted via separate potentiometers.

**Technical data**

**Auxiliary power**

- Auxiliary voltage : 24 V DC ± 10 % isolated
- Power consumption : approximately 1.5 VA
- Operating temperature : 0..+60 °C
- CE-conformity : EN 61326-1:2013; EN 61010-1:2010

**Measurement input**

- Current input : 0/4..20 mA,
- Voltage input : 0..10 V DC (adjustable limit value)
- Input resistance : Ri at: 10 V = 100 kΩ, 20 mA = 100 Ω

**Accuracy**

- Resolution : 20 digit
- Basic precision : +/- 1 digit
- Temperature coefficient : 100 ppm/K

**Display**

- Range : 20 segments
- Colour : red, optionally green

**Housing**

- Housing : DIN 72 x 24 mm, installation depth 106 mm
- Design : PC/ABS blend, black colour, UL94V-0  
Panel aperture 66 x 21 mm
- Fastening : locking screw element for wall thickness up to 50 mm

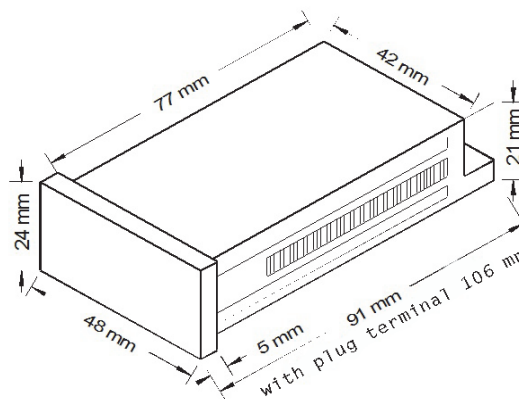
**Weight**

- Weight : 80 g
- Connection : rear plug terminals, max. 1.5 mm<sup>2</sup>  
Protection class IP00

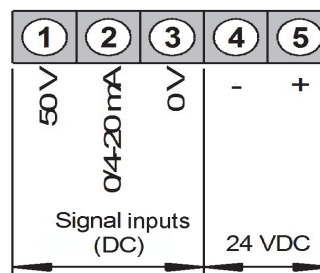
**Ingress protection**

- Ingress protection : Front IP54 or IP65

**Dimensions**



**Connection diagram**



**Ordering code**

1. 2. 3. 4. 5. 6. 7.  
BA  -  -  -  -  -  -

<b>1. Construction</b>	7224N	20 segments
<b>2. Installation</b>	1	Vertical
	2	Horizontal
<b>3. Bar colour</b>	1	Red display
	2	Green display
<b>4. Auxiliary voltage</b>	5	24 V DC with electrical isolation
<b>5. Input signal</b>	0	Universal version
<b>6. Measuring range scale 0..100 %</b>	10	Universal version
<b>7. Ingress protection</b>	1	IP54
	2	IP65