

Product Information

Monitoring devices

Current and Voltage Monitoring Relay CVG500



- Arithmetic average value measuring RMS calibrated (AC) or DC
- Contact function min/max selectable
- Hysteresis and time delay adjustable

Characteristics

CVG500 monitoring relays can be used for monitoring current or voltage levels. The standard model is designed for input 0...1/5 A and 0...125/250 V AC/DC. Models with inputs in range of 0...1 mA/5 A AC/DC or 0...50 mV/400 V AC/DC are available.

Technical data

Power supply

- Supply voltage : 230 V AC ±10 % or 24 V DC -30/+40 %
- Frequency AC : 47..63 Hz
- Power cons. : < 3 VA
- Operating temp. : -10..+50 °C (-25 °C..+70 °C on request)
- CE-conformity : EN 61326-1:2013
EN 60664-1:2007

Inputs

- Scale error : ≤ 2 %
- Frequency AC : 40..200 Hz (other ranges on request)

Standard ranges

- Current : 0..1 A and 0..5 AAC (sinusoidal) or DC
- Ri : 20 mΩ (5 A input) or 100 mΩ (1 A input)
- Over-load : 2-times, 4-times for max. 5 seconds
- Voltage : 0..125 V and 0..250 V sinusoidal or DC
- Ri : 600 KΩ (125 V input) or 1.2 MΩ (250 V input)
- Over-load : max. 300 V AC/DC

Custom ranges

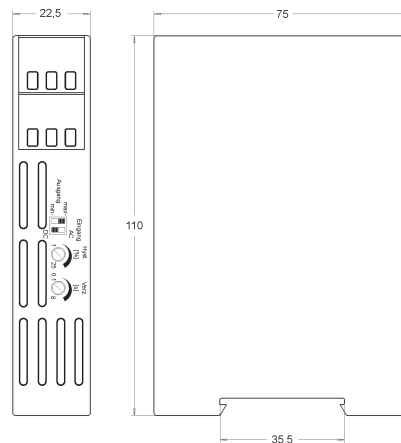
- Voltage : end value in the range 0.05..400 VAC/DC
- Ri : 4.8 kΩ/V
- Over-load : 5-times nominal voltage, max. 500 V AC / DC
- Current : end value in the range 0.001..5 AAC/DC
- Ri : = 100 mΩ ÷ (measuring range [A])
- Over-load : 2-times, 4-times for max. 5 seconds

Output

- Relay SPDT : 250 VAC < 250 VA < 2 A; 100 V= < 50 W < 1 A
- Switching function: min. / max. selectable
- Hysteresis : 1..25 %
- Time delay : 0.1..8 seconds

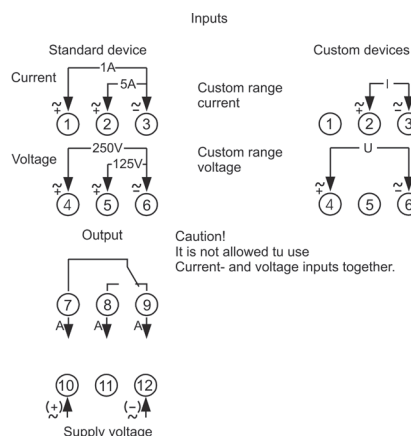
- Case** : standard case polycarbonate 8020 UL 94 V-1 acc. to DIN EN 60715:2001-09, DIN rail TS35
- Weight** : approx. 200 g
- Protection class** : case IP30, terminals IP20, (BGV A3)
- Connection** : screw terminals, max. 2.5 mm²

Dimensions



DIN rail mounting TS35

Connection diagram



Ordering code

CVG500 - 1. - 2. - 3.

1. Current measuring ranges	
0	not installed (at custom range voltage)
1/5	standard range 0..1 A and 0..5 A AC/DC
	custom range state in clear text
2. Voltage measuring ranges	
0	not installed (at custom range current)
125/250	standard range 0..125 V and 0..250 V AC/DC
	custom range state in clear text
3. Supply voltage	
0	230 V AC ±10 %
5	24 V DC -30..40 %