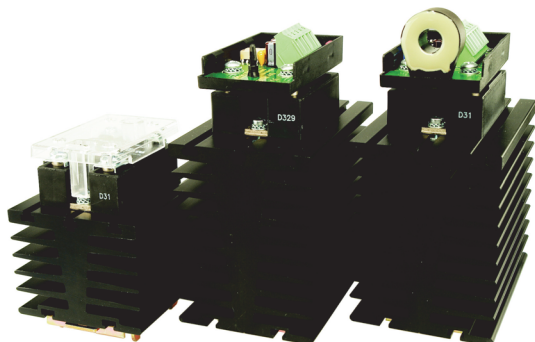


Product Information

**Power Module
Series LM**



Module dimensions [mm]

Type	A	B	depth
LM-20-0-00	93		75
LM-20-STM-00		116	75
LM-20-H2CM-00		129	75
LM-40/80-0-00	130		100
LM-40/80-STM-00		153	100
LM-40/80-H2CM-00		165	100

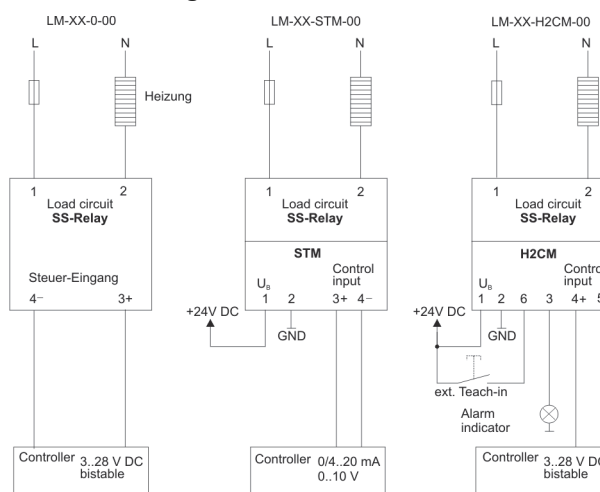
Characteristics

- Load current 20, 40, and 80 A
- Full 2-port isolation
- Additional mounted modules:
Current-Alarm module H2CM
and continuous drive module STM40
- DIN rail mounting TS35

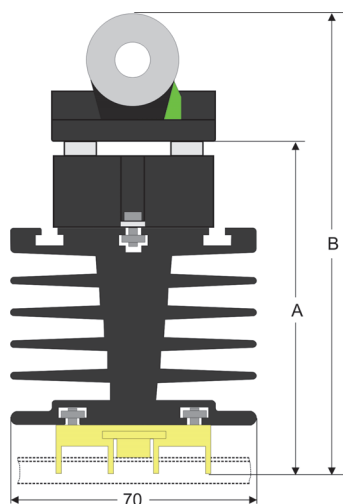
Technical data

Look at the data sheets solid state relay (SSR) and heat sinks (K20/K40).

Connection diagrams



Dimensions



Ordering code

LM - 1. - 2. - 3.

1. Load current at 45 °C and 100 % duty cycle	
20	Max. 20 A AC
40	Max. 40 A AC
80	Max. 80 A AC
2. Additional accessories	
0	without (terminal cover included)
H2CM	with current alarm module
STM	with continuous control module
3. Options	
00	without option