

APPROVED IN ACCORDANCE WITH SAFETY STANDARD AND FIRE PREVENTION

Level controls designed to meet:
Safety standard under the provisions of **Circular 08/31/78 N. 31/M.I.S.A (78) 11 point 3.2.4 letter "b"**.
Test report **N. 3704/938/383/23/24-R**
Safety and Low Voltage Directive **2006/95/EC IEC EN 61010-1**
Tests report **55790TRFSAF**

Designed for use on storage tanks and installations on board of electrical power generators

GENERAL CHARACTERISTICS

- Up to 6 switch points.
- Up to 6 m length.
- Brass design.
- Working pressure up to 20 bars.
- Operating ambient temperature -30/+55°C UR 90%.
- Standard working temperature up to 105°C.
- Designs for 120 °C on request.
- Minimum degree of protection IP65.



FLOATS

Tab.1

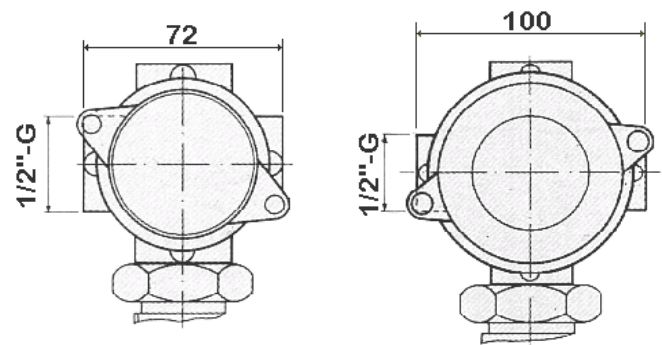


Material	Spansil – Butadiene - Acrylonitrile Copolymer				
S.G.	0,4		0,35		
Contact	3	7D	3	4	7
Max N.	6	6	6	4	3
Max. bar	20				
Max. °C	L = 105 °C				
On request	M = 120 °C				

ELECTRICAL OUTPUT

Tab.2

A1	A2
IP65 housing	IP65 housing
5 terminals	18 terminals



ELECTRICAL CONTACTS

Tab.3

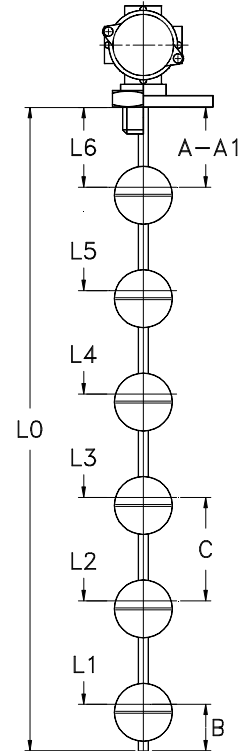
TYPE	POWER		VOLTAGE		CURRENT	
	VA	W	AC	DC	AC	DC
SPST	3	70	300	350	0,5	0,7
SPST	4	80	250	250	1,3	1,3
SPDT	7	60	230	230	1	1
SPDT	7D	20	150	150	0,5	0,5

PROCESS CONNECTIONS

Tab.4

	Installation from outside			
	25	32	40	FOHX
Float type	1"	1 1/4"	1 1/2"	Ø70 flange 6 holes Ø 4,5
B20	•	•	•	•
B45	•	•	•	•
Thread	Available materials			
G	O	S		
Parallel	Brass	AISI-316		
UNI 228/1 - Male				

A Flanged connection
A1 Threaded connection



WIRING

Tab.5

I	Independent	Separately wired contacts	1	NO	Contacts status in no level conditions
C	Common	Common wired contacts	2	NC	
S	Custom	Contacts wired on customer request	3	SPDT	

SWITCH POINTS

Tab.6

The switch points L1 ÷ L6 are measured from the stop of the fitting or flange connection. General tolerances on switch points ± 3 mm.

	B20		B45		
	A	15	30	35	
A1	30		45	50	
B	20		35	40	
C	40		65	75	
Contact type	3	7D	3	4	7
Max. N. of contacts	6	6	6	4	3

Minimum distance in mm.

NOMENCLATURE

M2	B45	4	0500	O	25	G	O	A1	L	I22	L1÷L6
•											
	•										
		•									
			•								
				•							
					•						
						•					
							•				
								•			
									•		
										•	
											•

	Number of contacts S1 / M2=M6
Tab.1	Float
Tab.3	Electrical contact
-	Total length = L0 in mm. (See drawing)
Tab.4	Rod material
Tab.4	Process connection dimension
Tab.4	Process connection thread
Tab.4	Process connection material
Tab.2	Electrical output
Tab.1	Temperature class
Tab.5	Wiring and contact status
Tab.6	Switch points (mm)

