

GENERAL CHARACTERISTICS



Level controls with 1 electrical contact, reliable, compact and easy to install. Designed to offer a range of level switches to meet the request for a cheap monitoring of the level in small tanks. Rugged construction and low maintenance.

- **Stainless steel – AISI 316**
- Easy mounting, threaded or flanged.
- Hermetic and replaceable electrical contact.
- Operating ambient temperature -30 / +55 ° C - 90% R.H.
- Minimum degree of protection IP65.



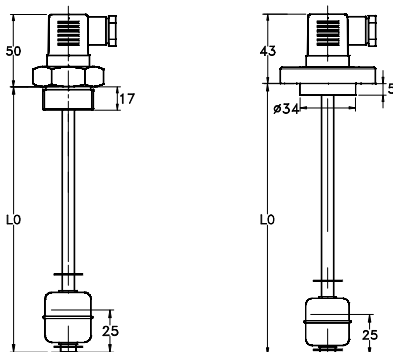
TECHNICAL DATA

Tab.1

		Description								Codice
Float	Ø 30 x 32 mm				P.S. 0, 75	30 Bar			S29	
	Ø 30 x 32 mm				P.S. 0, 55	10 Bar			S32	
Rod length L0 mm	0100	0150	0200	0250	0300	0350	0400	0450	0500	L0.S
Process connection	Threaded		1" UNI 228/1 male thread				SW 40		25GS	
	Flanged		Double fixing (2 or 3 holes)				Ø 55 mm		FSPX	
Process connection	SPST	N.C.	N.A.	Overturning the float of 180°		300 VAC 350 VDC	50W	70VA	0,5A 0,7A	3
	SPDT	Changeover contact			150V	20W	20VA	0,5A	7D	
Electrical output	DIN 43650 plug					IP 65				S1
Max. temperature °C						105°C				L
Sealing gasket						Viton flat gasket				2

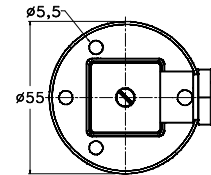
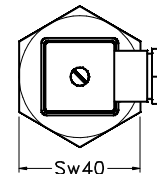
DIMENSIONS

Tab.2



Threaded version
1" UNI-228/1 male

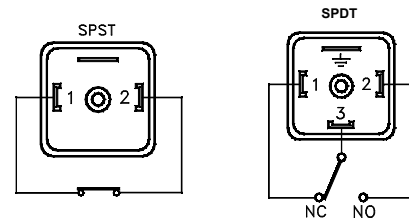
Flanged version
2 holes on Ø43 mm
3 holes on Ø42 mm



WIRING

Tab.3

I = Independent C = Common 2 = NC 3 = SPDT
Wiring Contact status in no level condition



NOMENCLATURE

S1	S29	3	0500	S	25GS	S1	L	2	I2
•									
	•								
		•							
			•						
				•					
					•				
						•			
							•		
								•	
									•

Type
Tab.1 Float
Tab.1 Electrical contact
Tab.1 Total length = L0 mm.
Tab.1 Rod material
Tab.1 Process connection
Tab.1 Electrical output
Tab.1 Temperature class
Tab.1 Sealing gasket
Tab.3 Wiring

