

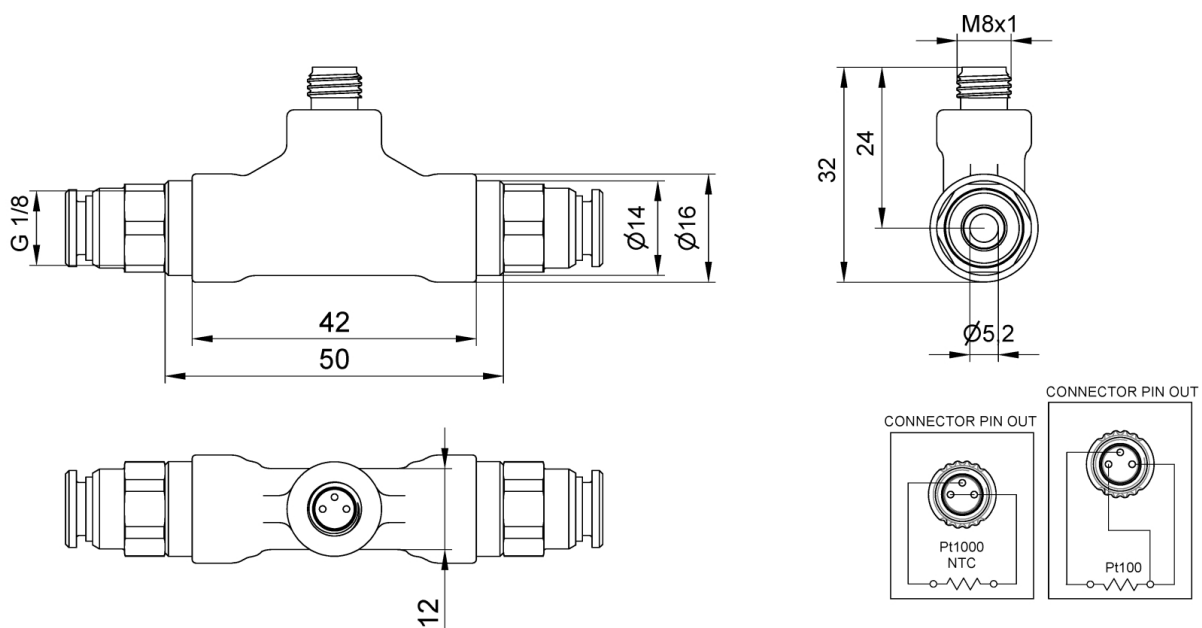
## TBT18G

Rev. 0 - 16/05/2024

# TEMPERATURE PROBE FOR IN-LINE FLUIDS MEASUREMENT

Allows the fluid temperature to be measured without intruding into the tube

- Pt100, Pt1000 or NTC thermistor sensing element
- internal stainless steel body, external part in tehermoplastic material
- G1/8" process connection (suitable for tubes  $\varnothing 4 - \varnothing 6 - \varnothing 8$  mm)
- M8x1 electrical connection
- IP 67 protection degree



## TECHNICAL SPECIFICATION

<b>Sensing element</b>	NTC R(25°C)=10Kohm ±1%, beta(25/85)=3977, Sensing Element configuration single 2-wire NTC R(25°C)=10Kohm ±1%, beta(25/85)=3435, Sensing Element configuration single 2-wire Pt100 Ω @ 0°C, Sensing Element configuration single 3-wire Pt1000 Ω @ 0°C, Sensing Element configuration single 3-wire
<b>Accuracy class in accordance to IEC751 (*)</b> (* ) The accuracy class is valid only in the temperature range indicated by the norm	cl. B
<b>Insulation resistance</b>	100 M Ω@ 250 Vdc.
<b>Response time (*)</b> (* ) test in water in accordance with IEC 751. Time taken to reach 63.2% of temperature step	< 1 seconds
<b>Sensing element operating temperature range</b>	-40 ÷120°C
<b>Maximum working pressure (*)</b> (* ) unless otherwise specified, it refers to room temperature	PN 20 BAR
<b>Female reduction for process connection</b>	- 1/8" GAS CIL. Female
<b>Sheet material</b>	THERMOPLASTIC WITH ADDED FIBREGLASS INOX
<b>International protection marking (*)</b> (* ) According to IEC 60529	IP67

ITALCOPPIE SENSORI srl

Via A. Tonani, 10 - Fraz. S. Giacomo al Campo  
26030 Malagnino (CR) - Italy

[www.italcoppie.com](http://www.italcoppie.com)

