

## bourdon tube pressure gauges anti-vibration version DS 2" (50mm)



PED 2014/68/EU

Instruments designed for use on power units, pumps, hydro-cleaning machines, presses, engine compressors, turbines, diesel engines, chemical, petrochemical and refrigerating plants and on machines and equipment where pulsating pressures or mechanical vibrations are apparent. They can be used with gaseous or liquid media which do not corrode copper alloy and which do not have high viscosity or do not cristalize.

### 1.10.2 - Fillable Model

**Design:** EN 837-1.

**Ranges:** from 0...30 to 0...6000 *psi* (from 0...2,5 to 0...400 bar)

**Accuracy class:** 1,6 as per EN 837-1.

**Ambient temperature:** -13...+149°F (-25...+65 °C).

**Process fluid temperature:** +248°F (max +120 °C).

**Thermal drift:** max ±0,4 %/10 °C of ranges (starting from +68°F - 20°C).

**Working overpressure:**

75% of FSV for static pressure;

66% of FSV for pulsating pressure;

**Overpressure (max 15 min):**

25% of FSV of ranges ≤ 1450 *psi* (100 bar);

15% of FSV for ranges over 1450 *psi* (100 bar).

**Protection degree:** IP 65 as per IEC 529.

**Socket material:** copper alloy.

**Bourdon tube:** copper alloy.

**Case:** stainless steel.

**Window:** plastic.

**Movement:** copper alloy.

**Dial:** aluminium,white with black markings.

**Pointer:** not adjustable, aluminium,black

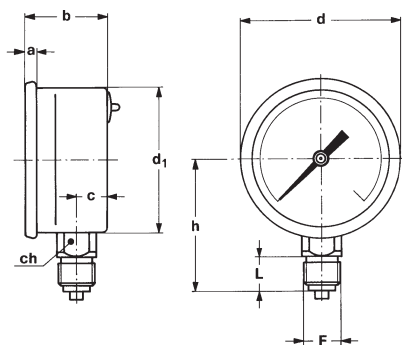
### 1.10.3 - Filled Model

**Damping liquid:** glycerine 98%.

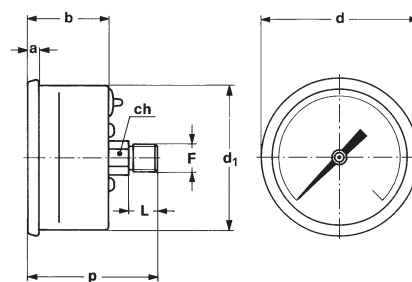
**Ambient temperature:** +32...+149°F (0...+65 °C).

**Process fluid temperature:** +149°F (max +65 °C).

**Other features:** as fillable model.



**A - LOWER CONNECTION**



**D - BACK CONNECTION**

| Mounting | F                       | a     | b     | c     | d     | d <sub>1</sub> | h             | p     | L             | ch    | Weight (1) |
|----------|-------------------------|-------|-------|-------|-------|----------------|---------------|-------|---------------|-------|------------|
| Lower    | <b>21M</b> - G 1/4 A    | 0.15" | 1.14" | 0.43" | 2.20" | 2.00"          | 1.87" - 1.94" |       | 0.51" - 0.59" | 0.55" | 0.22 lbs   |
|          | <b>23M</b> - 1/4-18 NPT | (4)   | (29)  | (11)  | (56)  | (51)           | (47,5 - 49,5) |       | (13 - 15)     | (14)  | (0,1 kg)   |
| Back     | <b>11M</b> - G 1/8 A    | 0.15" | 1.14" |       | 2.20" | 2.00"          |               | 1.81" | 0.39"         | 0.47" | 0.18 lbs   |
|          | <b>13M</b> - 1/8-27 NPT | (4)   | (29)  |       | (56)  | (51)           |               | (46)  | (10)          | (12)  | (0,085 kg) |

dimensions : inches (mm)

(1) add 0.09 lbs (0,045 kg) when filled

**OPTIONS**

| Model   | fillable | filled |
|---|----------|--------|
| <b>B</b> - Clamp and ring for back connection pressure gauges | ◆        | ◆      |

**"HOW TO ORDER" SEQUENCE**

Section / Model / Case / Mounting / Diameter / Range / Process connection / Options

**1**    **10**    **2**    **A**    **B**    **11M**    **B**  
                                  **3**    **D**    **13M**  
    **21M**  
    **23M**

