



MGS9/367

diaphragm seal for DS 2.5" (63mm) pressure gauges, with threaded connection



Diaphragm seals are designed to isolate the sensing element of pressure gauges DS 63 and electronic transmitter from process fluids which may be corrosive, viscous, sedimentous and/or with a high temperature. The diaphragm is welded to the top housing and leak proof tested, to guarantee a separation between process fluid and fill transmission fluid. This construction feature and its compact design suits many application that require frequent maintenance.

4.367 - MGS9/367

Working pressure : *from 0...600 to 0...6000 psi (from 0...40 to 0...400 bar).*

Process temperature: *-49...+302°F (-45°C...+150°C).*

Accuracy*: (add to instrument accuracy) $\pm 1\%$ for direct mounting only.

Diaphragm: welded,

4 - AISI 316 L st.st.

Process connection:

4 - AISI 316 st.st.

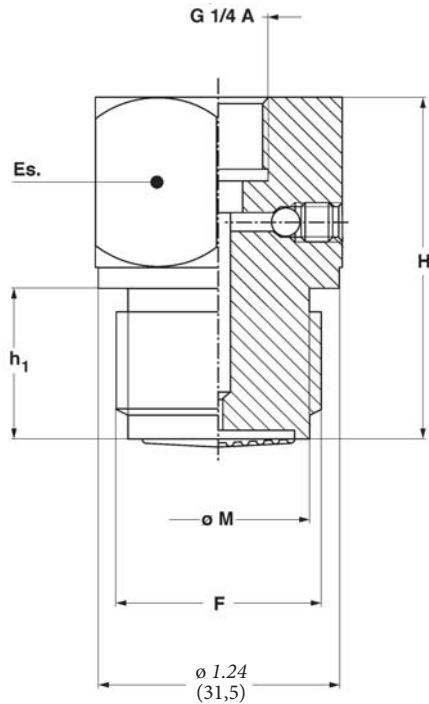
Filling liquid: silicone oil.

* at 68°F (20 °C) process temperature (or state temperature when ordering)

diaphragm seal for DS 2.5" (63mm) pressure gauges, with threaded connection

MGS9/367

MS-08/14



F	M	h ₁	H	Es.
51M	0.92"	0.62"	1.43"	1.25"
G 3/4 M	(23,5)	(16)	(36,5)	(32)

dimensions : inches (mm)

ASSEMBLING

D - All diaphragm seals are mounted directly on the instruments.

All diaphragm seals are mounted on the instruments and fixed by an aluminium protection label.

FILLING FLUIDS and process fluid temperature

Fluid	Vacuum	Pressure	Fluid	Vacuum	Pressure
Standard silicon oil	-40...+122°F (-40...+100°C)	-40...+302°F (-40...+150°C)	E - Fluorinated liquid "E"	-40...+212°F (-40...+100°C)	-40...+302°F (-40...+150°C)
B - Silicon oil "B"	-40...+302°F (-40...+150°C)	-40...+482°F (-40...+250°C)	F - Silicon oil "C"	-130...+176°F (-90...+80°C)	-130...+302°F (-90...+150°C)
C - Silicon oil "C"	-14...+392°F (-10...+200°C)	-14...+662°F (-10...+350°C)	G - Mineral food oil "G"	-14...+302°F (-10...+150°C)	-14...+392°F (-10...+200°C)
D - Silicon oil "D"	-14...+392°F (-10...+200°C)	-14...+752°F (-10...+400°C)			

OPTIONS

C05 - Helium Test

P04 - Dye penetrant test

"HOW TO ORDER" SEQUENCE

Section/Model/Connection material/Diaphragm material/Process Connection/Instrument connection/Assembling/Options

4 367 4 4 51M 21F - G 1/4 F D B...G
C05, P04

Copyright © Nuova Fima srl. All rights reserved. Any part of this publication should not be reproduced without a written Nuova Fima's srl approval

NUOVA FIMA USA Inc.
www.nuovafima.com - e-mail: infousa@nuovafima.com
4123 Hollister, Suite G - TX 77080 Houston
TEL. +1 713.690.9800 - FAX +1 713.690.9803

-2-

NUOVA FIMA srl
www.nuovafima.com - e-mail: info@nuovafima.com
P.O. BOX 58 - VIA C. BATTISTI 59 - 28045 INVORIO (NO) ITALY
TEL. +39 0322 253200 - FAX +39 0322 253232



IN ORDER TO IMPROVE THEIR PRODUCTION, MESSRS. NUOVA FIMA RESERVE THE RIGHT TO THEMSELVES TO MAKE ALL THE MODIFICATIONS THAT THEY DEEM INDISPENSABLE AT ANY TIME. UPDATED DATA SHEETS ARE AVAILABLE ON SITE: www.nuovafima.com