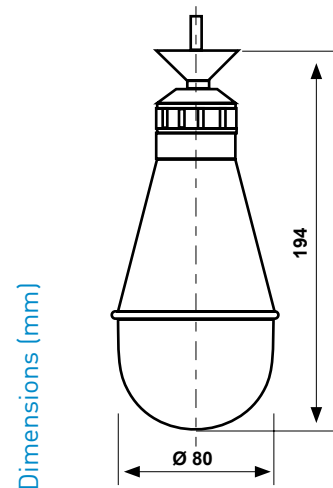


A94

Electromechanical submersible level controls for sewage

Designed to control water level in particular industrial sewage, waste water with suspended solids and turbulent water.



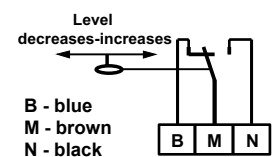
	Cable type	Cable length	Contacts rating	Maximum pressure	Maximum liquid temperature	Protection degree
A94C	PVC	5 mt	10A 250Vca	10 bar	60 °C	IP68
A94D	PVC	15 mt	10A 250Vca	10 bar	60 °C	IP68

ELECTRICAL FEATURES

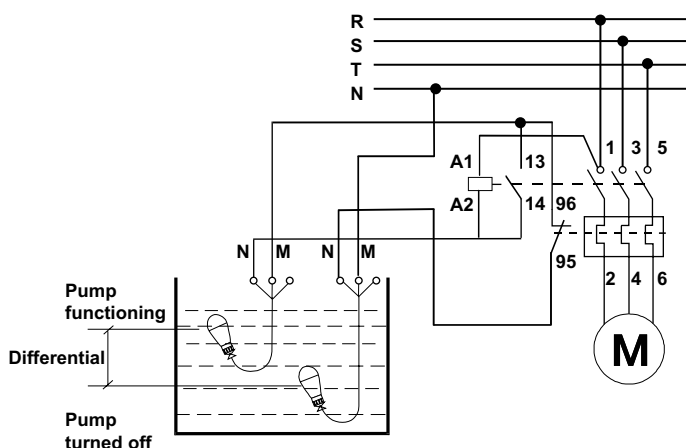
Electrical switch with multiple self-cleaning contacts, controls pump contactor's coil, is not suitable to control directly the motor.

Electrical cable of A05-VVF-RF 60 type with 3x1 mm² section for industrial water.

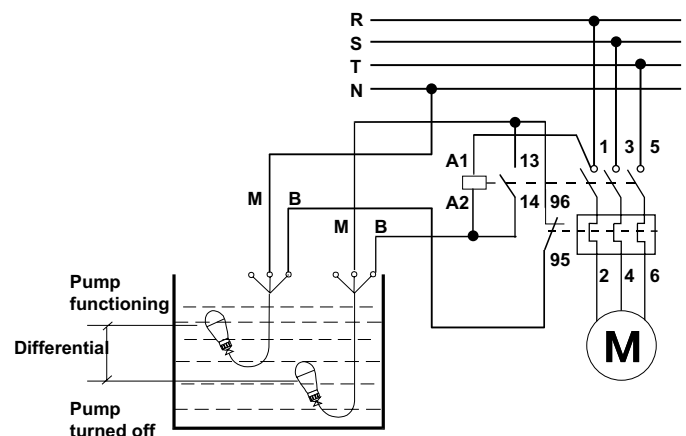
Double insulation 4kW.



WIRING DIAGRAM FOR EMPTYING PUMP



WIRING DIAGRAM FOR FILLING PUMP



HOMOLOGATION AND STANDARDS

Complies with EN 60730-2-16 standards.

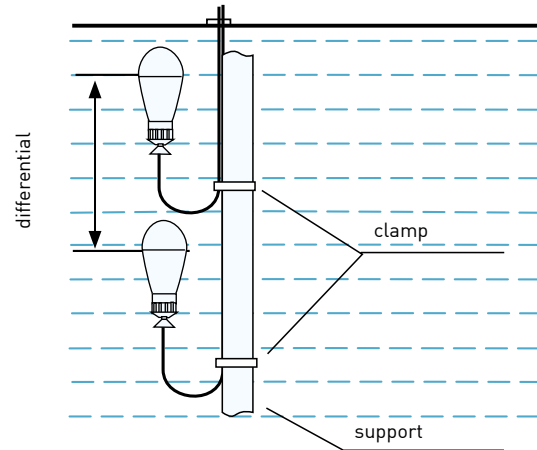
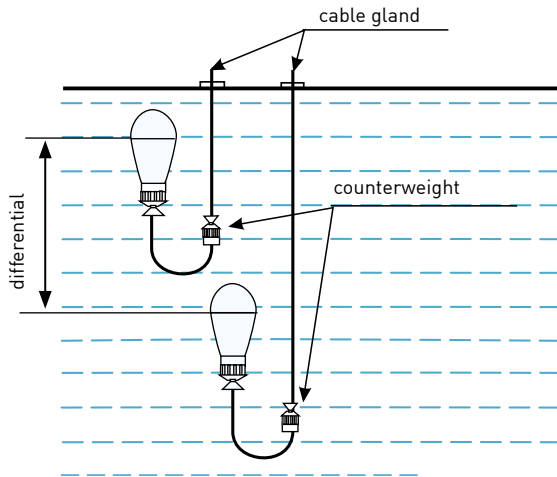
Conformity with CEE/CENELEC/HAR standards, recognized by all CEE members (Law no. 791 Directive 72-24 CEE).

INSTALLATION

To control a pump, two float switches are required: one for minimum level, another for the maximum level.

In case of signalling the minimum or maximum level, it can be used just one float switch.

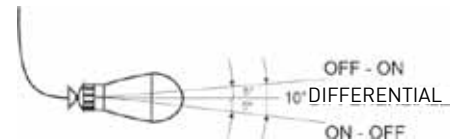
INSTALLATION EXAMPLE



OPERATION

To operate a pump, two controls are required: one for the minimum and one for the maximum level.

To provide minimum or maximum level alarm, only one control is needed.



FEATURES

Waterproof device.

Switching - mercury-free SPDT switch.

Sealed submersible float.

Moplen external body, blow moulded in a single piece.

Inner counterbalance located at the cable entry to ensure overturning.

Internally the float switch is filled with polyurethane foam, removing residual air particles and hermetically sealing the unit, simultaneously joining the float electrical switch.

Double insulation.

Test class: II.

Storage and transport temperature: $-25 \div 60$ °C.