

Multiport Gauge Valves

B.01.530-E-190412
www.tempco.be

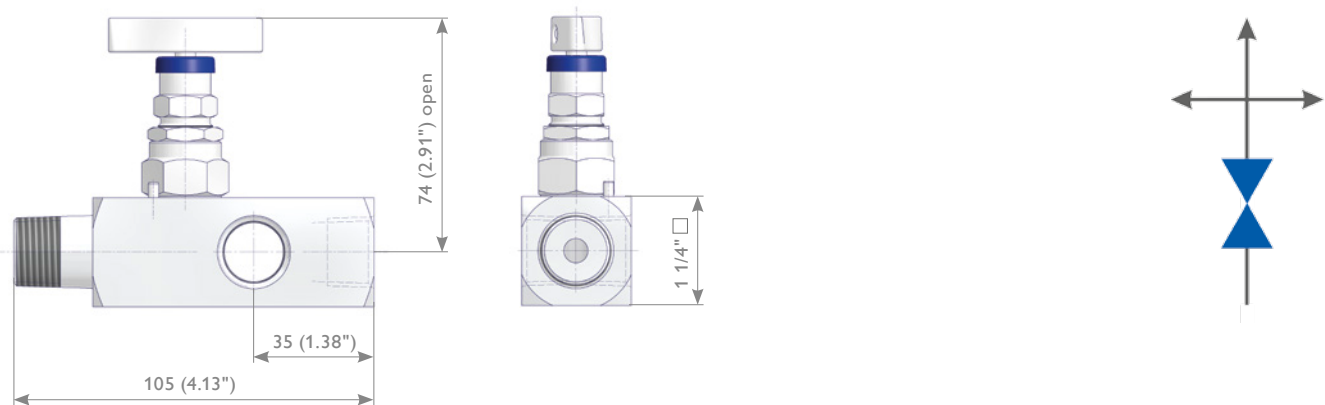
Multiport Gauge Valves

AS-Schneider Multiport Gauge Valves are designed for mounting to Pressure Gauges, Pressure Transmitters and Pressure Switches. The standard types are provided with 3 female outlet ports and are therefore suitable for vertical or horizontal installations.

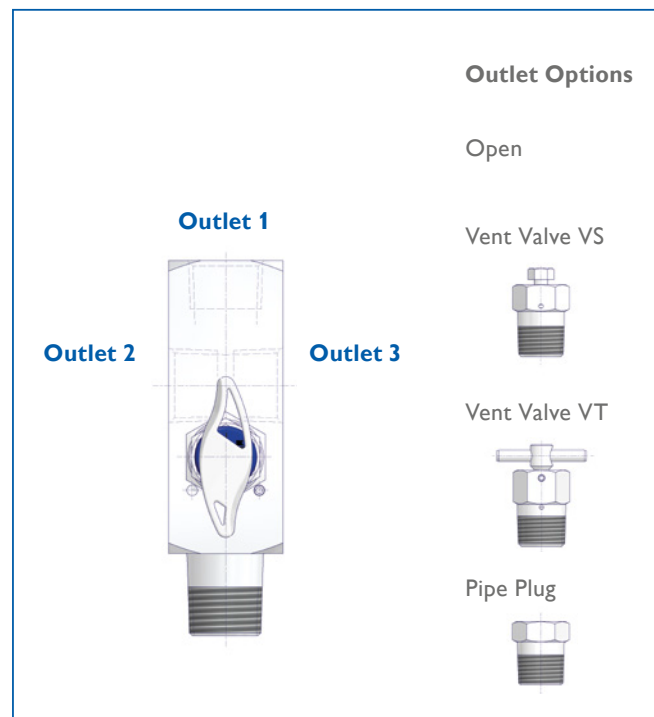
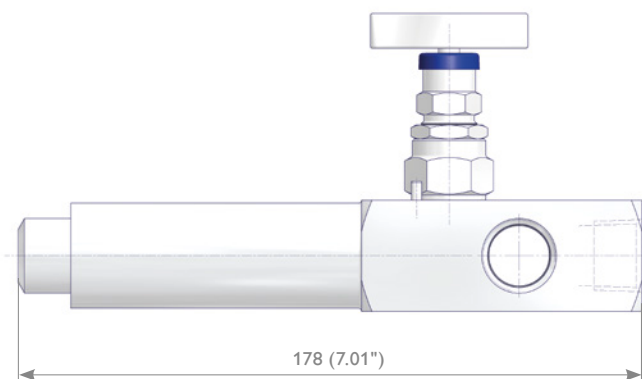
Accessories like Pipe Plugs and Vent Valves can be ordered separately or already factory installed – see also options next page – Ordering Information Multiport Gauge Valves. Accessories like Swivel Gauge Adaptors, Vent Valves etc. see Pages 48-53.

The dimensions shown apply only to the illustrated valves (1/2 NPT Threaded) – if you need the dimensions for your individual type or should you still not find your options at all please contact the factory.

Multiport Gauge Valve – Screwed Bonnet MAMA Type



Multiport Gauge Valve with Extended Body MXBA Type Extended by approx. 3"



Ordering Information

	1	2	3	4	5	6	7	8	9	10	11	12	13	14	15	16		
	M	A	B	B	S	A	-	6	P	N	4	-	S					
M	Multiport Gauge Valves																	
	Basic Design																	
A	Screwed Bonnet																	
F	OS&Y Bonnet																	
X	Extended Body (Screwed Bonnet)																	
	Inlet																	
M	Male				B	Butt Weld End												
F	Female				S	Socket Weld End												
	Outlet																	
A	3 x Female																	
B	Outlet 1 – Female, Outlet 2 – Pipe Plug, Outlet 3 – Vent Valve VS																	
C	Outlet 1 – Female, Outlet 2 – Pipe Plug, Outlet 3 – Vent Valve VT																	
D	Outlet 1 – Female, Outlet 2 and 3 – Pipe Plug																	
	Material																	
S	1.4401 / 1.4404 / 316 / 316L				F	Duplex UNS S31803				B	6Mo UNS S31254							
M	Alloy 400 UNS N04400				D	Super Duplex UNS S32750				T	Titanium Grade 2							
H	Alloy C-276 UNS N10276				V	Alloy 625 UNS N06625												
	Bonnet																	
A	PTFE				K	O-Ring FKM (FPM by ISO)												
B	Graphite				W	Carbon filled PTFE – TA-Luft												
D	ISO FE Series Type 1				2	Bellows sealed PN 100												
E	ISO FE Series Type 3				4	Bellows sealed PN 250												
	Inlet																	
	Thread Type				Butt Weld End													
N	NPT				4	1/2" Pipe												
H	BSP Parallel (G) – DIN 3852				6	3/4" Pipe												
	Inch Sizes				Wall Thickness Butt Weld													
2	1/4				P	Schedule 80												
4	1/2				Q	Schedule 160												
6	3/4				4	4.0 mm												
	Outlet																	
	Thread Sizes - Female Threads only																	
N2	1/4 NPT				H4	G 1/2 (1/2 BSP P) - DIN 3852												
N4	1/2 NPT																	
	Options - Specify in alphabetical order (digits first, then letters)																	
B	Cleaned and Lubricated for Oxygen Service – For PTFE Packing only																	
F	PCTFE Soft Tip																	
G	POM Soft Tip																	
S	Stellite Valve Tip																	
H	10,000 psi (689 bar) for PTFE Packing / 7,252 psi (500 bar) for Graphite Packing																	
P	Power Piping ASME B31.1 – For Graphite Packing only																	
K	Arctic Operations (-55°C (-67°F)) – For PTFE Packing only																	
M	Wetted Parts with 3.1 certificate																	
	Operation Options																	
J	Stainless Steel Handwheel with Locking Plate Design																	
T	Anti-Tamper Bonnet (Key to be ordered separately)																	
R	Anti-Tamper Bonnet (1 Key supplied per Valve/Manifold)																	
Q	AT-Key Lock Bonnet Design																	
U	Padlock for Anti-Tamper Bonnet / AT-Key Lock Bonnet Design																	
W	Stainless Steel Handwheel																	

Wetted Parts according to above mentioned material list are supplied according to NACE MR0175/MR0103 and ISO 15156 (latest issue) - except Titanium Grade 2.
 Note: Not every configuration which can be created in the ordering information is feasible / available.