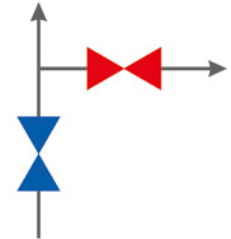
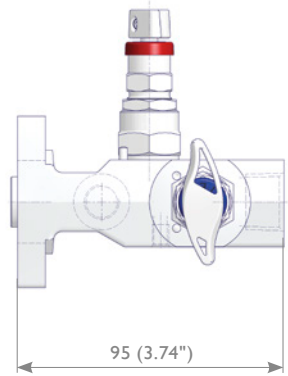
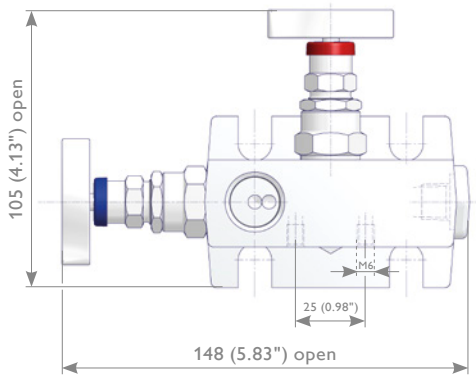


Direct Mount Manifolds - Traditional Style

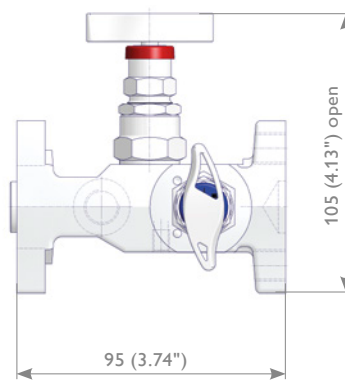
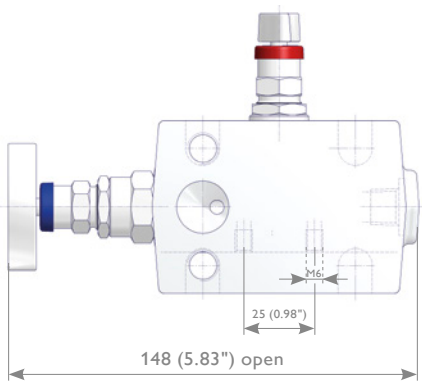
B.01.020-E-190416
www.tempco.be

Traditional Style Manifolds

2 Valve Manifolds – Female x Flanged T2A Type

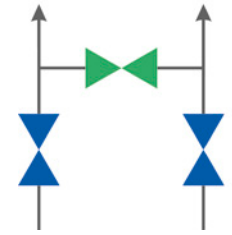
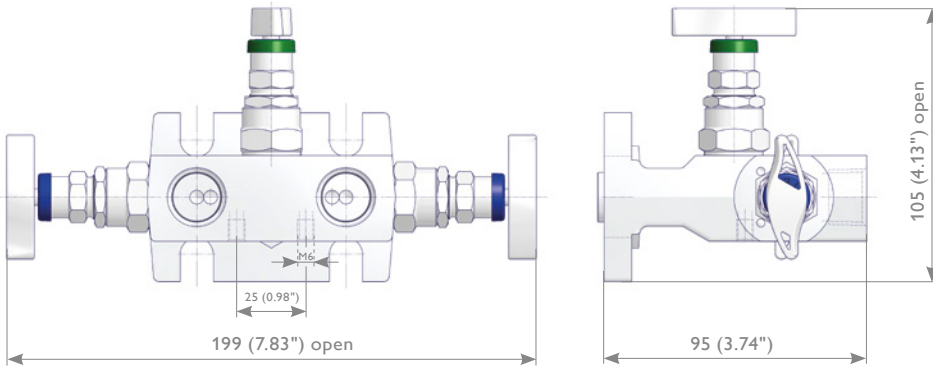


2 Valve Manifolds – Flanged x Flanged H2A Type

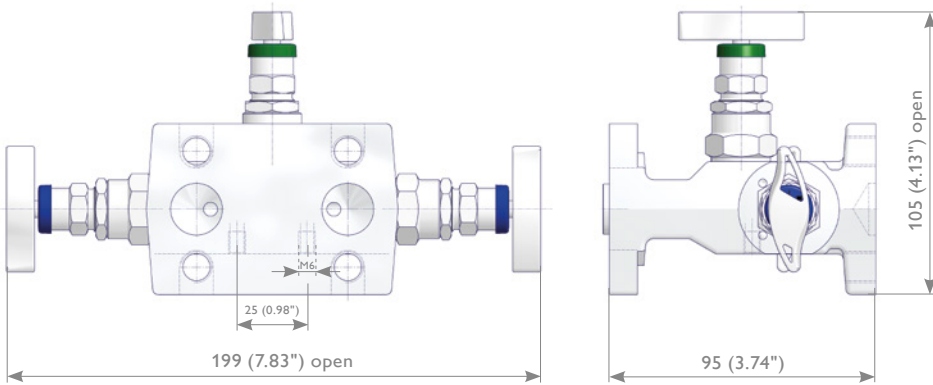


Direct Mount Manifolds - Traditional Style

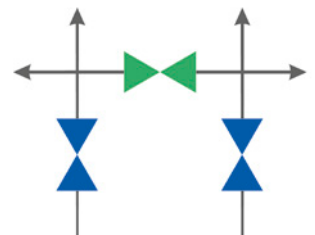
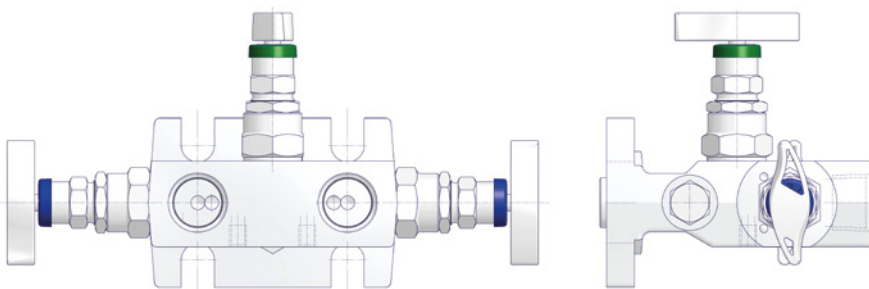
3 Valve Manifolds – Without Vent Connection T3A Type – Female x Flanged



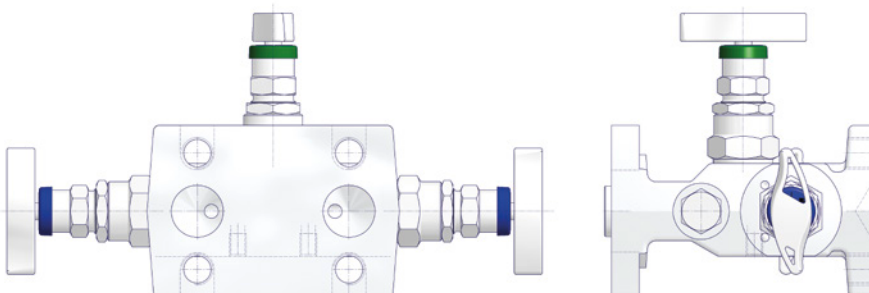
H3A Type – Flanged x Flanged



3 Valve Manifolds – With Vent Connection T3B Type – Female x Flanged

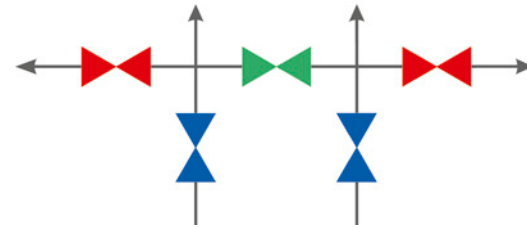
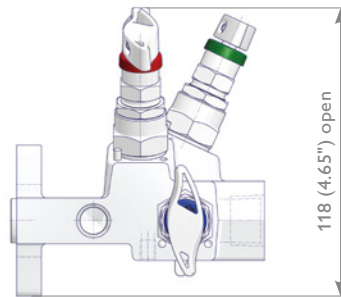
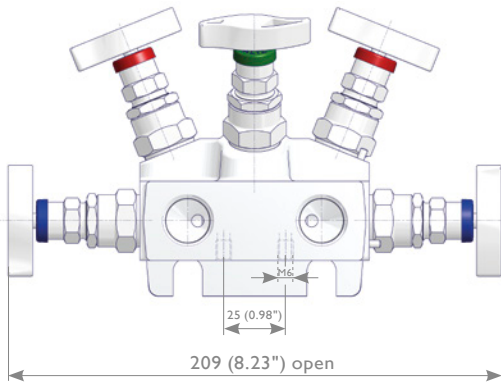


H3B Type – Flanged x Flanged

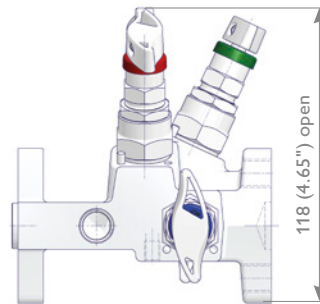
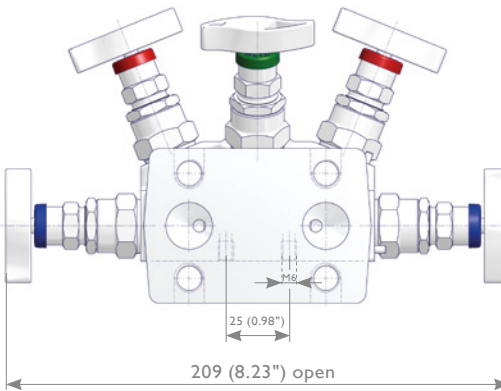


Direct Mount Manifolds - Traditional Style

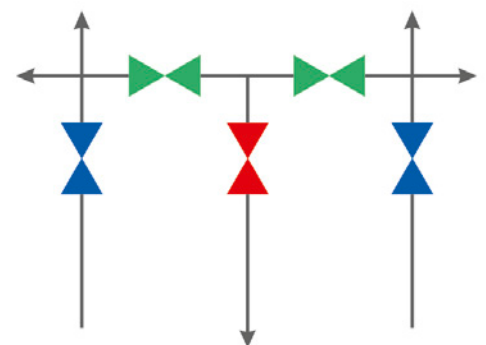
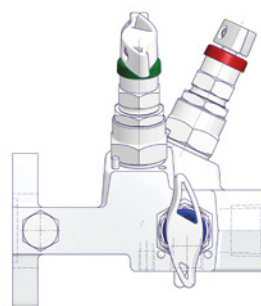
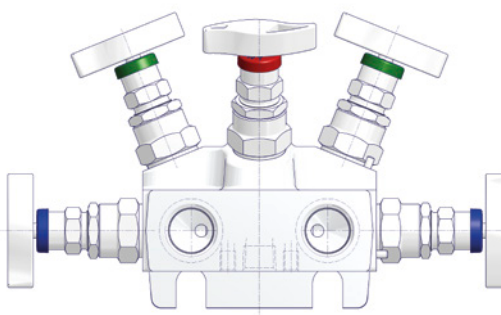
5 Valve Manifolds – Female x Flanged T5A Type



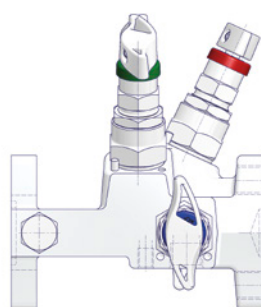
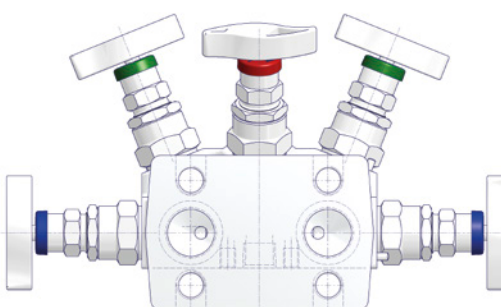
5 Valve Manifolds – Flanged x Flanged H5A Type



5 Valve Manifolds with Natural Gas Metering Pattern T5N Type



H5N Type



Direct Mount Manifolds - Traditional Style

Ordering Information

	1	2	3	4	5	6	7	8	9	10	11	12	13	14	15	16
	H	3	B	B	S	A	-	N	4	T	E	-	B	R		
H	H-Style Manifolds															
T	T-Style Manifolds															
	Quantity Bonnets – 2-5															
	Manifold Specifics															
A	Standard – 2 Valve / 5 Valve Manifold with Vent Ports 1/4 NPT Female, 3 Valve Manifold without Vent Port															
B	Vent Ports 1/4 NPT Female Plugged – For 3 Valve Manifolds only ^{*2}															
N	Natural Gas Metering Pattern – For 5 Valve Manifolds only															
	Inlet															
A	Female – For T-Style Manifolds only															
B	Flanged – For H-Style Manifolds only															
C	1/2 NPT with Tube Fittings – For T-Style Manifolds only															
	Material															
S	1.4401 / 1.4404 / 316 / 316L	F	Duplex UNS S31803		B	6Mo UNS S31254										
M	Alloy 400 UNS N04400	D	Super Duplex UNS S32750		T	Titanium Grade 2										
H	Alloy C-276 UNS N10276	V	Alloy 625 UNS N06625													
	Bonnet															
A	PTFE		K	O-Ring FKM (FPM by ISO)												
B	Graphite		W	Carbon filled PTFE – TA-Luft												
D	ISO FE Series Type 1		2	Bellows sealed PN 100												
E	ISO FE Series Type 3		4	Bellows sealed PN 250												
	Inlet															
	Thread Type		Fitting Type		Flange Interface											
N	NPT		C	Single Ferrule Tube Fitting		T Flange Interface										
			K	Twin Ferrule Tube Fitting												
	Thread Size		Tube Fitting Sizes		Flange Interface											
4	1/2		4	12 resp. 12S		4 EN 61518										
			5	14 resp. 14S												
			9	1/2"												
	Outlet															
	Transmitter Interface															
TD	DIN EN 61518-A															
TE	DIN EN 61518-B															
	Options - Specify in alphabetical order (digits first, then letters)															
B	Cleaned and Lubricated for Oxygen Service – For PTFE Packing only															
F	PCTFE Soft Tip															
G	POM Soft Tip															
S	Stellite Valve Tip															
A	Vent Ports Plugged ^{*2}															
P	Power Piping ASME B31.1 – For Graphite Packing only															
K	Arctic Operations (-55°C (-67°F)) – For PTFE Packing only															
M	Wetted Parts with 3.1 certificate															
	Operation Options															
J	Stainless Steel Handwheel with Locking Plate Design															
T	Anti-Tamper Bonnet (Key to be ordered separately)															
R	Anti-Tamper Bonnet (1 Key supplied per Valve/Manifold)															
Q	AT-Key Lock Bonnet Design															
U	Padlock for Anti-Tamper Bonnet / AT-Key Lock Bonnet Design															
W	Stainless Steel Handwheel															
	Standard Accessory Kits for Manifold to Transmitter mounting according to DIN EN 61518 / IEC 61518															
1	Hex Cap Screw 7/16-20 UNF, Bolt Length 1" and Washer in C.S., PTFE Seal Rings															
2	Hex Cap Screw 7/16-20 UNF, Bolt Length 1" and Washer in S.S., PTFE Seal Rings ^{*3}															
3	Hex Cap Screw 7/16-20 UNF, Bolt Length 1" and Washer in C.S., Graphite Seal Rings															
4	Hex Cap Screw 7/16-20 UNF, Bolt Length 1" and Washer in S.S., Graphite Seal Rings ^{*3}															
	Mounting Bracket Kits															
9	SST Mounting Bracket AKM-U Type for 2" Pipe Mounting supplied separately – For Horizontal and Vertical Impulse Piping Installations ^{*1}															

^{*1} Relevant Bracket Type see Pages 34-36.

^{*2} For H3B/T3B Types Option A is not relevant because it's already included.

^{*3} Bolt Material S.S. = 316 Stainless Steel | ASTM A193 B8M Class 2

Wetted Parts according to a.m. material list are supplied according to NACE MR0175/MR0103 and ISO 15156 (latest issue) - except Titanium Grade 2.

Note: Not every configuration which can be created in the ordering information is feasible / available.