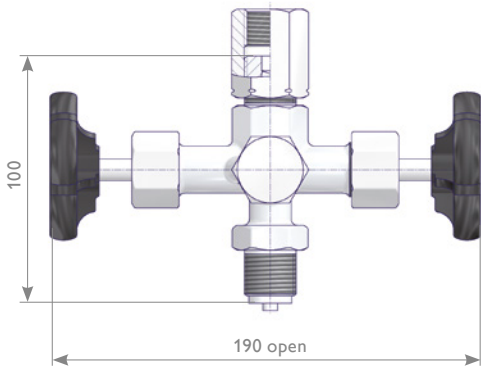


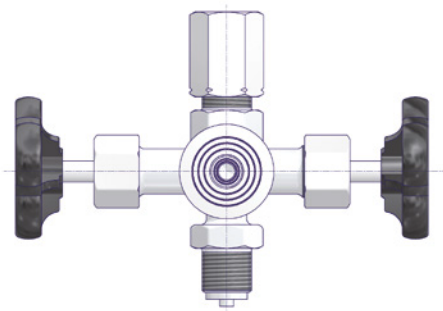
# Block & Bleed Gauge Valves

B.01.140-E-190423  
www.tempco.be

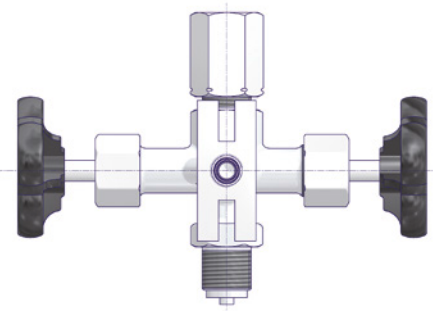
## Instrument Connection - Adjusting Nut



Valve with Test Connection M20 x 1.5

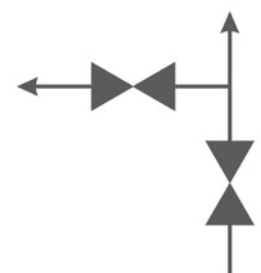


Valve with Test Flange  $\varnothing 40 \times 5$



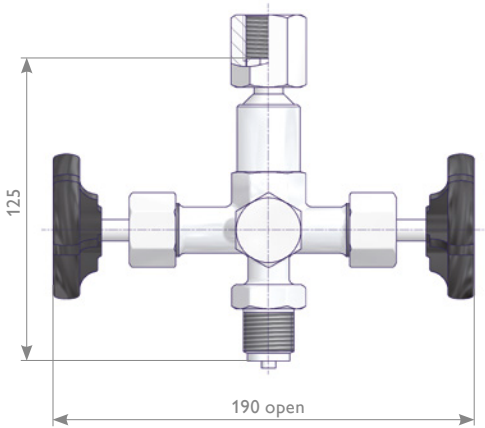
Valve with Test Flange  $60 \times 25 \times 10$

Inlet	Outlet	Test Connection	Material	References	Part Number		
G 1/2 Male	G 1/2 Adjusting Nut	M20 x 1.5 c/w Protective Cap	Brass	DIN 16272 Type A	S004.60.000		
				DVGW approved	S004.80.000		
					S004.62.000		
				Test Flange $\varnothing 40 \times 5$			S004.61.000
				Test Flange $60 \times 25 \times 10$			S004.61.000
		M20 x 1.5 Male	M20 x 1.5 Adjusting Nut	M20 x 1.5 c/w Protective Cap	1.0460	DIN 16272 Type A	S004.60.100
						DVGW approved	S004.80.100
							S004.62.100
						Test Flange $\varnothing 40 \times 5$	
				Test Flange $60 \times 25 \times 10$			S004.61.100
				M20 x 1.5 c/w Protective Cap	1.4571	DIN 16272 Type A	S004.60.200
			DVGW approved	S004.80.200			
				S004.62.200			
		Test Flange $\varnothing 40 \times 5$			S004.62.200		
		Test Flange $60 \times 25 \times 10$			S004.61.200		
		M20 x 1.5 c/w Protective Cap	Brass		S004.60.050		
			1.0460		S004.60.150		
			1.4571		S004.60.250		

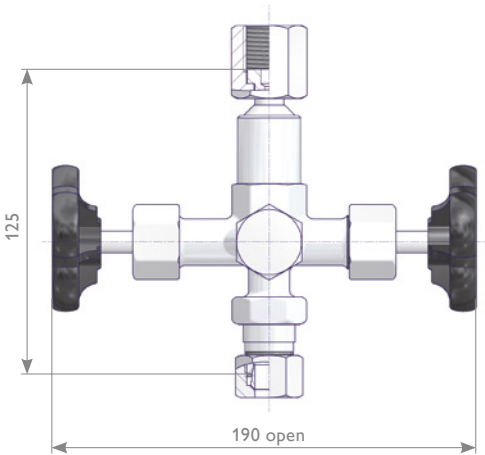


# Block & Bleed Gauge Valves

## Instrument Connection - Swivel Nut and Shaft for Supports (see Page 24)

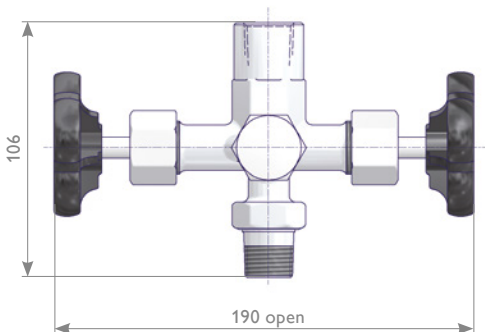


Inlet	Outlet	Test Connection	Material	References	Part Number
G 1/2 Male	G 1/2 Swivel Nut	M20 x 1.5 c/w Protective Cap	Brass	DIN 16272 Type B	S004.60.020
				DVGW approved	S004.80.020
			1.0460	DIN 16272 Type B	S004.60.120
				DVGW approved	S004.80.120
			1.4571	DIN 16272 Type B	S004.60.220
				DVGW approved	S004.80.220



Inlet	Outlet	Test Connection	Material	References	Part Number
Tube Fitting Size 12S	G 1/2 Swivel Nut	M20 x 1.5 c/w Protective Cap	1.0460	DIN 16272 Type B	S004.60.120.13
				DVGW approved	S004.80.120.13
			1.4571	DIN 16272 Type B	S004.60.220.13
				DVGW approved	S004.80.220.13

## Instrument Connection - 1/2 NPT Female



Inlet	Outlet	Test Connection	Material	References	Part Number
1/2 NPT Male	1/2 NPT Female	M20 x 1.5 c/w Protective Cap	1.0460		S004.60.135.02
			1.4571		S004.60.235.02