

Instrumentation Products

E Series Valves and Manifolds



Introduction

Introduction

The AS-Schneider Group with its headquarters in Germany is one of the World's Leading Manufacturers of Instrumentation Valves and Manifolds. AS-Schneider offers a large variety of E Series Valves and Manifolds as well as numerous accessories needed for the instrumentation installations globally.

Selection can be made from a comprehensive range of bodies with a variety of connections and material options, optimising installation and access opportunities. Many of the valves shown in this catalogue are available from stock or within a short period of time. The dimensions shown in this catalogue apply to standard types – very often 1/2 NPT threaded. If you need the dimensions for your individual type please contact the factory.

Note: Not every configuration which can be created in the ordering information is feasible / available.

Continuous product development may from time to time necessitate changes in the details contained in this catalogue. AS-Schneider reserves the right to make such changes at their discretion and without prior notice.

All dimensions shown in this catalogue are approximate and subject to change.



Introduction	page 2
Contents	page 3
General Features	page 4
Valve Head Unit Options	page 5-11
Connections	page 12-13
Hand Valves	page 14-15
Gauge Valves	page 16-17
Multiport Gauge Valves	page 18-19
Block & Bleed and Double Block & Bleed Manifolds	page 20-21
L, Y & W-Shaped Manifolds	page 22-24
Remote Mounted Manifolds	page 25-27
Direct Mount Manifolds	
Wafer Style	page 28-33
Traditional Style	page 34-37
Integral Style	page 38-40
5 Valve Manifolds with Natural Gas Metering Pattern	page 41-42
Enclosure Manifolds EDM Series	page 43-45
Differential Pressure Gauge Manifolds	page 46-47
Accessories	page 48-53
Check Valves	page 54
Complementary Products	page 55

General Features

Body Material Options

Material Group	AS Material Designation	Material No.	Short Name	Equivalent UNS-No.	Material Grade acc. to ASTM	E Series Needle Valves and Manifolds
Carbon Steel	A105				A105	Optional
Austenitic Stainless Steel	316 quadruple certified*	1.4401	X5CrNiMo17-12-2	S31600	316	Standard
		1.4404	X2CrNiMo17-12-2	S31603	316L	Standard
	6Mo	1.4547	X 1CrNiMoCuN20-18-7	S31254		Standard
Austenitic-Ferritic Stainless Steel	Duplex	1.4462	X2CrNiMoN22-5-3	S31803	F51	Standard
	Superduplex	1.4410	X2CrNiMoN25.7.4	S32750	F53	Standard
Nickel Based Alloys	Alloy 400	2.4360	NiCu30Fe	N04400		Standard
	Alloy C-276	2.4819	NiMo 16 Cr 15 W	N10276		Standard
	Alloy 625	2.4856	NiCr22Mo9Nb	N06625		Standard
	Alloy 825	2.4858	NiCr21Mo	N08825		Optional
Titanium	Titanium Grade 2	3.7035	Ti-II	R50400		Optional

* Quadruple Certified means 316 / 316L / 1.4401 / 1.4404

Standard Features

- Bore Size 5 mm
- Manifolds are not supplied with plugs unless specified.
- Anti-Tamper Head Unit Options see Page 11.

Needle Seal:

PTFE and Graphite Packings are available for all valve types. Alternatively O-Ring stem seal and Bellows Sealed Head Units – see Page 6–10.

Sour Gas Service:

Wetted Parts according to a.m. material list are supplied as standard according to NACE MR0175/MR0103 and ISO 15156 (latest issue) – Standard Material only (see last column), except Titanium Grade 2.

Pressure Test:

A shell test and a seat leakage test are performed at 1.5 times the max. allowable (working) pressure acc. to EN 12266-1 – P10, P11 and P12 respectively MSS-SP61 at every standard AS-Schneider E Series Needle Valve / Manifold → 100% Pressure Tested!

Certification:

Inspection Certificate 3.1 acc. to EN 10 204 for valve body material and pressure test available on request.

The manifolds can be provided by default with a

- CRN Certificate
- EAC Certificate – Manifolds are marked with EAC

Valves with Graphite Packings are Fire Safe Tested and Certified according to ISO 10497 and API 607.

Optional Features

- Soft Seated Needle Valves: Bore Size 6.35 mm (1/4")
- Bore Size 10 mm

Fugitive Emission Application:

For Fugitive Emission Applications AS-Schneider is providing bellows sealed valves with safety packing. Choice of Pressure class PN 100 or PN 250. The bellows are submitted to a 100% Helium leak test. The leak rate is 10^{-8} mbar l/s. Optional available are TA-Luft and ISO 15848 solutions. For more details see Pages 9 and 10.

Oxygen Service:

AS-Schneider offers an option with Reinforced PTFE Packing cleaned and lubricated for Oxygen Service:

Pressure-Temperature Rating:

Max. 420 bar (6,092 psi) @ 60°C (140°F)

Max. 200°C (392°F) @ 90 bar (1,305 psi)

Not every Valve Type is available for Oxygen Service!

If you don't find your options in this catalogue, please contact the factory.

Standard Bonnet Design

T Handle

Ergonomic Handle Design.
Operating options are Anti-Tamper features or a Stainless Steel Handwheel.

Valve Stem

Stem with cold rolled threads for high strength and smooth operation.

Needle Seal

Standard: PTFE or Graphite Packing
Options: O-Ring or Bellows Sealed

Needle

Non-rotating Needle for smooth operation and minimum wear of sealing elements.

Back Seat

Metal to Metal secondary needle seal and therefore the needle is anti-blowout / non-removable – For your safety.

Needle Tip

Choices of Needle Tip Materials such as Stellite, and Soft Tips like PCTFE and POM.

Valve Seat

Metal seated (integral type) and Soft seated → See Page 7 and Catalogue AS-4302.



Color Coded Dust Cap

For operating thread protection:

Isolate	BLUE
Vent/Test	RED
Equalize	GREEN

Color Coded Options

Following options are also color coded below dust cap:

Oxygen Service	WHITE
Graphite Packing	BLACK
FKM O-ring Stem Seal with PCTFE Soft Tip	ORANGE
TA-Luft Option	MAGENTA

Lock Pin

Eliminates unauthorized removal of the bonnet assembly.

Bonnet

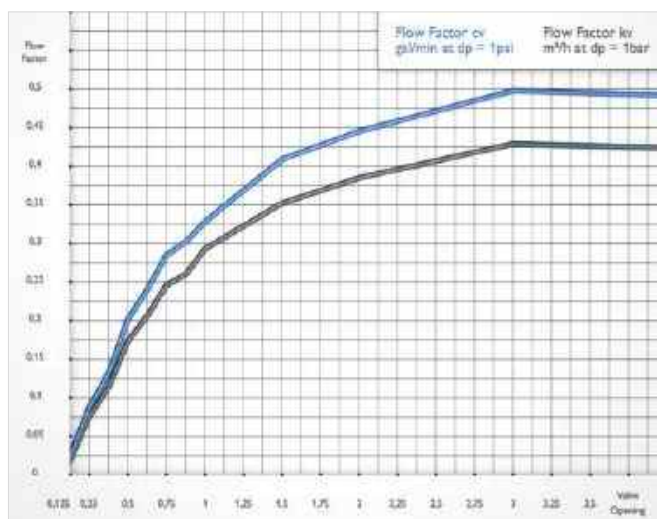
Metal to Metal Seal to Valve Body.

Traceability of Materials

All AS-Schneider E Series Valves and Manifolds have material traceability. A unique code is stamped on all valve bodies linking them with their material and chemical analysis certificates.

Flow Data

Needle Valves Standard Head Unit – Bore Size 5 mm



Standard Valve Head Units

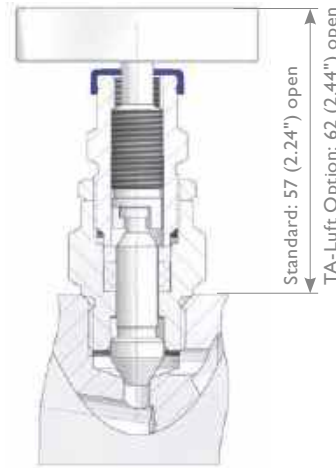
Standard Needle Valves

Screwed Bonnet – Stem Seal: Packing

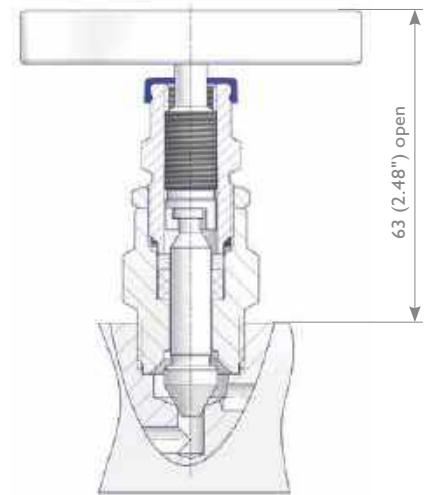
Features

- Integral Valve Seat – Metal to Metal Seated
- Soft Tip PCTFE or POM optional
- Non-rotating Needle
- External Stem Thread – Packing below stem threads. Stem Threads are protected from process media (non-wetted), helps to prevent stems from galling.
- Stem with cold rolled threads
- Blow-out proof Needle
- Back Seat – Metal to metal secondary needle seal
- Lock Pin – Eliminates unauthorized removal of the bonnet
- Color Coded Dust Cap for operating thread protection
- Standard Packing in PTFE and Graphite available
- Carbon filled PTFE Packing - TA-Luft option
- Max. allowable (Working) Pressure (PS):
420 bar (6,092 psi)
– 689 bar (10,000 psi) optional
- Panel Mount Option available
- Anti-Tamper Valve Head Options available
- All non-wetted parts in 316 stainless steel

Standard Design
420 bar (6,092 psi)



High Pressure Design
689 bar (10,000 psi) and
500 bar (7,252 psi)



Body-to-Bonnet Seal is below the threads eliminating process fluid corrosion.

Color Coded Options

Graphite Packing



Oxygen Service



TA-Luft Option



Panel Mount Option



Components	Stainless Steel		Exotic Alloys					
	Material / Material No.							
Body	316 / 316L	Alloy 400	Alloy C-276	Duplex	UNS S32750	Alloy 625	6Mo	Titanium Gr. 2
Bonnet								
Needle								
Pipe Plug								
Valve Stem	316 / 316L							
Gland	316							
Packing	PTFE or Graphite							
Stem Nut	316							
Lock Nut	316							
Set Screw	316							
T Handle	316							
Lock Pin	A4 (316)							

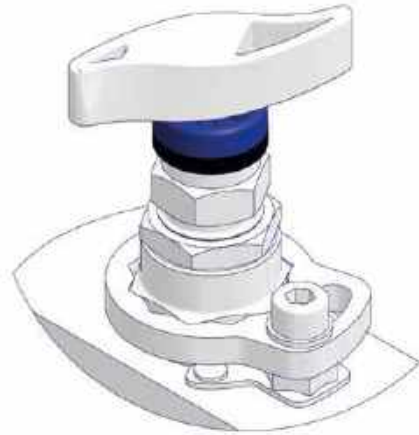
Wetted components listed in **bold**.

Needle Valves according ASME B31.1 (Power Piping)

Screwed Bonnet – Stem Seal: Graphite Packing
Meet the requirements of ASME B31.1 (Power Piping).
A Locking Plate eliminates an unauthorized removal of the bonnet.

Features

- Integral Valve Seat – Metal to Metal Seated
- Non-rotating Needle
- External Stem Thread – Packing below stem threads.
Stem Threads are protected from process media (non wetted), helps to prevent stems from galling.
- Stem with cold rolled threads
- Blow-out proof Needle
- Back Seat – Metal to metal secondary needle seal
- Locking Plate – Eliminates unauthorized removal of the bonnet
- Color Coded Dust Cap for operating thread protection
- Max. allowable (Working) Pressure (PS): 414 bar (6,000 psi)
- Anti-Tamper Valve Head Options available
- All non-wetted parts in 316 stainless steel

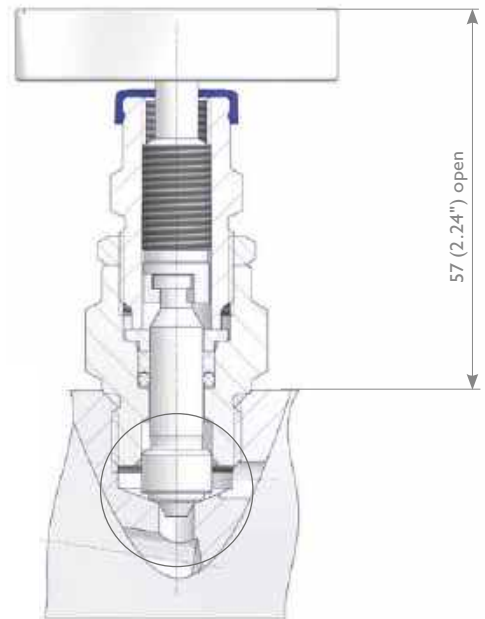


Needle Valves with O-Ring Stem Seal

Screwed Bonnet – O-Ring Stem Seal

Features

- Integral Valve Seat
- Non-rotating Needle
- External Stem Thread – Packing below stem threads.
Stem Threads are protected from process media (non-wetted), helps to prevent stems from galling.
- Stem with cold rolled threads
- Blow-out proof Needle
- Back Seat – Metal to metal secondary needle seal
- Lock Pin – Eliminates unauthorized removal of the bonnet
- Color Coded Dust Cap for operating thread protection
- O-Ring FKM, optional EPDM
- Soft Tip PCTFE or POM
- Max. allowable (Working) Pressure (PS): 420 bar (6,092 psi)
- Panel Mount Option not available
- Anti-Tamper Valve Head Options available
- All non-wetted parts in 316 stainless steel



Color Coded Option
FKM O-Ring Stem Seal
with PCTFE Soft Tip

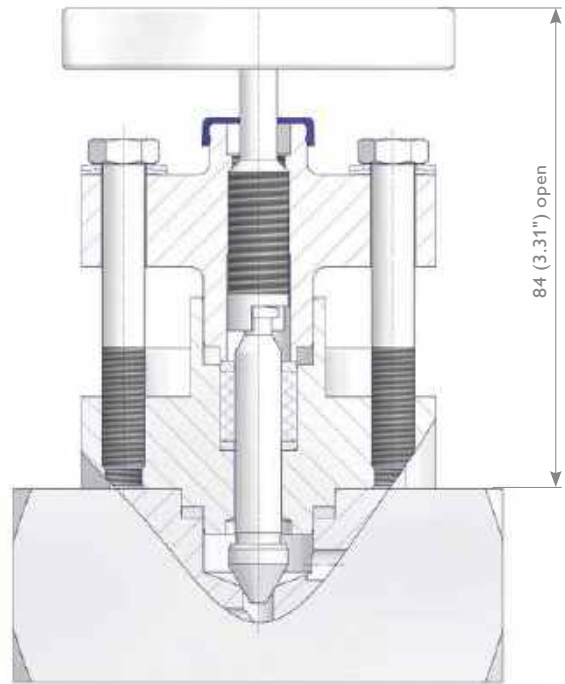
Standard Valve Head Units

Needle Valves with OS&Y Bolted Bonnet

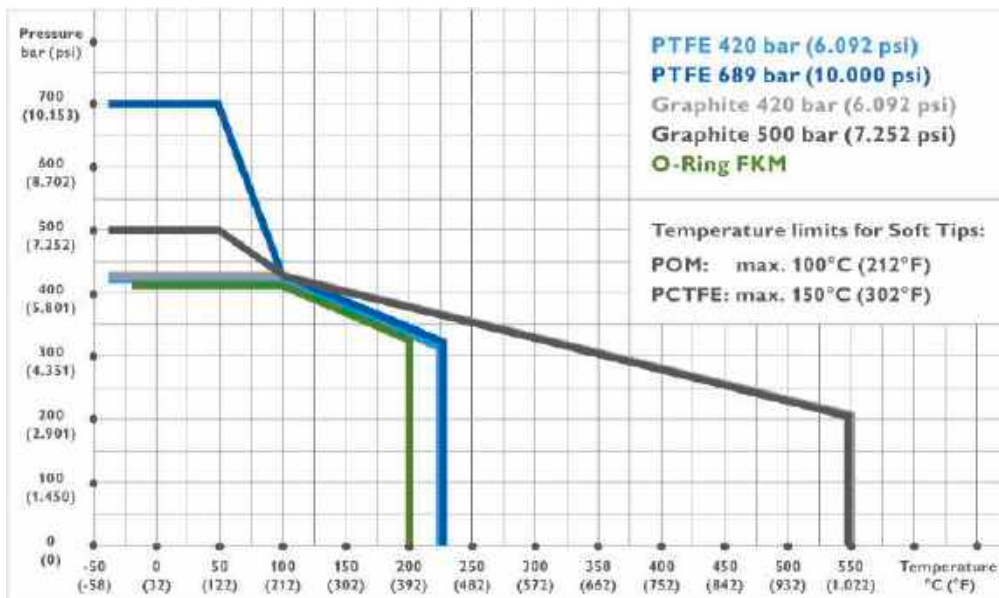
OS&Y Bolted Bonnet – Standard Packing

Features

- Integral Valve Seat – Metal to Metal Seated
- Non-rotating Needle
- External Stem Thread – Packing below stem threads. Stem Threads are protected from process media (non-wetted), helps to prevent stems from galling.
- Stem with cold rolled threads
- Blow-out proof Needle
- Spring Washers for compensation of thermal expansion
- Back Seat – Metal to metal secondary needle seal
- Color Coded Dust Cap for operating thread protection
- Max. allowable (Working) Pressure (PS): 420 bar (6,092 psi)
- Anti-Tamper Valve Head Options available
- PTFE or Graphite Packing
- Bonnet Seal Ring: Graphite
- All non-wetted parts in 316 stainless steel



Pressure-Temperature Rating for Standard Valve Head Units acc. to Page 6 – 8



Above-mentioned Pressure-Temperature Rating is based on the standard material 316 stainless steel. Other materials as shown on page 4 and 6 might have different Pressure-Temperature Ratings.

Low-temperature Limits:

- Standard Valves with PTFE and Graphite Packing: -40°C (-40°F)
- Valves with PTFE Packing and Arctic Operations Option, Code K: -55°C (-67°F)
- Valves with FKM O-Ring Needle Seal: -20°C (-4°F)
- Carbon Steel ASTM A105: -29°C (20.2°F)



Packing adjustment may be required during the service life of the valves.



Valves that have not been cycled for a period of time may have a higher initial actuation torque.

Valve Head Units for Fugitive Emission Applications

Needle Valves acc. to ISO 15848

Screwed Bonnet – Type 1 O-Ring Stem Seal + Graphite Packing
Type 3 PTFE Packing

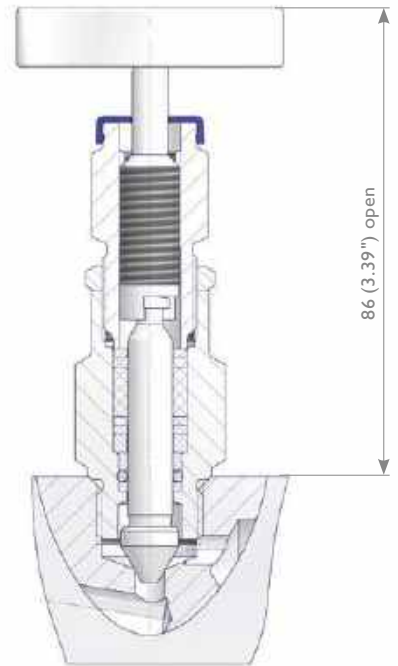
Features

- Integral Valve Seat – Metal to Metal Seated
- Non-rotating Needle
- External Stem Thread – Packing below stem threads. Stem Threads are protected from process media (non-wetted), helps to prevent stems from galling.
- Stem with cold rolled threads
- Back Seat – Metal to metal secondary needle seal
- Color Coded Dust Cap for operating thread protection
- Max. allowable (Working) Pressure (PS): 420 bar (6,092 psi)
- Anti-Tamper Valve Head Options available
- FKM O-Ring Needle Seal – RGD (Rapid Gas Decompression) resistant
- PTFE or Graphite Packing
- All non-wetted parts in 316 stainless steel
- Types also comply with the requirements of TA-Luft 2002

ISO FE Performance Data

ISO FE Type 1:
Class A 1,500 cycles / -29°C to 40°C
(-20°F to 104°F)
Class A 500 cycles / -29°C to 200°C
(-20°F to 392°F)
Class B 1,500 cycles / -29°C to 200°C
(-20°F to 392°F)

ISO FE Type 3:
Class B 1,500 cycles / -29°C to 200°C
(-20°F to 392°F)



OS&Y Needle Valves acc. to ISO 15848

OS&Y Bolted Bonnet – Type 1 O-Ring Stem Seal + Graphite Packing
Type 3 PTFE Packing

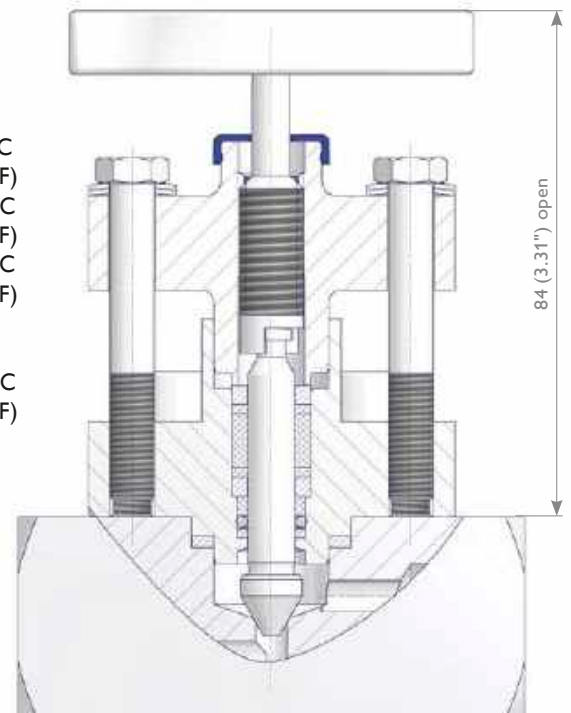
Features

- Integral Valve Seat – Metal to Metal Seated
- Non-rotating Needle
- External Stem Thread – Packing below stem threads. Stem Threads are protected from process media (non-wetted), helps to prevent stems from galling.
- Stem with cold rolled threads
- Blow-out proof Needle
- Spring Washers for compensation of thermal expansion
- Back Seat – Metal to metal secondary stem seal
- Color Coded Dust Cap for operating thread protection
- Max. allowable (Working) Pressure (PS): 420 bar (6,092 psi)
- Anti-Tamper Valve Head Options available
- FKM O-Ring Stem Seal – RGD (Rapid Gas Decompression) resistant
- PTFE or Graphite Packing
- Bonnet Seal Ring: Graphite
- All non-wetted parts in 316 stainless steel
- Types also comply with the requirements of TA-Luft 2002

ISO FE Performance Data

Class A 2,500 cycles / -29°C to 40°C
(-20°F to 104°F)
Class A 500 cycles / -29°C to 200°C
(-20°F to 392°F)
Class B 2,500 cycles / -29°C to 200°C
(-20°F to 392°F)

ISO FE Type 3:
Class B 2,500 cycles / -29°C to 200°C
(-20°F to 392°F)



Valve Head Units for Fugitive Emission Applications

Bellows Sealed Head Units

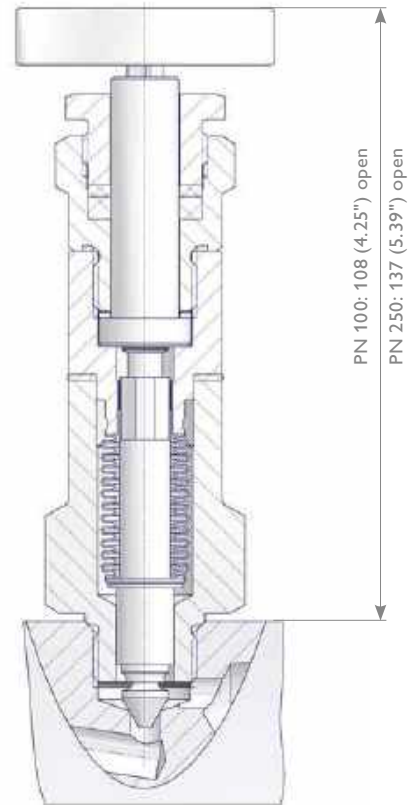
Screwed Bonnet – PN 100 and Graphite Safety Packing
PN 250 and Graphite Safety Packing

Features

- Integral Valve Seat – Metal to Metal Seated
- Non-rotating Stem
- Bellows sealed – PN 100 and PN 250 incl. Graphite Safety Packing
- Stem with cold rolled threads
- Stellite Needle Tip as standard
- Bellows are submitted to a 100% Helium leak test
- Leak rate: 10^{-8} mbar l/s
- Valves for Oxygen Service on request

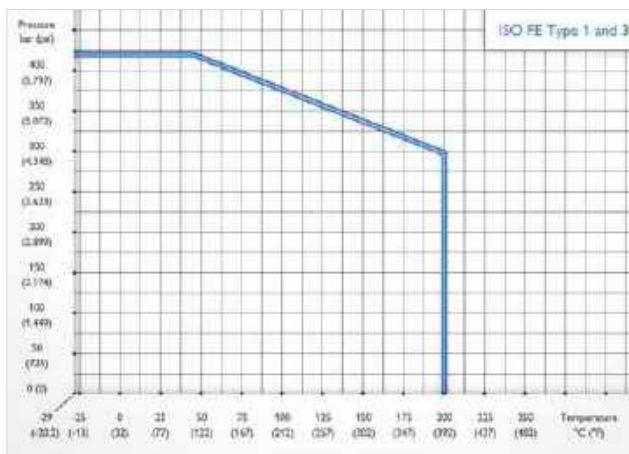
Bellows Sealed Head Units are mainly used for applications requiring the highest tightness class – such as toxic or vacuum service.

- ⚠ **Packing adjustment may be required during the service life of the valves.**
- ⚠ **Valves that have not been cycled for a period of time may have a higher initial actuation torque.**
- ⚠ **When delivered ex factory, the safety packing of the bellows sealed valve is not fully tightened. In the event of a bellows failure the safety packing must be tightened in order to avoid fluid leakage.**



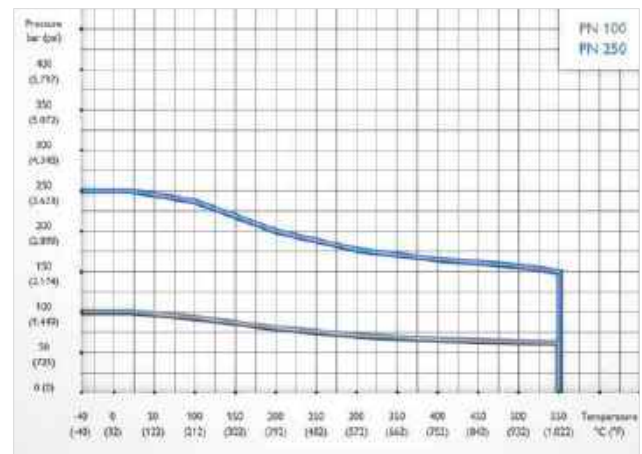
Pressure-Temperature Rating

ISO FE Type 1 FKM O-Ring and Graphite Packing
ISO FE Type 3 PTFE Packing



Pressure-Temperature Rating

Bellows PN 100 Safety Packing Graphite
Bellows PN 250 Safety Packing Graphite



Above-mentioned Pressure-Temperature Rating is based on the standard material 316 stainless steel.

Other materials as shown on page 4 and 6 might have different Pressure-Temperature Ratings.

Anti-Tamper Valve Head Unit Options

AS-Schneider is providing 2 Anti-Tamper Valve Head Units, both types are lockable with a padlock.

Standard Anti-Tamper Head Unit

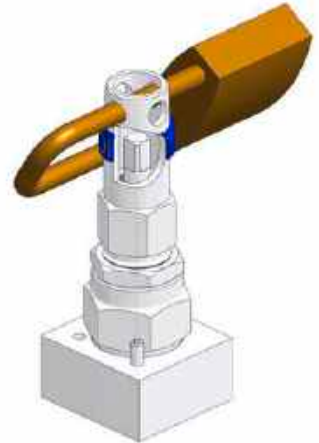
The valves are operated with a special Anti-Tamper Key (AT-Key), which fits exactly in the key guide. The valve can therefore only be operated with the AT-Key. In addition to this safety function, installing a padlock prevents the AT-Key being inserted into the key guide. Operating the valve is therefore no longer possible which protects your equipment against unauthorized opening and closing of the valve head units. The valve can be locked reliably in every position required.



Option Code T or R



Part Number ATK-ES



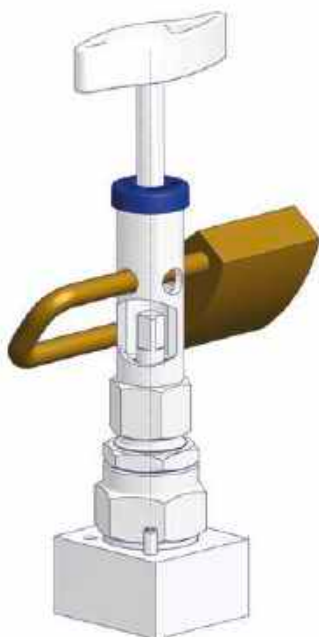
Incl. Padlock; Option Code U

'AT-Key Lock' Anti-Tamper Head Unit (Option Code Q)

'AT-Key Lock' valves are operated by a AT-Key which is an integral component of the valve. This Key can be extracted a little from the valve head unit which loosens the connection between the valve stem and the Key. In this extended position a padlock can now be hooked diagonally in the valve head unit which prevents the Key being inserted again. Operating the valve is therefore no longer possible which protects your equipment against unauthorised opening and closing of the valve. The valve can be locked reliably in every position required. This design offers you optimal security against unintentional and unauthorized operation of the valve. A color coded dust cap protects stem threads against ingress of dirt unauthorized opening and closing of the valve head units. The valve can be locked reliably in every position.

Stainless Steel Handwheel and 'Locking Plate' Design

The valves can be ordered optional with Stainless Steel Handwheel (Option Code W) and also with an additional fitted locking plate (Option Code J). For ordering the 'Locking Plate' Design incl. padlock you need to state J and U. This design allows minimum handle movements and is ideal as protection against unauthorised closing of the valve.



Option Code Q



Option Code J

Stainless Steel Handwheel



Option Code W

Connections

Connections

AS-Schneider is manufacturing a lot of different connections and connection combinations. In this catalogue we are showing the most popular types. On the next 2 pages you will find the standard connections in detail. If you don't find your option please contact us.

Designations used in the tables: Inlet = Process Connection | Outlet = Instrument / Transmitter Connection

Tube Fittings

Single Ferrule Tube Fittings
acc. to EN ISO 8434-1 Size S



Twin Ferrule Tube Fittings

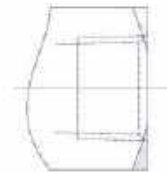


Tapered Pipe Threads

NPT Male Threads
acc. to ASME B 1.20.1



NPT Female Threads
acc. to ASME B 1.20.1



BSP Tapered Thread
acc. to ISO 7/1 (e.g. R 1/2)

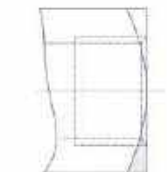
BSP Tapered Thread
acc. to ISO 7/1 (e.g. Rc 1/2)

Parallel Pipe Threads

BSP Parallel Male Thread
acc. to ISO 228 (e.g. G 1/2)
acc. to DIN 3852
acc. to EN 837-1



BSP Parallel Female Threads
acc. to ISO 228 (e.g. G 1/2)
acc. to DIN 3852-2 Form Z
acc. to ISO 7/1 (e.g. R 1/2)
acc. to EN 837-1



Weld Ends

Butt Weld Ends for
Pipes and Tubes acc. to
EN12627 / ASME B16.9



Socket Weld Ends for
Pipes and Tubes acc. to
EN12760 / ASME B16.11

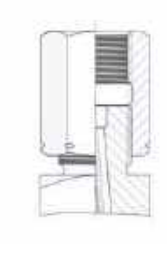


Pressure Gauge Connections - For Parallel Pipe Threads only

Swivel Male Connection



Adjusting Nut
acc. to DIN 16283



Swivel Nut (Wire Design)



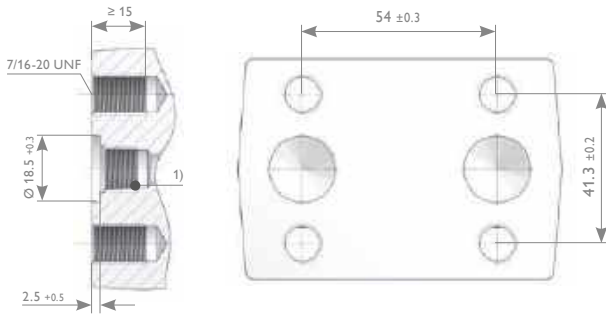
Swivel Nut
(Welded Nipple Design)
acc. to DIN 16284



Flange Connections

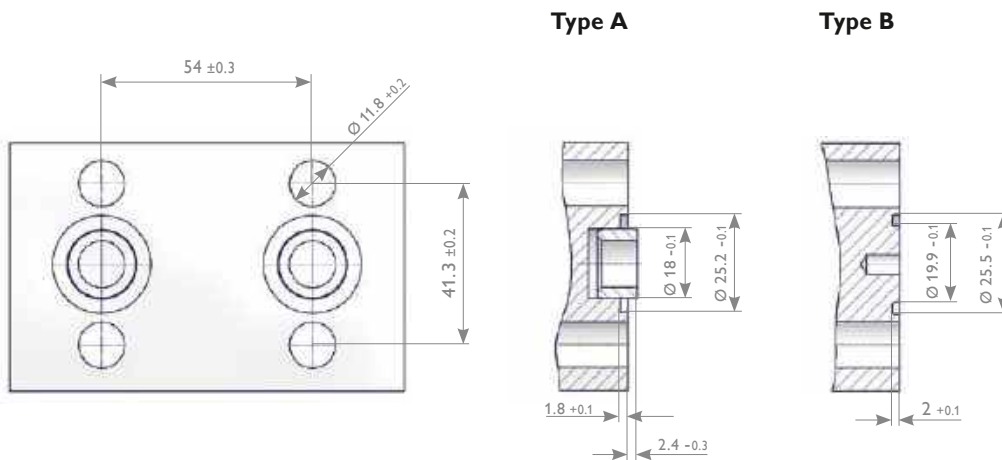
According to DIN EN 61518 the manifold-transmitter interface is applicable for a max. allowable (Working) Pressure (PS) of 413 bar*³ (6,000 psi) and a max. allowable Temperature (TS) of 120°C (248°F) for liquids, gas or vapors. The max. allowable Temperature (TS) of 120°C (248°F) is considering the requirement that manifolds and transmitters need to be protected against heating by hot media. This can be achieved by using adequate hook-ups or by instrument impulse lines with sufficient length. However the AS-Schneider E Series Manifolds can be used for temperatures up to 550°C (1,022°F), PTFE up to 232°C (450°F), Graphite up to 550°C (1,022°F).

Flange Connections – Inlet Manifold respectively Transmitter Connection DIN EN 61518 / IEC 61518



¹ Threaded option for transmitters – plug / vent valve

Flange Connections – Manifold to Transmitter DIN EN 61518 / IEC 61518 Type A and Type B



	Connection at the manifold acc. to IEC 61518 / DIN EN 61518* ¹ * ³				
	Type A with spigot			Type B without spigot	
Max. allowable (Working) Pressure (PS) in bar (psi)	413 (6,000)* ³			413 (6,000)* ³	
Temperature Range in °C (°F)	-10 to +80 (14 to 176)	-15 to +120 (5 to 248)	-40 to +120 (-40 to 248)	-10 to +80 (14 to 176)	-40 to +120 (-40 to 248)
Seal Ring* ²	Flat Ring 24 x 17.7 x 2.7 Material: PTFE	O-Ring ISO 3601-1 20 x 2.65 S-FPM90 Material: FPM (FKM by ASTM)	Flat Ring 25.1 x 18 x 2.9 Material: Graphite	Flat Ring 25.4 x 20 x 2.7 Material: PTFE	Flat Ring 25.4 x 19.9 x 2.9 Material: Graphite
Min. Thread Engagement in mm	9			9	

*¹ DIN EN 61518 / IEC 61518 | Mating dimensions between pressure measuring instruments and flanged-on shut-off devices up to 413 bar (6,000 psi).

*² Materials and temperature limits for the flat rings and the O-Rings are for reference only. It is the responsibility of the user to ensure compatibility between the selected gasket ring material and the process requirements, such as pressure, temperature, and chemical compatibility.

*³ IEC 61518 is stating 413 bar (6,000 psi), AS-Schneider however confirms 420 bar (6,092 psi).

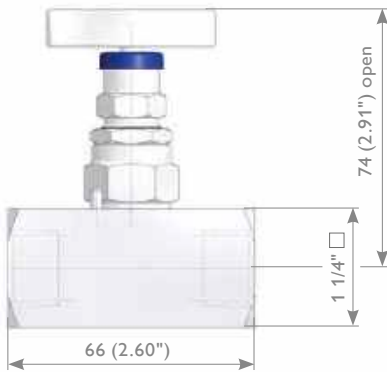
Hand Valves

Hand Valves

AS-Schneider Hand Valves are available with a lot of options. We are showing on this page just the standard types. You find a lot more options on the next page – Ordering Information Hand Valves.

The dimensions shown apply only to the illustrated valves (1/2 NPT Threaded) – if you need the dimensions for your individual type or should you still not find your options at all please contact the factory.

Hand Valve Female x Female Threaded
HAFF Type



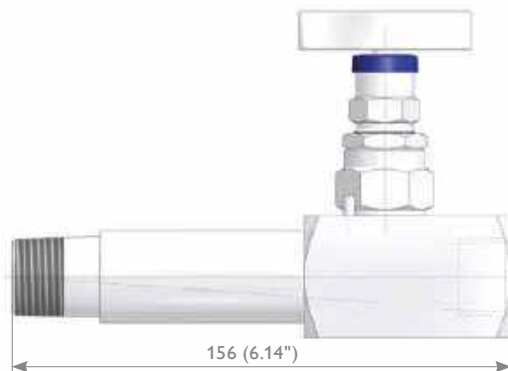
Hand Valve Male x Female Threaded
HAMF Type



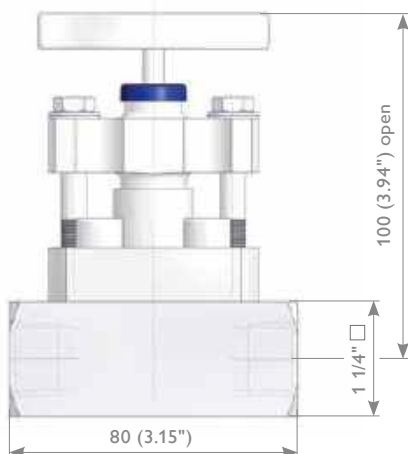
Hand Valve with Integral Tube Fittings
HATT Type



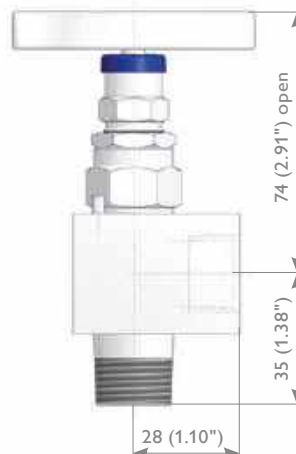
Hand Valve with Extended Body
HXMF Type
Extended by approx. 3"



Hand Valve with OS&Y Bolted Bonnet
HFFF Type



Angle Hand Valve
HLMF Type



Bore Size 10 mm:
Depending on
connection size
Width = 1 1/4"

Ordering Information

		1	2	3	4	5	6	7	8	9	10	11	12	13	14	15	16
		H	A	T	T	S	A	-	R	4	R	4	-	M	S		
H	Hand Valves																
Basic Design																	
A	Screwed Bonnet	L	Angle Hand Valve (Screwed Bonnet)														
F	OS&Y Bonnet	X	Extended Body (Screwed Bonnet)														
Inlet																	
M	Male	B	Butt Weld End														
F	Female	S	Socket Weld End														
T	Integral Tube Fitting	A	1/2 NPT with Tube Fitting														
Outlet																	
M	Male	B	Butt Weld End														
F	Female	S	Socket Weld End														
T	Integral Tube Fitting	A	1/2 NPT with Tube Fitting														
Material																	
S	1.4401 / 1.4404 / 316 / 316L	F	Duplex UNS S31803		B	6Mo UNS S31254											
M	Alloy 400 UNS N04400	D	Super Duplex UNS S32750		T	Titanium Grade 2											
H	Alloy C-276 UNS N10276	V	Alloy 625 UNS N06625														
Bonnet																	
A	PTFE	K	O-Ring FKM (FPM by ISO)														
B	Graphite	W	Carbon filled PTFE – TA-Luft														
D	ISO FE Series Type 1	2	Bellows sealed PN 100														
E	ISO FE Series Type 3	4	Bellows sealed PN 250														
Inlet																	
	Thread Type		Fitting Type		Butt Weld End		Socket Weld End										
N	NPT	C	Single Ferrule Tube Fitting	4	1/2" Pipe	D	For 12 mm Tube (Ø 12.2 mm)										
H	BSP Parallel (G) – DIN 3852-2	K	Twin Ferrule Tube Fitting	6	3/4" Pipe	E	For 14 mm Tube (Ø 14.25 mm)										
R	BSP Taper (R/Rc) – ISO 7/1			D	12 mm	2	For 1/4" Pipe										
				E	14 mm												
	Inch Sizes		Tube Fitting Sizes		Wall Thickness Butt Weld	A	Socket Weld										
2	1/4	1	6 resp. 6S	P	Schedule 80												
4	1/2	2	8 resp. 8S	Q	Schedule 160												
6	3/4	3	10 resp. 10S	2	2.0 mm												
		4	12 resp. 12S	8	2.6 mm												
		7	1/4"	A	3.2 mm												
		8	3/8"														
		9	1/2"														
Outlet																	
	Thread Type		Fitting Type		Butt Weld End		Socket Weld End										
N	NPT	C	Single Ferrule Tube Fitting	4	1/2" Pipe	D	For 12 mm Tube (Ø 12.2 mm)										
H	BSP Parallel (G) - DIN 3852	K	Twin Ferrule Tube Fitting	6	3/4" Pipe	E	For 14 mm Tube (Ø 14.25 mm)										
R	BSP Taper (R/Rc) - ISO 7/1			D	12 mm	2	For 1/4" Pipe										
				E	14 mm												
	Inch Sizes		Tube Fitting Sizes		Wall Thickness Butt Weld	A	Socket Weld										
2	1/4	1	6 resp. 6S	P	Schedule 80												
4	1/2	2	8 resp. 8S	Q	Schedule 160												
6	3/4	3	10 resp. 10S	2	2.0 mm												
		4	12 resp. 12S	8	2.6 mm												
		7	1/4"	A	3.2 mm												
		8	3/8"														
		9	1/2"														
Options - Specify in alphabetical order (digits first, then letters)																	
B	Cleaned and Lubricated for Oxygen Service – For PTFE Packing only																
F	PCTFE Soft Tip																
G	POM Soft Tip																
S	Stellite Valve Tip																
H	10,000 psi (689 bar) for PTFE Packing 7,252 psi (500 bar) for Graphite Packing																
P	Power Piping ASME B31.1 – For Graphite Packing only																
K	Arctic Operations (-55°C (-67°F)) – For PTFE Packing only																
M	Wetted Parts with 3.1 certificate																
C	Panel Mounting																
Operation Options																	
J	Stainless Steel Handwheel with Locking Plate Design																
T	Anti-Tamper Bonnet (Key to be ordered separately)																
R	Anti-Tamper Bonnet (1 Key supplied per Valve/Manifold)																
Q	AT-Key Lock Bonnet Design																
U	Padlock for Anti-Tamper Bonnet / AT-Key Lock Bonnet Design																
W	Stainless Steel Handwheel																

Wetted Parts according to above mentioned material list are supplied according to NACE MR0175/MR0103 and ISO 15156 (latest issue) - except Titanium Grade 2.
 Note: Not every configuration which can be created in the ordering information is feasible / available.

Gauge Valves

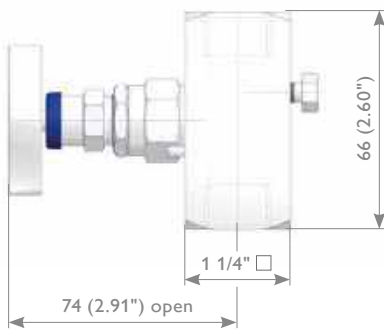
Gauge Valves

AS-Schneider Gauge Valves are designed for mounting to Pressure Gauges, Pressure Transmitters and Pressure Switches. The standard types are equipped with a bleed screw. We are showing on this page just the standard types.

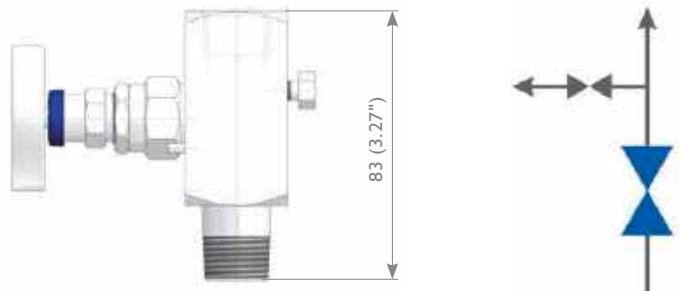
You find a lot more options on the next page – Ordering Information Gauge Valves. Accessories like Swivel Gauge Adaptors, Vent Valves etc. see Pages 48-53.

The dimensions shown apply only to the illustrated valves (1/2 NPT / G 1/2 Threaded) – if you need the dimensions for your individual type or should you still not find your options at all please contact the factory.

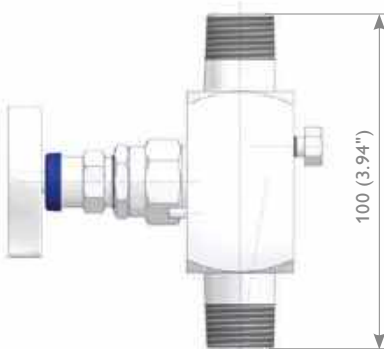
Gauge Valve Female x Female Threaded
GSFF Type



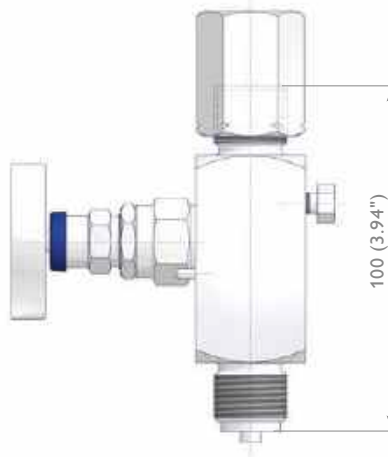
Gauge Valve Male x Female Threaded
GSMF Type



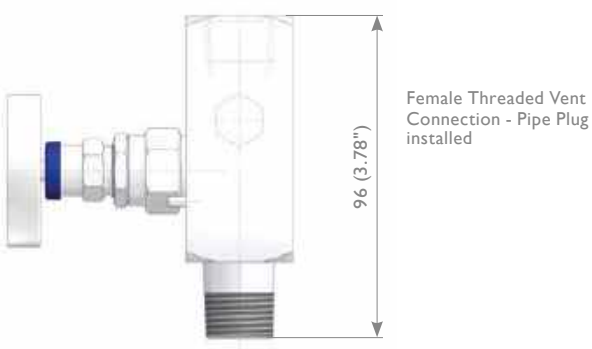
Gauge Valve Male x Male Threaded
GSMM Type



Gauge Valve Male x Adjusting Nut
GSMG Type



Gauge Valve Male x Female Threaded
GAMF Type



Ordering Information

				1	2	3	4	5	6	7	8	9	10	11	12	13	14	15	16	
				G	S	M	F	S	B	-	N	4	N	4	-	M				
G Gauge Valves																				
Vent Connection																				
S	Bleed Screw	C	G 1/4 Female																	
A	1/4 NPT Female	D	G 1/2 Female																	
B	1/2 NPT Female																			
Inlet																				
M	Male	B	Butt Weld End																	
F	Female	S	Socket Weld End																	
T	Integral Tube Fitting	A	1/2 NPT with Tube Fitting																	
Outlet																				
M	Male	G	Adjusting Nut (For Connection Code G2, G4 and M4 only)																	
F	Female	D	Swivel Nut [Wire Design] (For Connection Code G2, G4 and M4 only)																	
Material																				
S	1.4401 / 1.4404 / 316 / 316L	F	Duplex UNS S31803	B	6Mo UNS S31254															
M	Alloy 400 UNS N04400	D	Super Duplex UNS S32750	T	Titanium Grade 2															
H	Alloy C-276 UNS N10276	V	Alloy 625 UNS N06625																	
Bonnet																				
A	PTFE	K	O-Ring FKM (FPM by ISO)																	
B	Graphite	W	Carbon filled PTFE – TA-Luft																	
D	ISO FE Series Type 1	2	Bellows sealed PN 100																	
E	ISO FE Series Type 3	4	Bellows sealed PN 250																	
Inlet																				
Thread Type		Fitting Type		Butt Weld End		Socket Weld End														
N	NPT	C	Single Ferrule Tube Fitting	4	1/2" Pipe	D	For 12 mm Tube (Ø 12.2 mm)													
G	BSP Parallel (G) – EN 837-1	K	Twin Ferrule Tube Fitting	6	3/4" Pipe	E	For 14 mm Tube (Ø 14.25 mm)													
H	BSP Parallel (G) – DIN 3852			D	12 mm	2	For 1/4" Pipe													
R	BSP Taper (R/Rc) – ISO 7/1			E	14 mm															
M	Metric similar to EN 837-1																			
Inch Sizes		Tube Fitting Sizes		Wall Thickness Butt Weld		Socket Weld														
2	1/4	4	12 resp. 12S	P	Schedule 80															
4	1/2	5	14 resp. 14S	Q	Schedule 160															
6	3/4	9	1/2"	2	2.0 mm															
				8	2.6 mm															
				A	3.2 mm															
Metric Size																				
4	M20 x 1.5																			
Outlet																				
Male / Female Thread Sizes		Thread Sizes EN 837-1 - Female Threads only																		
N2	1/4 NPT Female Thread only	G2	G 1/4 (1/4 BSP P)																	
N4	1/2 NPT	G4	G 1/2 (1/2 BSP P)																	
R4	R/Rc 1/2 – ISO 7/1 (1/2 BSPT) Female Thread only	M4	M20 x 1.5																	
Options - Specify in alphabetical order (digits first, then letters)																				
B	Cleaned and Lubricated for Oxygen Service – For PTFE Packing only																			
F	PCTFE Soft Tip																			
G	POM Soft Tip																			
S	Stellite Valve Tip																			
H	10,000 psi (689 bar) for PTFE Packing 7,252 psi (500 bar) for Graphite Packing																			
P	Power Piping ASME B31.1 - For Graphite Packing only																			
K	Arctic Operations (-55°C (-67°F)) – For PTFE Packing only																			
M	Wetted Parts with 3.1 certificate																			
C	Panel Mounting																			
Operation Options																				
J	Stainless Steel Handwheel with Locking Plate Design																			
T	Anti-Tamper Bonnet (Key to be ordered separately)																			
R	Anti-Tamper Bonnet (1 Key supplied per Valve/Manifold)																			
Q	AT-Key Lock Bonnet Design																			
U	Padlock for Anti-Tamper Bonnet / AT-Key Lock Bonnet Design																			
W	Stainless Steel Handwheel																			
Accessory Kits																				
8	SST Mounting Bracket AKM-S Type for 2" Pipe Mounting supplied separately – For Vertical Impulse Piping Installations																			

Wetted Parts according to above mentioned material list are supplied according to NACE MR0175/MR0103 and ISO 15156 (latest issue) - except Titanium Grade 2.
 Note: Not every configuration which can be created in the ordering information is feasible / available.

Multiport Gauge Valves

Multiport Gauge Valves

AS-Schneider Multiport Gauge Valves are designed for mounting to Pressure Gauges, Pressure Transmitters and Pressure Switches. The standard types are provided with 3 female outlet ports and are therefore suitable for vertical or horizontal installations.

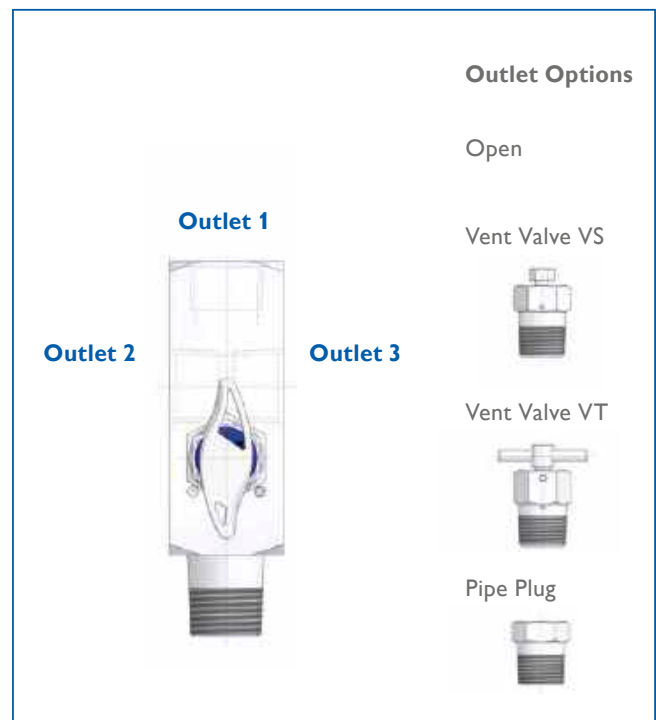
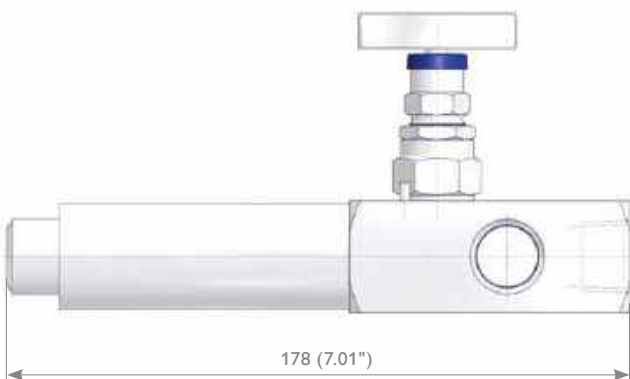
Accessories like Pipe Plugs and Vent Valves can be ordered separately or already factory installed – see also options next page – Ordering Information Multiport Gauge Valves. Accessories like Swivel Gauge Adaptors, Vent Valves etc. see Pages 48-53.

The dimensions shown apply only to the illustrated valves (1/2 NPT Threaded) – if you need the dimensions for your individual type or should you still not find your options at all please contact the factory.

Multiport Gauge Valve – Screwed Bonnet MAMA Type



Multiport Gauge Valve with Extended Body MXBA Type Extended by approx. 3"



Ordering Information

	1	2	3	4	5	6	7	8	9	10	11	12	13	14	15	16		
	M	A	B	B	S	A	-	6	P	N	4	-	S					
M	Multiport Gauge Valves																	
	Basic Design																	
A	Screwed Bonnet																	
F	OS&Y Bonnet																	
X	Extended Body (Screwed Bonnet)																	
	Inlet																	
M	Male				B	Butt Weld End												
F	Female				S	Socket Weld End												
	Outlet																	
A	3 x Female																	
B	Outlet 1 – Female, Outlet 2 – Pipe Plug, Outlet 3 – Vent Valve VS																	
C	Outlet 1 – Female, Outlet 2 – Pipe Plug, Outlet 3 – Vent Valve VT																	
D	Outlet 1 – Female, Outlet 2 and 3 – Pipe Plug																	
	Material																	
S	1.4401 / 1.4404 / 316 / 316L				F	Duplex UNS S31803				B	6Mo UNS S31254							
M	Alloy 400 UNS N04400				D	Super Duplex UNS S32750				T	Titanium Grade 2							
H	Alloy C-276 UNS N10276				V	Alloy 625 UNS N06625												
	Bonnet																	
A	PTFE				K	O-Ring FKM (FPM by ISO)												
B	Graphite				W	Carbon filled PTFE – TA-Luft												
D	ISO FE Series Type 1				2	Bellows sealed PN 100												
E	ISO FE Series Type 3				4	Bellows sealed PN 250												
	Inlet																	
	Thread Type				Butt Weld End													
N	NPT				4	1/2" Pipe												
H	BSP Parallel (G) – DIN 3852				6	3/4" Pipe												
	Inch Sizes				Wall Thickness Butt Weld													
2	1/4				P	Schedule 80												
4	1/2				Q	Schedule 160												
6	3/4				4	4.0 mm												
	Outlet																	
	Thread Sizes - Female Threads only																	
N2	1/4 NPT				H4	G 1/2 (1/2 BSP P) - DIN 3852												
N4	1/2 NPT																	
	Options - Specify in alphabetical order (digits first, then letters)																	
B	Cleaned and Lubricated for Oxygen Service – For PTFE Packing only																	
F	PCTFE Soft Tip																	
G	POM Soft Tip																	
S	Stellite Valve Tip																	
H	10,000 psi (689 bar) for PTFE Packing 7,252 psi (500 bar) for Graphite Packing																	
P	Power Piping ASME B31.1 – For Graphite Packing only																	
K	Arctic Operations (-55°C (-67°F)) – For PTFE Packing only																	
M	Wetted Parts with 3.1 certificate																	
	Operation Options																	
J	Stainless Steel Handwheel with Locking Plate Design																	
T	Anti-Tamper Bonnet (Key to be ordered separately)																	
R	Anti-Tamper Bonnet (1 Key supplied per Valve/Manifold)																	
Q	AT-Key Lock Bonnet Design																	
U	Padlock for Anti-Tamper Bonnet / AT-Key Lock Bonnet Design																	
W	Stainless Steel Handwheel																	

Wetted Parts according to above mentioned material list are supplied according to NACE MR0175/MR0103 and ISO 15156 (latest issue) - except Titanium Grade 2.
 Note: Not every configuration which can be created in the ordering information is feasible / available.

Block & Bleed and Double Block & Bleed Manifolds

Block & Bleed and Double Block & Bleed Manifolds

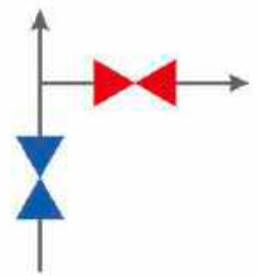
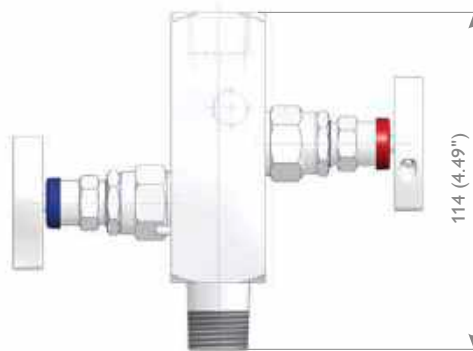
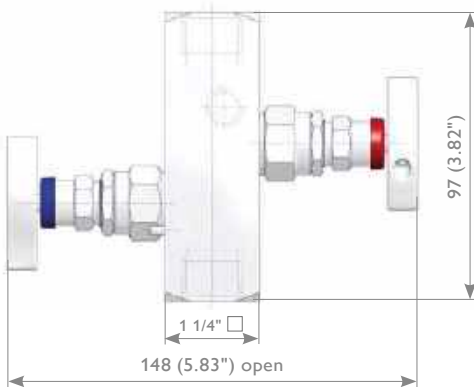
AS-Schneider Block & Bleed and Double Block & Bleed Manifolds are designed for mounting to Pressure Gauges, Pressure Transmitters and Pressure Switches. The standard vent connection is 1/4 NPT female. Pipe plugs are not installed as standard. For plugged vent ports (factory installed) – see also options next page – Ordering Information Block & Bleed Manifolds. Accessories like Swivel Gauge Adaptors, Vent Valves etc. see Pages 48-53.

The dimensions shown apply only to the illustrated valves (1/2 NPT Threaded) – if you need the dimensions for your individual type or should you still not find your options at all please contact the factory.

Block & Bleed Manifolds – Female Threaded Instrument Connection

SAFF Type

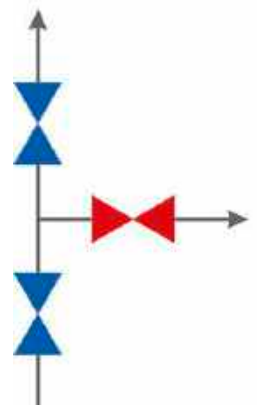
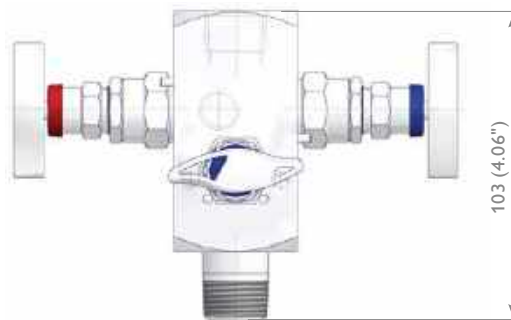
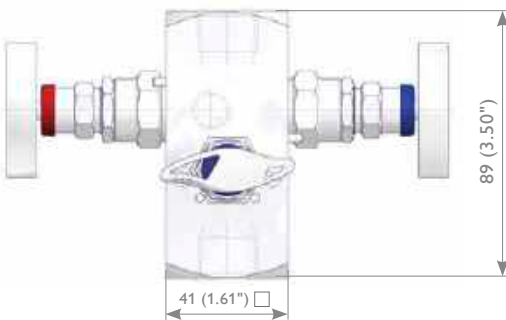
SAMF Type



Double Block & Bleed Manifolds – Female Threaded Instrument Connection

CAFF Type

CAMF Type



Block & Bleed and Double Block & Bleed Manifolds

Ordering Information

	1	2	3	4	5	6	7	8	9	10	11	12	13	14	15	16
	S	A	M	F	M	A	-	N	4	N	4	-	9	Q	U	
S	Block & Bleed Manifolds															
C	Double Block & Bleed Manifolds															
Vent Connection																
A	1/4 NPT Female		C	G 1/4 Female												
B	1/2 NPT Female		D	G 1/2 Female												
Inlet																
M	Male		B	Butt Weld End												
F	Female		S	Socket Weld End												
T	Integral Tube Fitting		A	1/2 NPT with Tube Fitting												
Outlet																
M	Male		G	Adjusting Nut (For Connection Code G2, G4 and M4 only)												
F	Female		D	Swivel Nut [Wire Design] (For Connection Code G2, G4 and M4 only)												
Material																
S	1.4401 / 1.4404 / 316 / 316L		F	Duplex UNS S31803		B	6Mo UNS S31254									
M	Alloy 400 UNS N04400		D	Super Duplex UNS S32750		T	Titanium Grade 2									
H	Alloy C-276 UNS N10276		V	Alloy 625 UNS N06625												
Bonnet																
A	PTFE		K	O-Ring FKM (FPM by ISO)												
B	Graphite		W	Carbon filled PTFE – TA-Luft												
D	ISO FE Series Type 1		2	Bellows sealed PN 100												
E	ISO FE Series Type 3		4	Bellows sealed PN 250												
Inlet																
Thread Type																
N	NPT		C	Single Ferrule Tube Fitting		4	1/2" Pipe		D	For 12 mm Tube (Ø 12.2 mm)						
G	BSP Parallel (G) – EN 837-1		K	Twin Ferrule Tube Fitting		6	3/4" Pipe		E	For 14 mm Tube (Ø 14.25 mm)						
H	BSP Parallel (G) – DIN 3852					D	12 mm		2	For 1/4" Pipe						
R	BSP Taper (R/Rc) – ISO 7/1					E	14 mm									
M	Metric similar to EN 837-1															
Inch Sizes																
2	1/4		4	12 resp. 12S		P	Schedule 80		A	Socket Weld						
4	1/2		5	14 resp. 14S		Q	Schedule 160									
6	3/4		9	1/2"		2	2.0 mm									
						8	2.6 mm									
						A	3.2 mm									
Metric Size																
4	M20 x 1.5															
Outlet																
Male / Female Thread Sizes																
N2	1/4 NPT Female Thread only					G2	G 1/4 (1/4 BSP P)									
N4	1/2 NPT					G4	G 1/2 (1/2 BSP P)									
R4	R/Rc 1/2 – ISO 7/1 (1/2 BSPT) Female Thread only					M4	M20 x 1.5									
Options - Specify in alphabetical order (digits first, then letters)																
B	Cleaned and Lubricated for Oxygen Service – For PTFE Packing only															
F	PCTFE Soft Tip															
G	POM Soft Tip															
S	Stellite Valve Tip															
A	Vent Ports Plugged															
H	10,000 psi (689 bar) for PTFE Packing 7,252 psi (500 bar) for Graphite Packing															
P	Power Piping ASME B31.1 – For Graphite Packing only															
K	Arctic Operations (-55°C (-67°F)) – For PTFE Packing only															
M	Wetted Parts with 3.1 certificate															
Operation Options																
J	Stainless Steel Handwheel with Locking Plate Design															
T	Anti-Tamper Bonnet (Key to be ordered separately)															
R	Anti-Tamper Bonnet (1 Key supplied per Valve/Manifold)															
Q	AT-Key Lock Bonnet Design															
U	Padlock for Anti-Tamper Bonnet / AT-Key Lock Bonnet Design															
W	Stainless Steel Handwheel															
Accessory Kits																
8	SST Mounting Bracket AKM-S Type for 2" Pipe Mounting supplied separately – For Vertical Impulse Piping Installations of Block & Bleed Manifolds Type S															
9	SST Mounting Bracket AKM-G Type for 2" Pipe Mounting supplied separately – For Vertical Impulse Piping Installations of Double Block & Bleed Manifolds Type C															

Wetted Parts according to above mentioned material list are supplied according to NACE MR0175/MR0103 and ISO 15156 (latest issue) - except Titanium Grade 2.
 Note: Not every configuration which can be created in the ordering information is feasible / available.

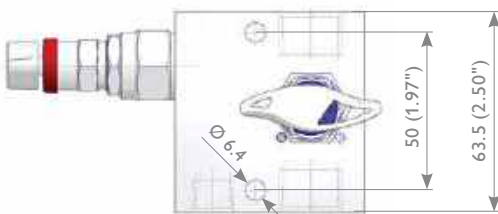
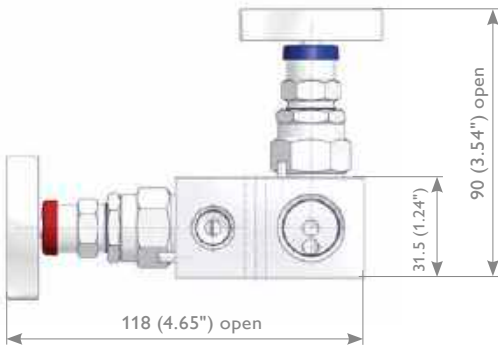
L, Y & W-Shaped Manifolds

L, Y & W-Shaped Manifolds

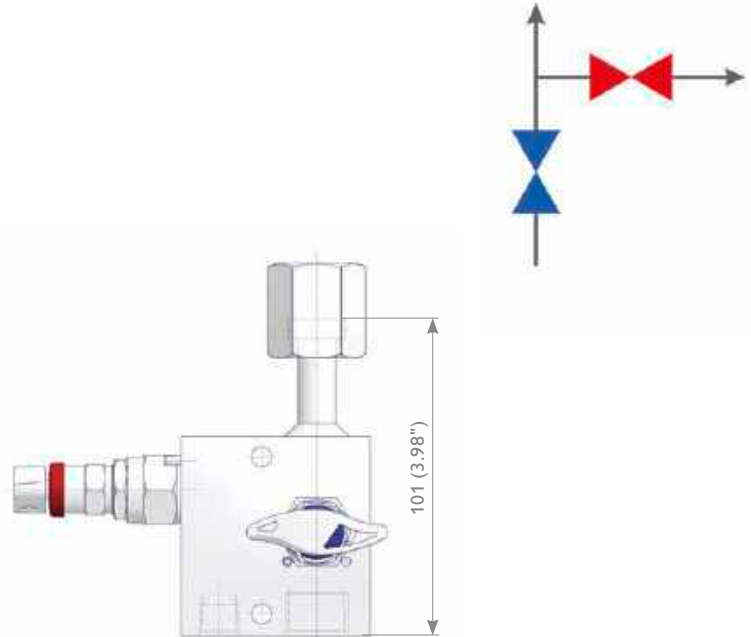
AS-Schneider L, Y & W-Shaped Manifolds are designed for mounting to Pressure Gauges, Pressure Transmitters and Pressure Switches. The standard vent connection is 1/4 NPT female. Pipe plugs are not installed as standard. For plugged vent ports (factory installed) – see also options Page 24 – Ordering Information L, Y & W-Shaped Manifolds. Accessories like Swivel Gauge Adaptors, Vent Valves etc. see Pages 48-53.

The dimensions shown apply only to the illustrated valves (1/2 NPT Threaded) – if you need the dimensions for your individual type or should you still not find your options at all please contact the factory.

L-Shaped Manifolds

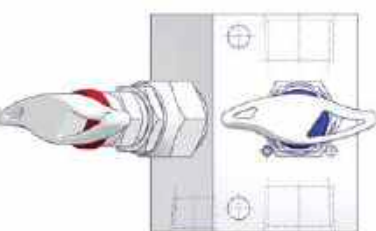
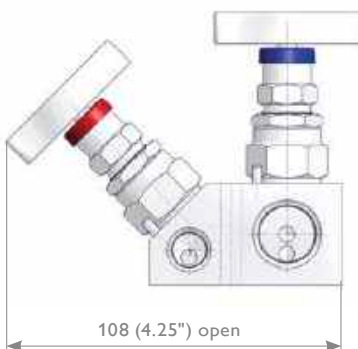


PLAA Type

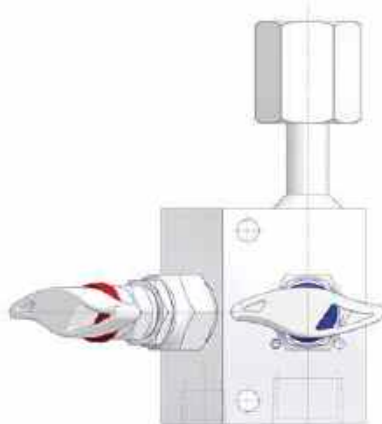


PLAB Type

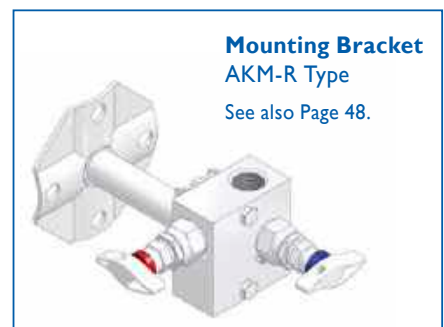
Y-Shaped Manifolds



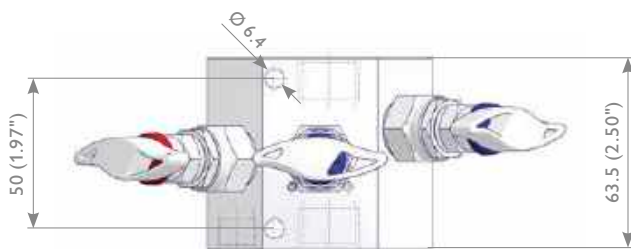
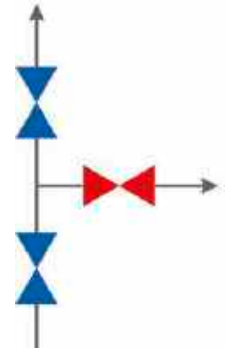
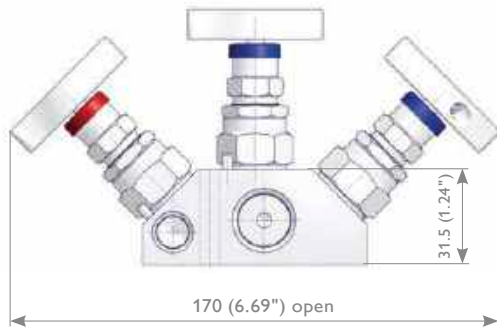
PYAA Type



PYAB Type



W-Shaped Manifolds PWAA Type



Mounting Bracket AKM-R Type

See also Page 48.



L, Y & W-Shaped Manifolds

Ordering Information

	1	2	3	4	5	6	7	8	9	10	11	12	13	14	15	16
	P	L	A	B	S	A	-	N	4	G	4	-	A	M	S	
P L,Y & W-Shaped Manifolds																
Manifold Type																
L	L-Shaped Bonnet Orientation															
Y	Y-Shaped Bonnet Orientation															
W	W-Shaped Bonnet Orientation → Double Block & Bleed Type															
Vent Connection																
A	1/4 NPT Female		F	1/4 NPT with Tube Fitting 6 mm												
B	1/2 NPT Female – Only Type PL...		G	1/4 NPT with Tube Fitting 12 mm												
C	G 1/4 Female		H	G 1/4 with Tube Fitting 6 mm												
D	G 1/2 Female – Only Type PL...		J	G 1/4 with Tube Fitting 12 mm												
Tube Fitting Brand see inlet/outlet																
Inlet x Outlet Configuration																
A	Female x Female		E	G 1/2 with Tube Fitting x Female												
B	Female x Swivel Nut		F	G 1/2 with Tube Fitting x Swivel Nut												
C	1/2 NPT with Tube Fitting x Female															
D	1/2 NPT with Tube Fitting x Swivel Nut															
Material																
S	1.4401 / 1.4404 / 316 / 316L		F	Duplex UNS S31803		B	6Mo UNS S31254									
M	Alloy 400 UNS N04400		D	Super Duplex UNS S32750		T	Titanium Grade 2									
H	Alloy C-276 UNS N10276		V	Alloy 625 UNS N06625												
Bonnet																
A	PTFE		K	O-Ring FKM (FPM by ISO)												
B	Graphite		W	Carbon filled PTFE – TA-Luft												
D	ISO FE Series Type 1		2	Bellows sealed PN 100												
E	ISO FE Series Type 3		4	Bellows sealed PN 250												
Inlet																
Thread Type																
N	NPT		C	Single Ferrule Tube Fitting												
H	BSP Parallel (G) – DIN 3852		K	Twin Ferrule Tube Fitting												
Thread Size																
2	1/4		4	12 resp. 12S												
4	1/2		9	1/2"												
Outlet																
Thread Type																
N4	1/2 NPT Female															
G4	G 1/2 Swivel Nut															
M4	M20 x 1.5 Swivel Nut															
Options - Specify in alphabetical order (digits first, then letters)																
B	Cleaned and Lubricated for Oxygen Service – For PTFE Packing only															
F	PCTFE Soft Tip															
G	POM Soft Tip															
S	Stellite Valve Tip															
A	Vent Ports Plugged															
H	10,000 psi (689 bar) for PTFE Packing 7,252 psi (500 bar) for Graphite Packing															
P	Power Piping ASME B31.1 – For Graphite Packing only															
K	Arctic Operations (-55°C (-67°F)) – For PTFE Packing only															
M	Wetted Parts with 3.1 certificate															
Operation Options																
J	Stainless Steel Handwheel with Locking Plate Design															
T	Anti-Tamper Bonnet (Key to be ordered separately)															
R	Anti-Tamper Bonnet (1 Key supplied per Valve/Manifold)															
Q	AT-Key Lock Bonnet Design															
U	Padlock for Anti-Tamper Bonnet / AT-Key Lock Bonnet Design															
W	Stainless Steel Handwheel															
Accessory Kits																
8	SST Mounting Bracket AKM-R Type for 2" Pipe Mounting supplied separately – For Vertical Impulse Piping Installations															

Wetted Parts according to above mentioned material list are supplied according to NACE MR0175/MR0103 and ISO 15156 (latest issue) - except Titanium Grade 2.

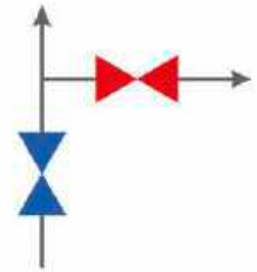
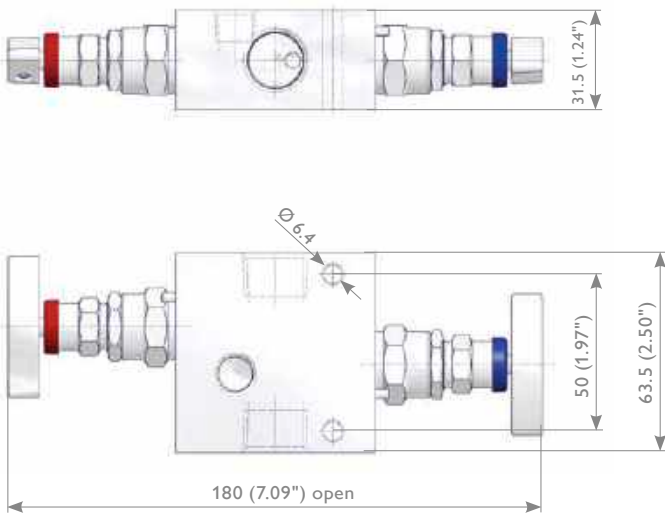
Note: Not every configuration which can be created in the ordering information is feasible / available.

Remote Mounted Manifolds (2, 3 and 5 Valve Manifolds)

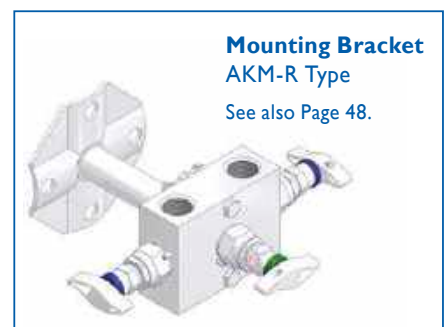
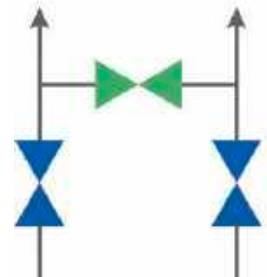
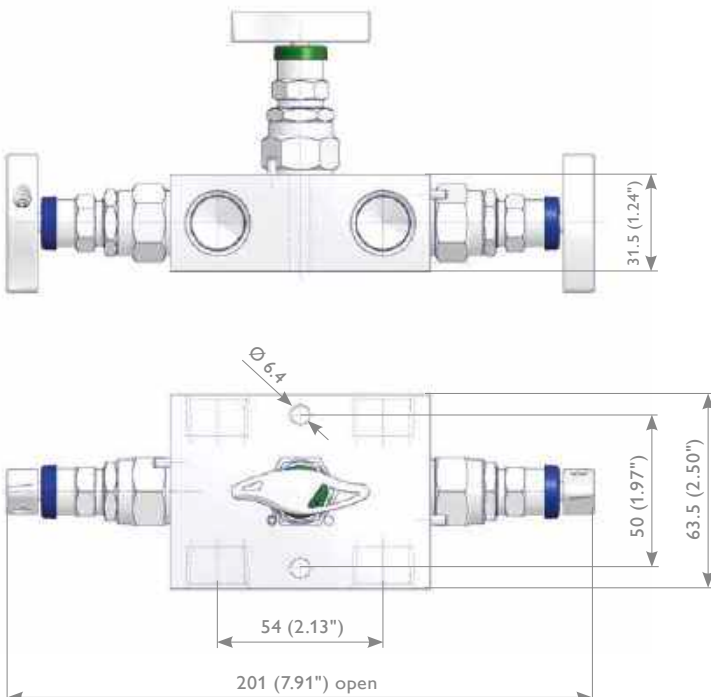
AS-Schneider Remote Mounted Manifolds are designed for remote installation from Pressure Instruments and Differential Pressure Transmitters. The standard vent connection is 1/4 NPT female. Pipe plugs are not installed as standard to 2 and 5 Valve Manifolds. For plugged vent ports (factory installed) - see also options Page 27 – Ordering Information Remote Mounted Manifolds. The standard type of 3 Valve Manifolds is the one without vent connection. The 3 Valve Manifolds with vent connection are supplied with installed pipe plugs as standard. Accessories like Mounting Brackets, Swivel Gauge Adaptors, Pipe Plugs etc. see also Pages 48-53.

The dimensions shown apply only to the illustrated valves (1/2 NPT Threaded) – if you need the dimensions for your individual type or should you still not find your options at all please contact the factory.

2 Valve Manifolds, Remote Mounted R2AA Type

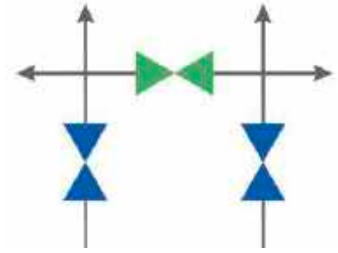
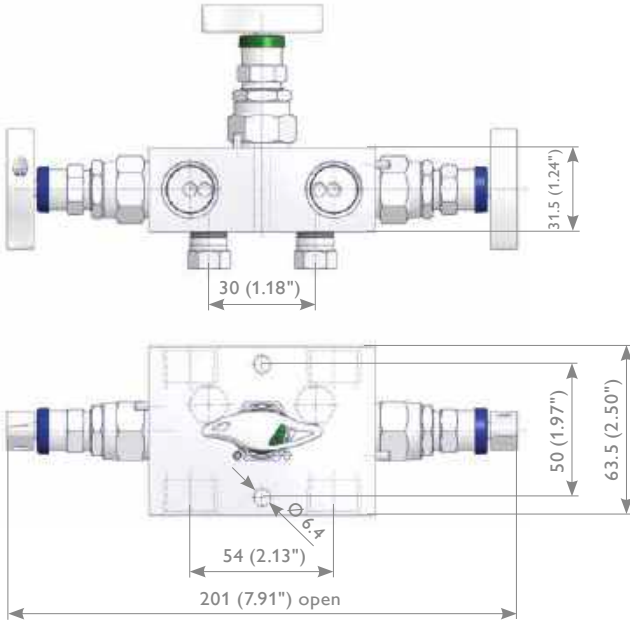


3 Valve Manifolds, Remote Mounted without Vent Connection R3AA Type



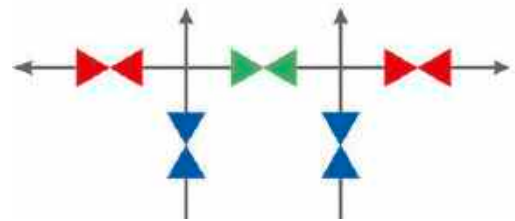
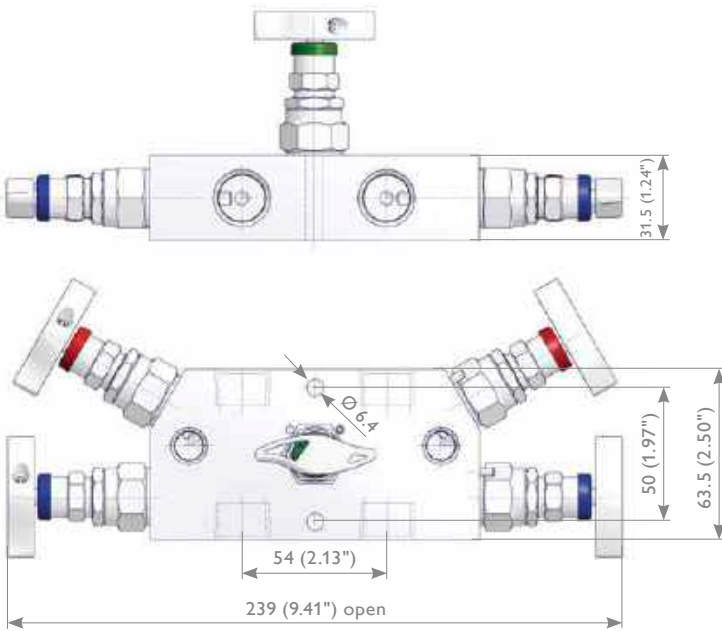
Remote Mounted Manifolds

3 Valve Manifolds, Remote Mounted with Vent Connection 1/4 NPT Female R3BA Type

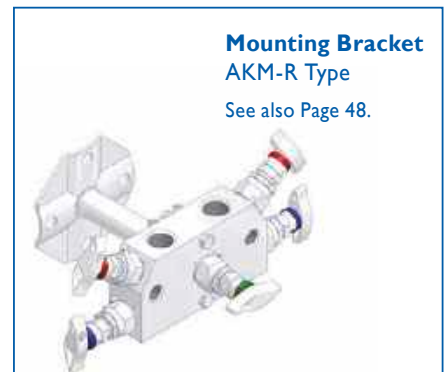
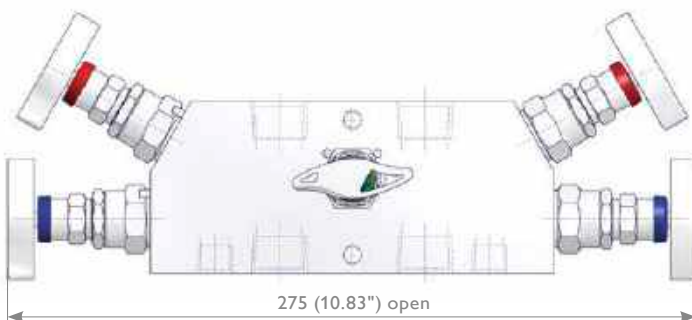


AKM-R Type Mounting Bracket not suitable.

5 Valve Manifolds, Remote Mounted R5AA Type



Vent Ports on Process Side R5GA Type



Ordering Information

	1	2	3	4	5	6	7	8	9	10	11	12	13	14	15	16
	R	3	B	C	H	A	-	S	9	S	9	-	R	U		
R	Remote Mounted Manifolds															
	Quantity Bonnets – 2, 3 or 5															
	Vent Connection															
A	Standard – 2 Valve / 5 Valve Manifold with Vent Ports 1/4 NPT Female, 3 Valve Manifold without Vent Port															
B	Vent Ports 1/4 NPT Female – For 3 Valve Manifolds only															
G	Vent Ports 1/4 NPT on Process Side of the 5 Valve Manifold															
	Inlet and Outlet															
A	Female Connections															
B	1/4 NPT with Tube Fittings															
C	1/2 NPT with Tube Fittings															
	Material															
S	1.4401 / 1.4404 / 316 / 316L				F	Duplex UNS S31803				B	6Mo UNS S31254					
M	Alloy 400 UNS N04400				D	Super Duplex UNS S32750				T	Titanium Grade 2					
H	Alloy C-276 UNS N10276				V	Alloy 625 UNS N06625										
	Bonnet															
A	PTFE				K	O-Ring FKM (FPM by ISO)										
B	Graphite				W	Carbon filled PTFE – TA-Luft										
D	ISO FE Series Type 1				2	Bellows sealed PN 100										
E	ISO FE Series Type 3				4	Bellows sealed PN 250										
	Inlet															
	Thread Type				Fitting Type											
N	NPT				C	Single Ferrule Tube Fitting										
					K	Twin Ferrule Tube Fitting										
	Thread Size				Tube Fitting Sizes											
2	1/4				4	12 resp. 12S										
4	1/2				9	1/2"										
	Outlet															
	Thread Type				Fitting Type											
N	NPT				C	Single Ferrule Tube Fitting										
					K	Twin Ferrule Tube Fitting										
	Thread Size				Tube Fitting Sizes											
2	1/4				4	12 resp. 12S										
4	1/2				9	1/2"										
	Options - Specify in alphabetical order (digits first, then letters)															
B	Cleaned and Lubricated for Oxygen Service – For PTFE Packing only															
F	PCTFE Soft Tip															
G	POM Soft Tip															
S	Stellite Valve Tip															
A	Vent Ports Plugged															
H	10,000 psi (689 bar) for PTFE Packing 7,252 psi (500 bar) for Graphite Packing															
P	Power Piping ASME B31.1 – For Graphite Packing only															
K	Arctic Operations (-55°C (-67°F)) – For PTFE Packing only															
M	Wetted Parts with 3.1 certificate															
	Operation Options															
J	Stainless Steel Handwheel with Locking Plate Design															
T	Anti-Tamper Bonnet (Key to be ordered separately)															
R	Anti-Tamper Bonnet (1 Key supplied per Valve/Manifold)															
Q	AT-Key Lock Bonnet Design															
U	Padlock for Anti-Tamper Bonnet / AT-Key Lock Bonnet Design															
W	Stainless Steel Handwheel															
	Accessory Kits															
8	SST Mounting Bracket AKM-R Type for 2" Pipe Mounting supplied separately – For Vertical Impulse Piping Installations															

Wetted Parts according to a.m. material list are supplied according to NACE MR0175/MR0103 and ISO 15156 (latest issue) - except Titanium Grade 2.
 Note: Not every configuration which can be created in the ordering information is feasible / available.

Direct Mount Manifolds - Wafer Style

Direct Mount Manifolds (2, 3 and 5 Valve Manifolds)

AS-Schneider Direct Mount Manifolds are designed for direct mounting to Pressure and Differential Pressure Transmitters – either Transmitters with standard flange connection in accordance with DIN EN 61518 / IEC 61518 or alternatively to Rosemount 2051/3051 Coplanar™ Pressure Transmitters. The standard vent connection is 1/4 NPT female. Pipe plugs are not installed as standard to 2 and 5 Valve Manifolds. For plugged vent ports (factory installed) and other options see Page 33, 37 and 40 – Ordering Information Direct Mount Manifolds.

The standard type of 3 Valve Manifolds is the one without vent connection. 3 Valve Manifolds with vent connection are supplied with installed pipe plugs as standard. Integral Style 3 Valve Manifolds with Coplanar™ flange connection are provided with vent connections 1/4 NPT female as standard – plugged with vent valves type VS.

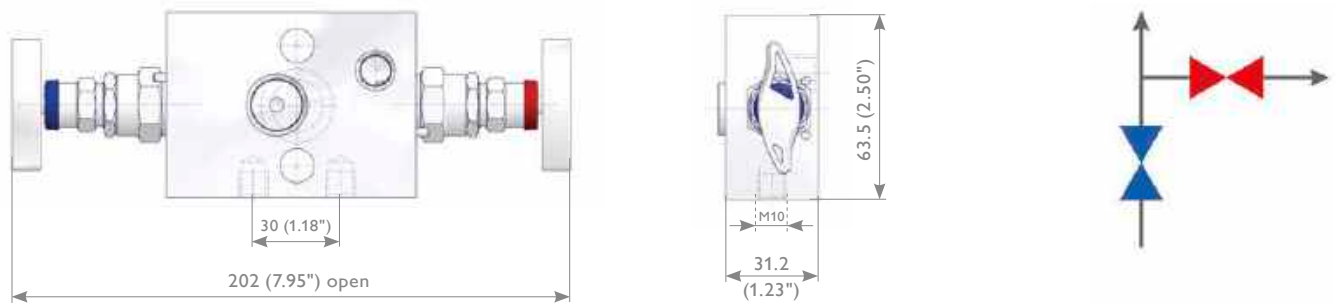
We differentiate between Wafer Style Manifolds (see Page 28-33) and Traditional Style Manifolds (see Page 34-37), the Wafer Type for the Rosemount 2051/3051 Coplanar™ Pressure Transmitter is just called Coplanar™ Style Manifold. You will find the Integral Manifolds for 2051/3051 Coplanar™ Pressure Transmitters on Page 38-40. Accessories like Swivel Gauge Adaptors, Vent Valves etc. see Pages 48-53.

The dimensions shown apply only to the illustrated valves (1/2 NPT Threaded / Flange Interface DIN EN 61518) – if you need the dimensions for your individual type or should you still not find your options at all please contact the factory.

Wafer Style Manifolds

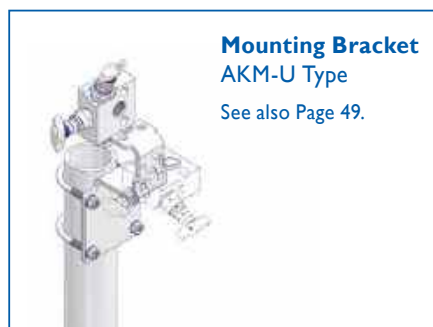
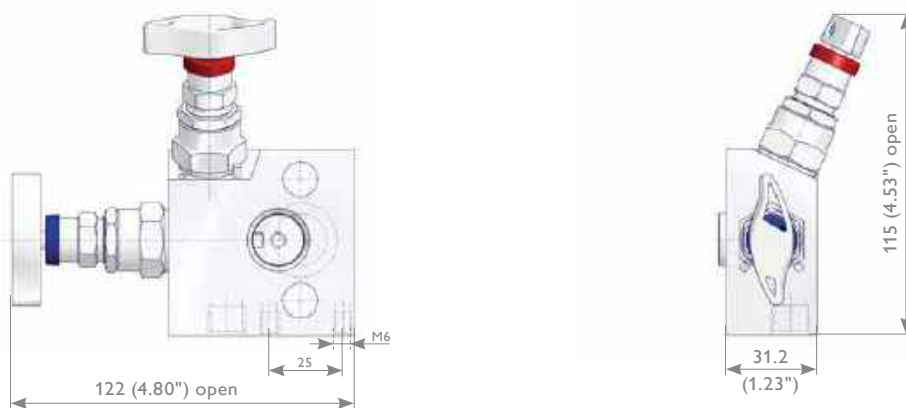
2 Valve Manifolds – Standard

W2AA Type



2 Valve Manifolds – L-Shaped Bonnet Orientation

W2LA Type

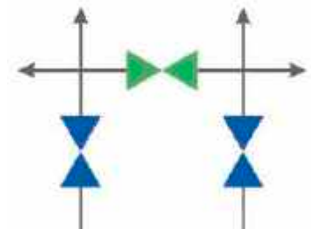
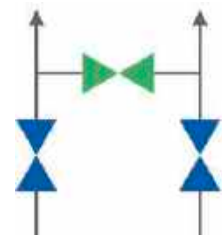
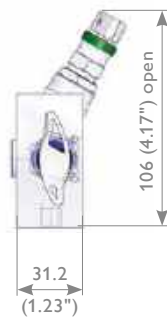
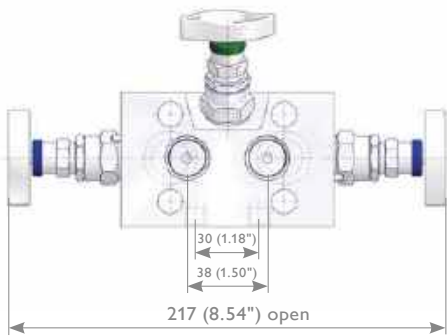


Direct Mount Manifolds - Wafer Style

3 Valve Manifolds – Standard (Female x Flanged)

Without Vent Connection W3AA Type

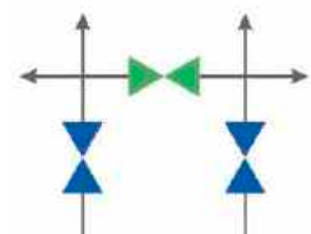
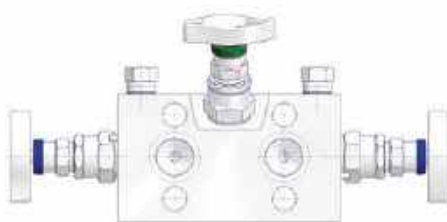
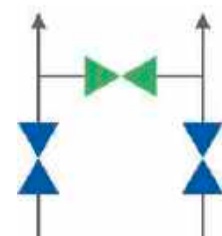
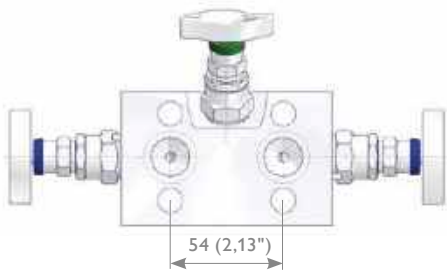
With Vent Connection W3BA Type



3 Valve Manifolds – Standard (Flanged x Flanged)

Without Vent Connection W3AB Type

With Vent Connection W3BB Type

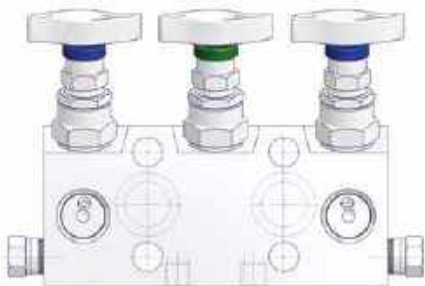
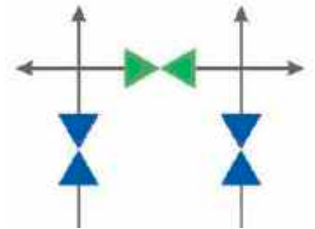
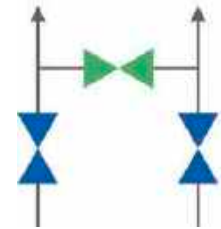
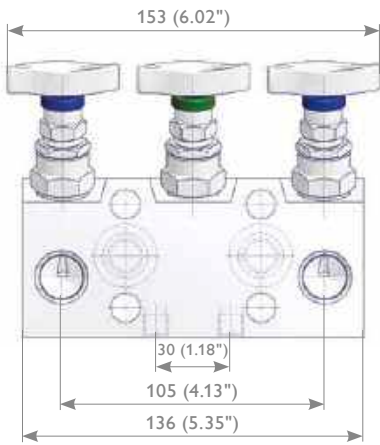


Direct Mount Manifolds - Wafer Style

3 Valve Manifolds – Compact Design (Female x Flanged)

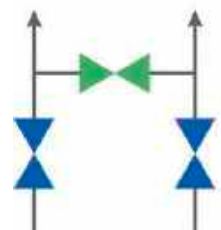
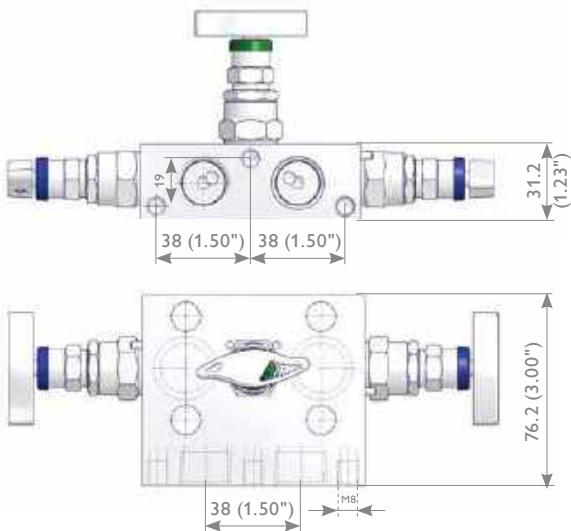
Without Vent Connection W3CA Type

With Vent Connection 1/4 NPT Female W3DA Type



3 Valve Manifolds – Bottom Inlet Design (Female x Flanged)

W3EA Type



For Bottom Inlet Design only

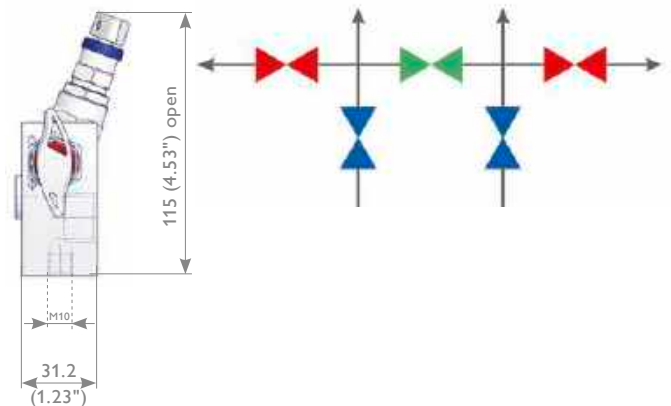
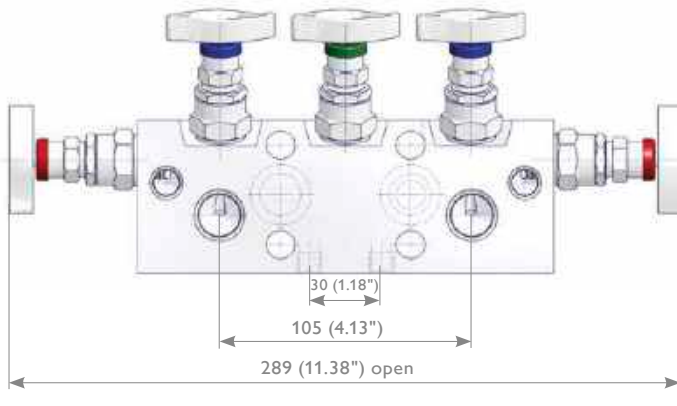


For Compact Design

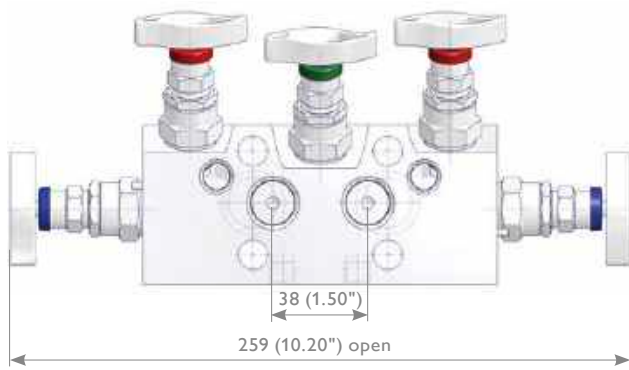


Direct Mount Manifolds - Wafer Style

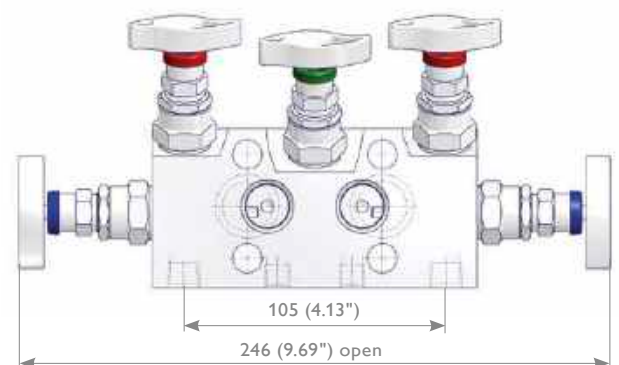
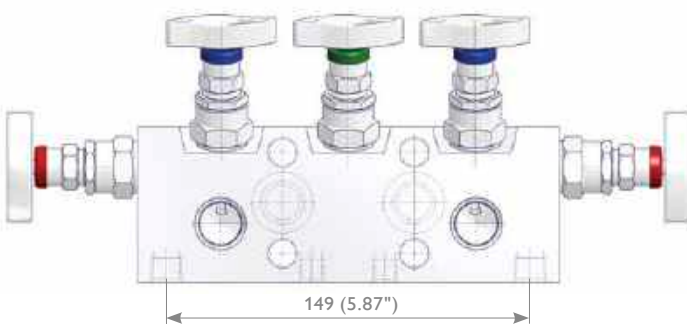
5 Valve Manifolds – Standard (Female x Flanged IEC 61518-A) W5AA Type



5 Valve Manifolds – Female x Flanged IEC 61518-B W5AA Type



5 Valve Manifolds – Female x Flanged Vent Ports on Bottom Face W5GA Type



Illustrated type with IEC 61518-A connection*

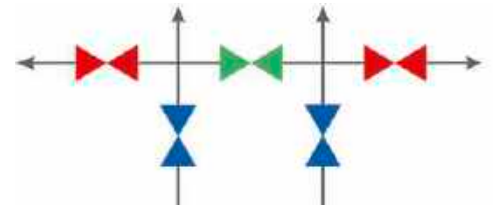
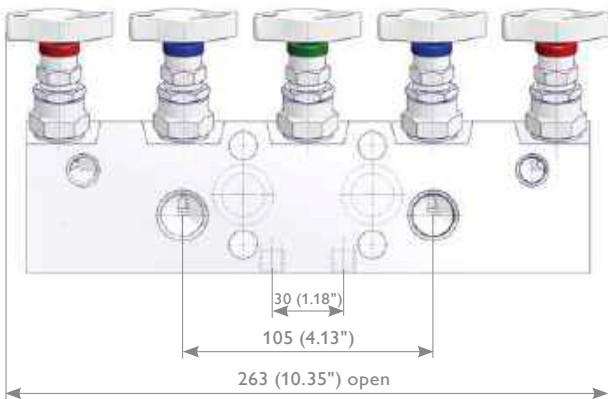
* Other dimensions same as W5AA Type

Illustrated type with IEC 61518-B connection*
Only suitable for AKM-U type Mounting Bracket

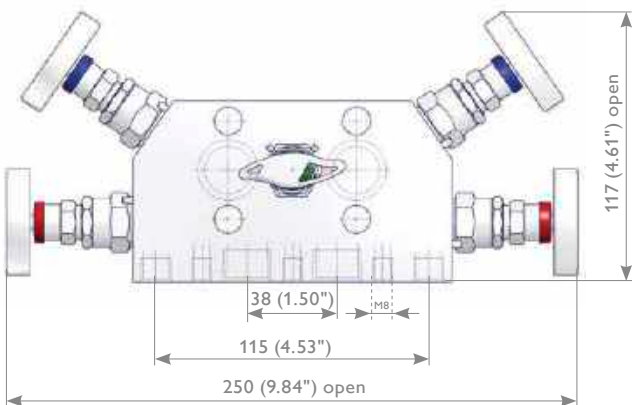
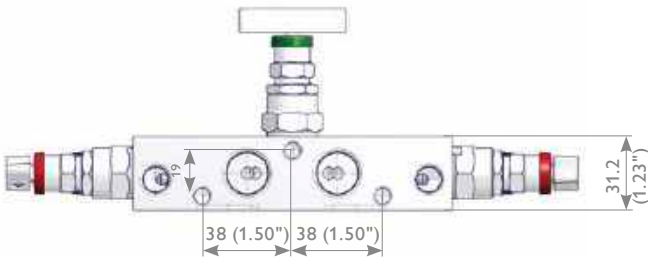


Direct Mount Manifolds - Wafer Style

5 Valve Manifolds – Compact Design (Female x Flanged) W5CA Type



5 Valve Manifolds – Bottom Inlet Design (Female x Flanged) W5EA Type



For Bottom Inlet Design only



For Compact Design



Direct Mount Manifolds - Wafer Style

Ordering Information

	1	2	3	4	5	6	7	8	9	10	11	12	13	14	15	16
W	2	A	A	S	B	-	N	4	T	E	-	A	P	S		
Wafer Style Manifolds																
Quantity Bonnets – 2-5																
Manifold Specifics																
A	Standard – 2 Valve / 5 Valve Manifold with Vent Ports 1/4 NPT Female, 3 Valve Manifold without Vent Port															
B	Vent Ports 1/4 NPT Female Plugged – For 3 Valve Manifolds only ^{*2}															
C	Compact Design – 5 Valve Manifold with Vent Ports 1/4 NPT Female, 3 Valve Manifold without Vent Port															
D	Compact Design – 3 Valve Manifold with Vent Port 1/4 NPT Female															
E	Bottom Inlet Design															
G	Vent Ports on Bottom Face of the 5 Valve Manifold															
L	L-Shaped Bonnet Orientation															
Inlet																
A	Female															
B	Flanged															
C	1/2 NPT with Tube Fittings															
D	G 1/2 with Tube Fittings															
Material																
S	1.4401 / 1.4404 / 316 / 316L				F	Duplex UNS S31803				B	6Mo UNS S31254					
M	Alloy 400 UNS N04400				D	Super Duplex UNS S32750				T	Titanium Grade 2					
H	Alloy C-276 UNS N10276				V	Alloy 625 UNS N06625										
Bonnet																
A	PTFE				K	O-Ring FKM (FPM by ISO)										
B	Graphite				W	Carbon filled PTFE – TA-Luft										
D	ISO FE Series Type 1				2	Bellows sealed PN 100										
E	ISO FE Series Type 3				4	Bellows sealed PN 250										
Inlet																
Thread Type			Fitting Type			Flange Interface										
N	NPT			C	Single Ferrule Tube Fitting			T	Flange Interface							
H	BSP Parallel (G) – DIN 3852			K	Twin Ferrule Tube Fitting											
Thread Size			Tube Fitting Sizes			Flange Interface										
2	1/4			4	12 resp. 12S			4	EN 61518 without 1/4 NPT							
4	1/2			5	14 resp. 14S											
				9	1/2"											
Outlet																
Transmitter Interface																
TD	DIN EN 61518-A															
TE	DIN EN 61518-B															
Options - Specify in alphabetical order (digits first, then letters)																
B	Cleaned and Lubricated for Oxygen Service – For PTFE Packing only															
F	PCTFE Soft Tip															
G	POM Soft Tip															
S	Stellite Valve Tip															
A	Vent Ports Plugged ^{*2}															
P	Power Piping ASME B31.1 – For Graphite Packing only															
K	Arctic Operations (-55°C (-67°F)) – For PTFE Packing only															
M	Wetted Parts with 3.1 certificate															
Operation Options																
J	Stainless Steel Handwheel with Locking Plate Design															
T	Anti-Tamper Bonnet (Key to be ordered separately)															
R	Anti-Tamper Bonnet (1 Key supplied per Valve/Manifold)															
Q	AT-Key Lock Bonnet Design															
U	Padlock for Anti-Tamper Bonnet / AT-Key Lock Bonnet Design															
WV	Stainless Steel Handwheel															
Standard Accessory Kits for Manifold to Transmitter mounting according to DIN EN 61518 / IEC 61518^{*4}																
1	Hex Cap Screw 7/16-20 UNF, Bolt Length 1 3/4", C.S., PTFE Seal Rings															
2	Hex Cap Screw 7/16-20 UNF, Bolt Length 1 3/4", Bolt Material S.S. = 316 Stainless Steel I ASTM A193 B8M Class 2, PTFE Seal Rings															
3	Hex Cap Screw 7/16-20 UNF, Bolt Length 1 3/4", C.S., Graphite Seal Rings															
4	Hex Cap Screw 7/16-20 UNF, Bolt Length 1 3/4", Bolt Material S.S. = 316 Stainless Steel I ASTM A193 B8M Class 2, Graphite Seal Rings															
Mounting Bracket Kits																
7	CST Mounting Bracket AKM-D Type for 2" Pipe Mounting supplied separately – For Vertical Impulse Piping Installations ^{*1,*3}															
8	SST Mounting Bracket AKM-B, or -D Type for 2" Pipe Mounting supplied separately – For Vertical Impulse Piping Installations ^{*1,*3}															
9	SST Mounting Bracket AKM-U Type for 2" Pipe Mounting supplied separately – For Horizontal and Vertical Impulse Piping Installations ^{*1}															

*1 Relevant Bracket Type see Pages 28-32.

*2 For W3B Types Option A is not relevant because it is already included.

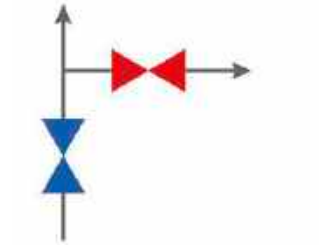
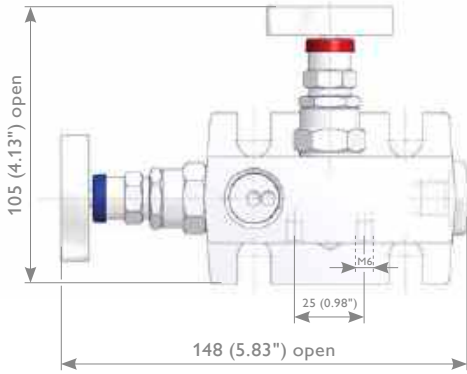
*3 Not applicable for W5GA type with IEC 61518-B connection.

*4 Mentioned bolt length 1 3/4" not applicable for manifold type W3AB/W3BB - the bolt length depends here on the flange thickness of the flange on the process side.

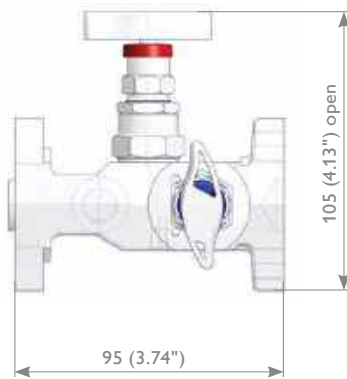
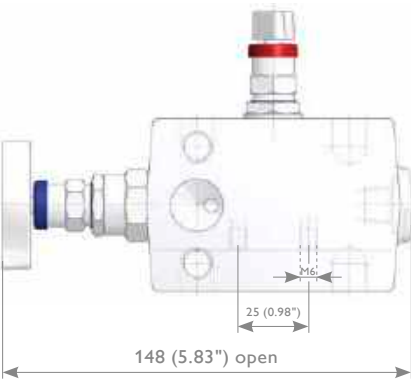
Direct Mount Manifolds - Traditional Style

Traditional Style Manifolds

2 Valve Manifolds – Female x Flanged T2A Type

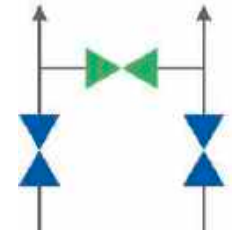
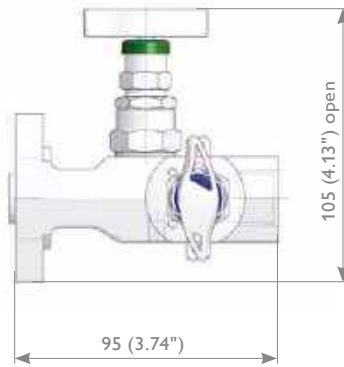
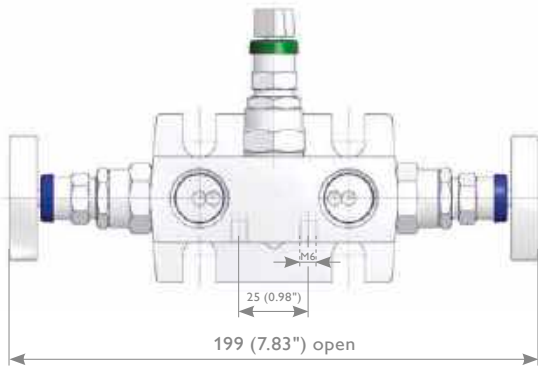


2 Valve Manifolds – Flanged x Flanged H2A Type

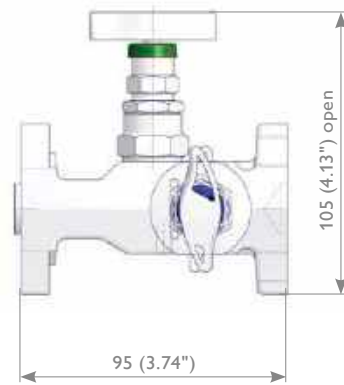
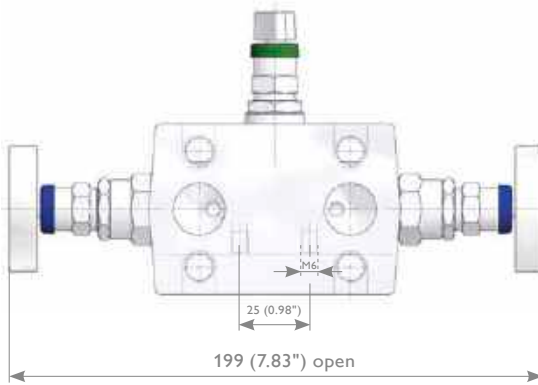


Direct Mount Manifolds - Traditional Style

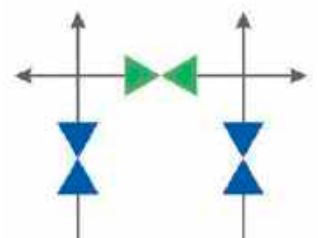
3 Valve Manifolds – Without Vent Connection T3A Type – Female x Flanged



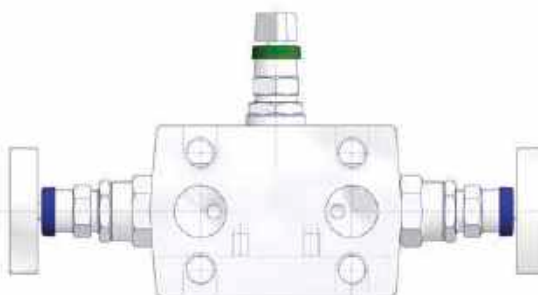
H3A Type – Flanged x Flanged



3 Valve Manifolds – With Vent Connection T3B Type – Female x Flanged

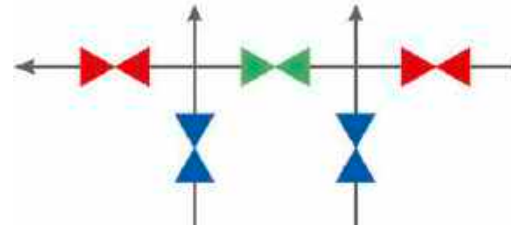
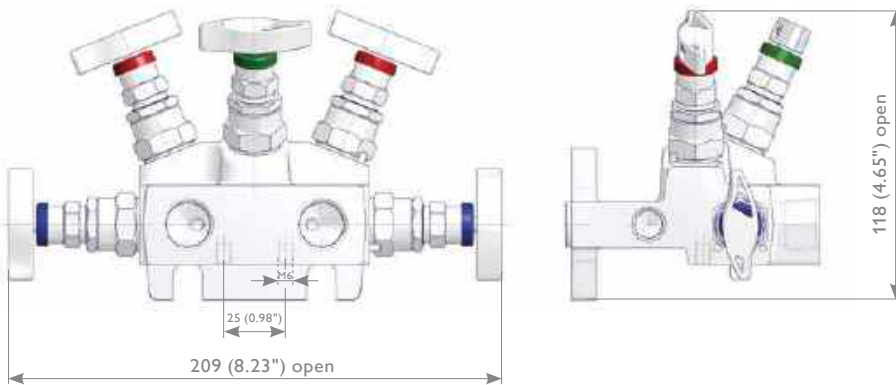


H3B Type – Flanged x Flanged

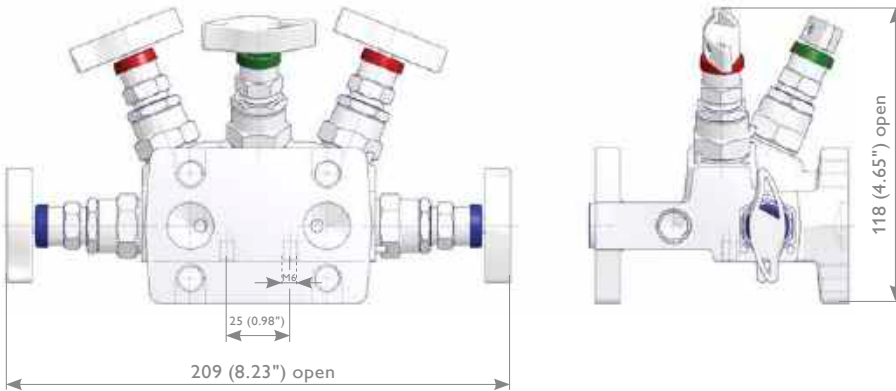


Direct Mount Manifolds - Traditional Style

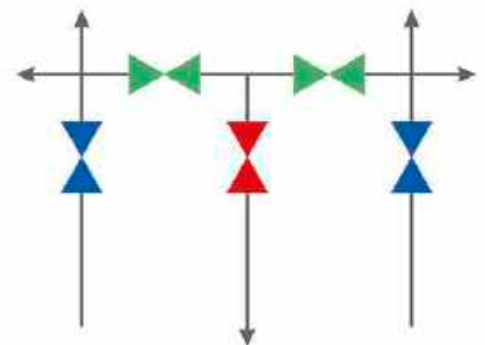
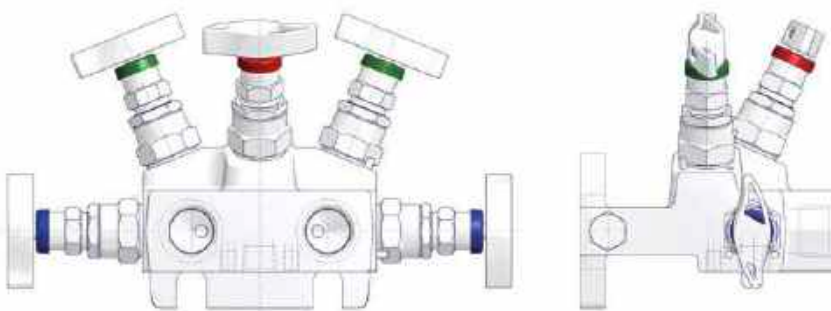
5 Valve Manifolds – Female x Flanged
T5A Type



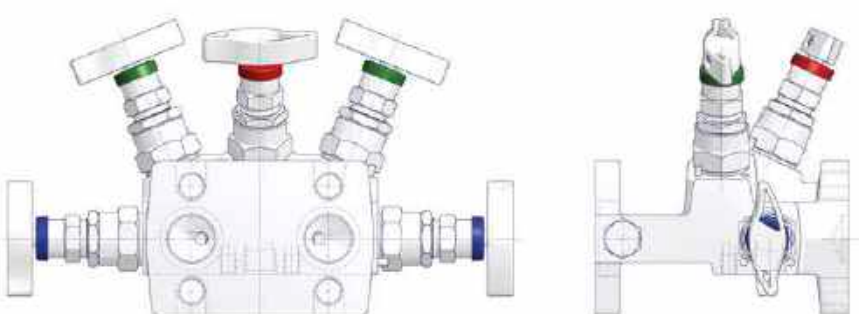
5 Valve Manifolds – Flanged x Flanged
H5A Type



5 Valve Manifolds with Natural Gas Metering Pattern
T5N Type



H5N Type



Direct Mount Manifolds - Traditional Style

Ordering Information

	1	2	3	4	5	6	7	8	9	10	11	12	13	14	15	16
	H	3	B	B	S	A	-	N	4	T	E	-	B	R		
H	H-Style Manifolds															
T	T-Style Manifolds															
	Quantity Bonnets – 2-5															
	Manifold Specifics															
A	Standard – 2 Valve / 5 Valve Manifold with Vent Ports 1/4 NPT Female, 3 Valve Manifold without Vent Port															
B	Vent Ports 1/4 NPT Female Plugged – For 3 Valve Manifolds only ^{*2}															
N	Natural Gas Metering Pattern – For 5 Valve Manifolds only															
	Inlet															
A	Female – For T-Style Manifolds only															
B	Flanged – For H-Style Manifolds only															
C	1/2 NPT with Tube Fittings – For T-Style Manifolds only															
	Material															
S	1.4401 / 1.4404 / 316 / 316L	F	Duplex UNS S31803		B	6Mo UNS S31254										
M	Alloy 400 UNS N04400	D	Super Duplex UNS S32750		T	Titanium Grade 2										
H	Alloy C-276 UNS N10276	V	Alloy 625 UNS N06625													
	Bonnet															
A	PTFE		K	O-Ring FKM (FPM by ISO)												
B	Graphite		W	Carbon filled PTFE – TA-Luft												
D	ISO FE Series Type 1		2	Bellows sealed PN 100												
E	ISO FE Series Type 3		4	Bellows sealed PN 250												
	Inlet															
	Thread Type		Fitting Type		Flange Interface											
N	NPT		C	Single Ferrule Tube Fitting		T Flange Interface										
			K	Twin Ferrule Tube Fitting												
	Thread Size		Tube Fitting Sizes		Flange Interface											
4	1/2		4	12 resp. 12S		4 EN 61518										
			5	14 resp. 14S												
			9	1/2"												
	Outlet															
	Transmitter Interface															
TD	DIN EN 61518-A															
TE	DIN EN 61518-B															
	Options - Specify in alphabetical order (digits first, then letters)															
B	Cleaned and Lubricated for Oxygen Service – For PTFE Packing only															
F	PCTFE Soft Tip															
G	POM Soft Tip															
S	Stellite Valve Tip															
A	Vent Ports Plugged ^{*2}															
P	Power Piping ASME B31.1 – For Graphite Packing only															
K	Arctic Operations (-55°C (-67°F)) – For PTFE Packing only															
M	Wetted Parts with 3.1 certificate															
	Operation Options															
J	Stainless Steel Handwheel with Locking Plate Design															
T	Anti-Tamper Bonnet (Key to be ordered separately)															
R	Anti-Tamper Bonnet (1 Key supplied per Valve/Manifold)															
Q	AT-Key Lock Bonnet Design															
U	Padlock for Anti-Tamper Bonnet / AT-Key Lock Bonnet Design															
W	Stainless Steel Handwheel															
	Standard Accessory Kits for Manifold to Transmitter mounting according to DIN EN 61518 / IEC 61518															
1	Hex Cap Screw 7/16-20 UNF, Bolt Length 1" and Washer in C.S., PTFE Seal Rings															
2	Hex Cap Screw 7/16-20 UNF, Bolt Length 1" and Washer in S.S., PTFE Seal Rings ^{*3}															
3	Hex Cap Screw 7/16-20 UNF, Bolt Length 1" and Washer in C.S., Graphite Seal Rings															
4	Hex Cap Screw 7/16-20 UNF, Bolt Length 1" and Washer in S.S., Graphite Seal Rings ^{*3}															
	Mounting Bracket Kits															
9	SST Mounting Bracket AKM-U Type for 2" Pipe Mounting supplied separately – For Horizontal and Vertical Impulse Piping Installations ^{*1}															

^{*1} Relevant Bracket Type see Pages 34-36.

^{*2} For H3B/T3B Types Option A is not relevant because it's already included.

^{*3} Bolt Material S.S. = 316 Stainless Steel | ASTM A193 B8M Class 2

Wetted Parts according to a.m. material list are supplied according to NACE MR0175/MR0103 and ISO 15156 (latest issue) - except Titanium Grade 2.

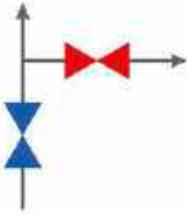
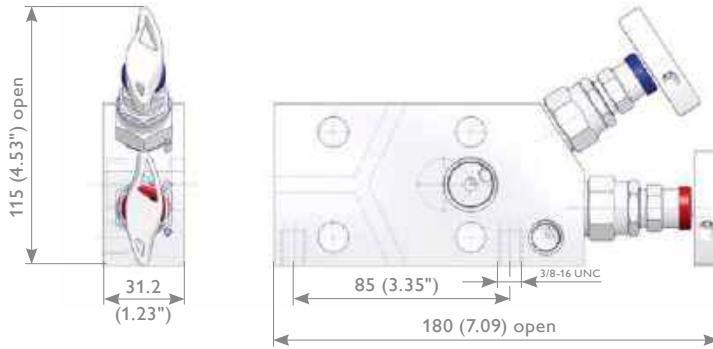
Note: Not every configuration which can be created in the ordering information is feasible / available.

Direct Mount Manifolds - Integral Style

Integral Manifolds for Rosemount 2051/3051 Coplanar™ Pressure Transmitters

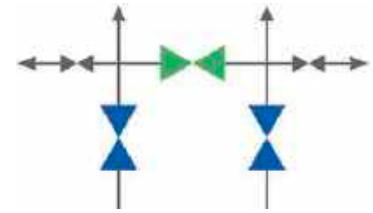
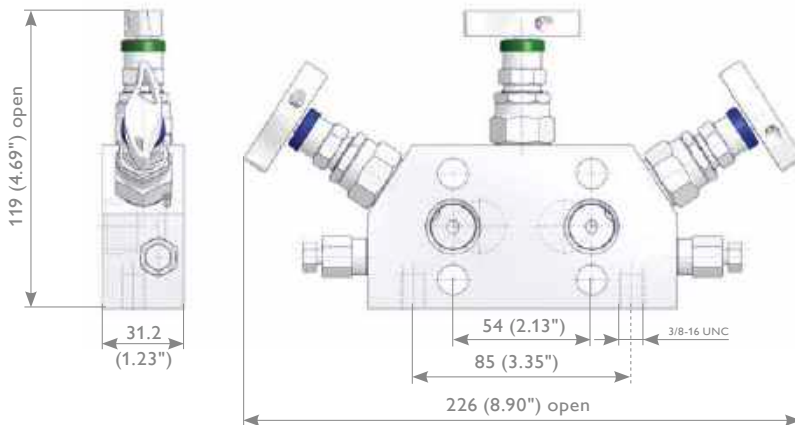
Coplanar™ Style Manifolds

2 Valve Integral Manifolds W2RA Type



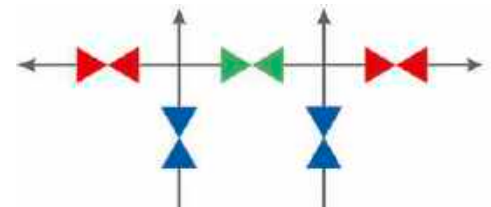
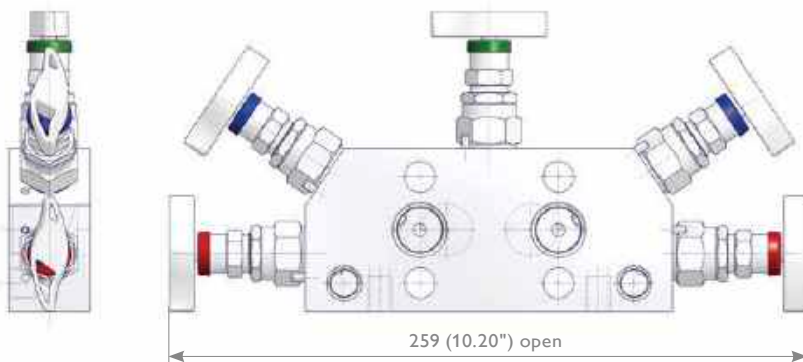
3 Valve Integral Manifolds W3RA Type

Supplied as standard with vent valves – fitted



5 Valve Integral Manifolds W5RA Type

W5RA Type



Mounting Bracket AKM-C Type

See also Page 48.



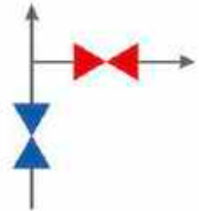
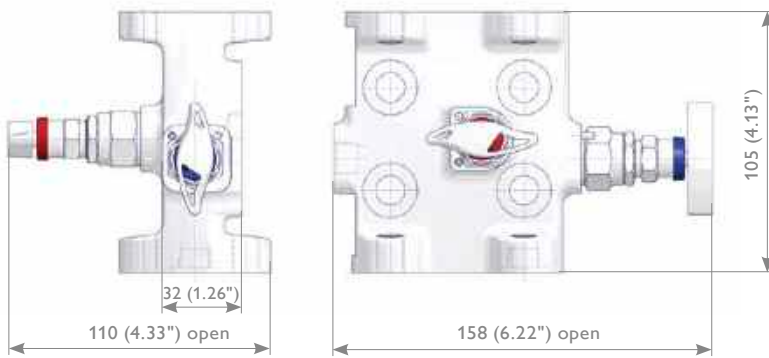
Direct Mount Manifolds - Integral Style

Traditional Style Integral Manifolds

Inlet with Flange Interface DIN EN 61518 / IEC 61518 and 1/4 NPT female only.

2 Valve Integral Manifolds

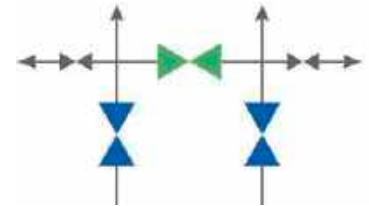
H2TB Type



3 Valve Integral Manifolds

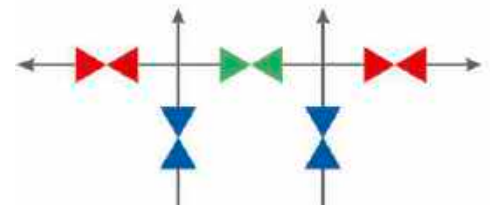
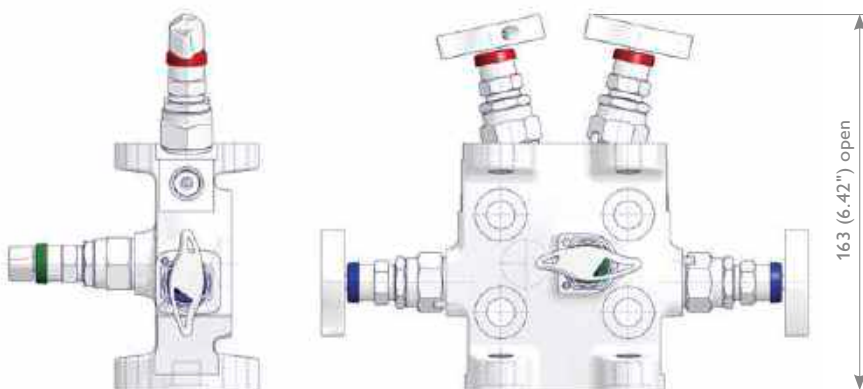
H3TB Type

Supplied as standard with vent valves – fitted



5 Valve Integral Manifolds

H5TB Type



Direct Mount Manifolds - Integral Style

Ordering Information

	1	2	3	4	5	6	7	8	9	10	11	12	13	14	15	16
	W	3	R	A	S	A	-	N	4	T	F	-	M	S	T	
W	Coplanar™ Style Manifolds															
H	Traditional Style Integral Manifolds															
Quantity Bonnets - 2-5																
Manifold Specifics																
R	Integral Manifold – Coplanar™ Style															
T	Integral Manifold – Traditional Style															
Inlet																
A	Female															
B	Flanged – For Traditional Style Integral Manifolds only															
C	1/2 NPT with Tube Fitting															
Material																
S	1.4401 / 1.4404 / 316 / 316L	F	Duplex UNS S31803		B	6Mo UNS S31254										
M	Alloy 400 UNS N04400	D	Super Duplex UNS S32750		T	Titanium Grade 2										
H	Alloy C-276 UNS N10276	V	Alloy 625 UNS N06625													
Bonnet																
A	PTFE	K	O-Ring FKM (FPM by ISO)													
B	Graphite	W	Carbon filled PTFE - TA-Luft													
D	ISO FE Series Type 1	2	Bellows sealed PN 100													
E	ISO FE Series Type 3	4	Bellows sealed PN 250													
Inlet																
Thread Type		Fitting Type		Flange Interface												
N	NPT	C	Single Ferrule Tube Fitting		T	Flange Interface										
		K	Twin Ferrule Tube Fitting													
Thread Size		Tube Fitting Sizes		Flange Interface												
4	1/2	4	12 resp. 12S		3	EN 61518 with 1/4 NPT Female – For Traditional Style Integral Manifolds										
		9	1/2"													
Outlet																
Transmitter Interface																
TF	Rosemount 2051/3051 Coplanar™ Pressure Transmitter															
Options - Specify in alphabetical order (digits first, then letters)																
B	Cleaned and Lubricated for Oxygen Service – For PTFE Packing only															
F	PCTFE Soft Tip															
G	POM Soft Tip															
S	Stellite Valve Tip															
A	Vent Ports Plugged															
P	Power Piping ASME B31.1 – For Graphite Packing only															
K	Arctic Operations (-55°C (-67°F)) – For PTFE Packing only															
M	Wetted Parts with 3.1 certificate															
Operation Options																
J	Stainless Steel Handwheel with Locking Plate Design															
T	Anti-Tamper Bonnet (Key to be ordered separately)															
R	Anti-Tamper Bonnet (1 Key supplied per Valve/Manifold)															
Q	AT-Key Lock Bonnet Design															
U	Padlock for Anti-Tamper Bonnet / AT-Key Lock Bonnet Design															
WV	Stainless Steel Handwheel															
Mounting Bracket Kits																
7	CST Mounting Bracket AKM-C Type for 2" Pipe Mounting supplied separately – For Vertical Impulse Piping Installations*															
8	SST Mounting Bracket AKM-C Type for 2" Pipe Mounting supplied separately – For Vertical Impulse Piping Installations*															
9	SST Mounting Bracket AKM-T Type for 2" Pipe Mounting supplied separately – For Horizontal Impulse Piping Installations*															

* Relevant Bracket Type see Pages 38-39.

Wetted Parts according to a.m. material list are supplied according to NACE MR0175/MR0103 and ISO 15156 (latest issue) - except Titanium Grade 2.
Note: Not every configuration which can be created in the ordering information is feasible / available.

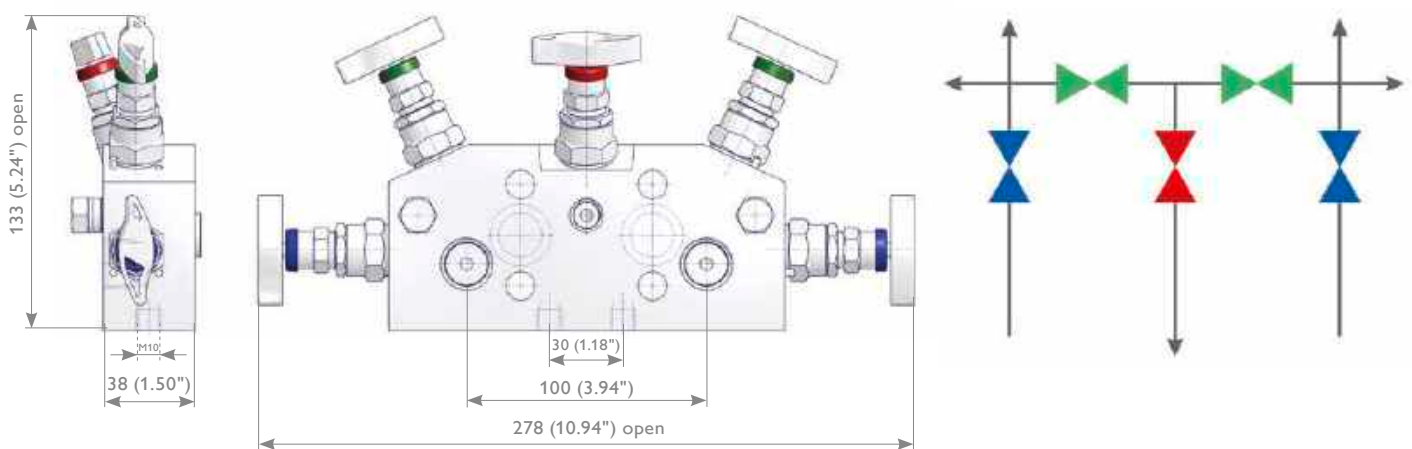
5 Valve Manifolds with Natural Gas Metering Pattern

5 Valve Manifolds with Natural Gas Metering Pattern

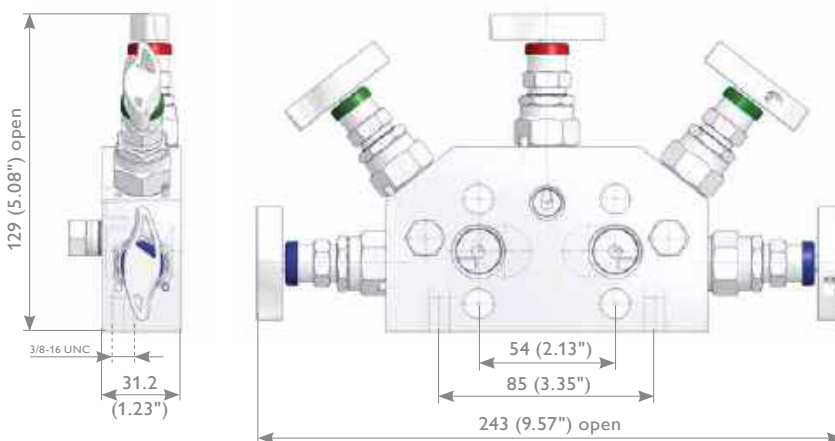
AS-Schneider is manufacturing various 5 Valve Manifold Designs with Natural Gas Metering Pattern for direct mounting to Differential Pressure Transmitters – either Transmitters with standard flange connection in accordance with IEC 61518 or alternatively to Rosemount 2051/3051 Coplanar™ Pressure Transmitters. The standard vent connection is 1/4 NPT female. Pipe plugs are not installed as standard. For plugged vent ports (factory installed) and other options see Page 42 – Ordering Information 5 Valve Manifolds with Natural Gas Metering Pattern. The standard test connection is 1/4 NPT female plugged. Accessories like Swivel Gauge Adaptors, Vent Valves etc. see Pages 48-53.

The dimensions shown apply only to the illustrated valves (1/2 NPT Threaded) – if you need the dimensions for your individual type or should you still not find your options at all please contact the factory.

5 Valve Manifolds - Instrument Connection acc. to. IEC 61518 5AAF Type



5 Valve Integral Manifolds - Instrument Connection for Rosemount 2051/3051 Coplanar™ Pressure Transmitter 5DAF Type



Manifold Type D (For Rosemount Coplanar™ Transmitter)



Manifold Type A (DIN EN 61518 / IEC 61518)



5 Valve Manifolds with Natural Gas Metering Pattern

Ordering Information

	1	2	3	4	5	6	7	8	9	10	11	12	13	14	15	16
	5	A	A	T	S	K	-	C	4	A	D	-	A	F	M	
5	5 Valve Manifolds with Natural Gas Metering Pattern															
Manifold Type																
A	Outlet DIN EN 61518-A – Test Connection 1/4 NPT - Vent Port 1/4 NPT – Inlet 1/2 NPT															
D	Outlet for Rosemount 2051/3051 Coplanar™ Pressure Transmitter – Test Connection 1/4 NPT – Vent Port 1/4 NPT – Inlet 1/2 NPT															
Vent Connection																
A	1/4 NPT Female	E	1/4 NPT with Single Ferrule Tube Fitting 12S													
C	1/4 NPT with Twin Ferrule Tube Fitting 12 mm															
Inlet																
F	Female															
T	Tube Fitting															
Material																
S	1.4401 / 1.4404 / 316 / 316L	F	Duplex UNS S31803		B	6Mo UNS S31254										
M	Alloy 400 UNS N04400		D	Super Duplex UNS S32750		T	Titanium Grade 2									
H	Alloy C-276 UNS N10276		V	Alloy 625 UNS N06625												
Bonnet																
A	PTFE		K	O-Ring FKM (FPM by ISO)												
B	Graphite		W	Carbon filled PTFE – TA-Luft												
D	ISO FE Series Type 1		2	Bellows sealed PN 100												
E	ISO FE Series Type 3		4	Bellows sealed PN 250												
Inlet																
Thread Size		Fitting Type		Tube Fitting Sizes												
N4	NPT		C	Single Ferrule Tube Fitting		4	12 resp. 12S									
			K	Twin Ferrule Tube Fitting												
Test Connection																
A	1/4 NPT Female plugged															
Outlet																
Transmitter Interface																
D	DIN EN 61518-A															
F	Rosemount 2051/3051 Coplanar™ Pressure Transmitter															
Options - Specify in alphabetical order (digits first, then letters)																
B	Cleaned and Lubricated for Oxygen Service –For PTFE Packing only															
F	PCTFE Soft Tip															
G	POM Soft Tip															
S	Stellite Valve Tip															
A	Vent Ports Plugged															
P	Power Piping ASME B31.1 – For Graphite Packing only															
K	Arctic Operations (-55°C (-67°F)) – For PTFE Packing only															
M	Wetted Parts with 3.1 certificate															
Operation Options																
J	Stainless Steel Handwheel with Locking Plate Design															
T	Anti-Tamper Bonnet (Key to be ordered separately)															
R	Anti-Tamper Bonnet (1 Key supplied per Valve/Manifold)															
Q	AT-Key Lock Bonnet Design															
U	Padlock for Anti-Tamper Bonnet / AT-Key Lock Bonnet Design															
W	Stainless Steel Handwheel															
Accessory Kits for Manifold to Transmitter mounting according to DIN EN 61518 - For 5A Type only (not for 5D Type)																
1	Hex Cap Screw 7/16-20 UNF, Bolt Length 2", C.S., PTFE Seal Rings															
2	Hex Cap Screw 7/16-20 UNF, Bolt Length 2", S.S., PTFE Seal Rings*															
3	Hex Cap Screw 7/16-20 UNF, Bolt Length 2", C.S., Graphite Seal Rings															
4	Hex Cap Screw 7/16-20 UNF, Bolt Length 2", S.S., Graphite Seal Rings*															
Mounting Bracket Kits																
7	CST Mounting Bracket AKM-C or -D Type for 2" Pipe Mounting supplied separately – For Vertical Impulse Piping Installations															
8	SST Mounting Bracket AKM-C or -D Type for 2" Pipe Mounting supplied separately – For Vertical Impulse Piping Installations															

* Bolt Material S.S. = 316 Stainless Steel | ASTM A193 B8M Class 2

Wetted Parts according to a.m. material list are supplied according to NACE MR0175/MR0103 and ISO 15156 (latest issue) - except Titanium Grade 2.
Note: Not every configuration which can be created in the ordering information is feasible / available.

Enclosure Manifolds EDM Series

Enclosure Manifolds EDM Series (2, 3 and 5 Valve Manifolds)

AS-Schneider Enclosure Manifolds EDM Series are manufactured for applications that require the transmitter to be mounted in an enclosure for environmental protection. The standard vent connection is 1/4 NPT female. Pipe plugs are not installed as standard. For plugged vent ports (factory installed) and other options see page 45– Ordering Information Enclosure Manifolds.

The dimensions shown apply only to the illustrated valves (1/2 NPT Threaded) – if you need the dimensions for your individual type or should you still not find your options at all please contact the factory.

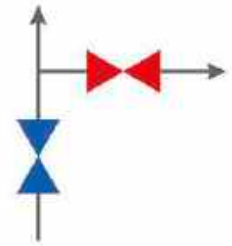
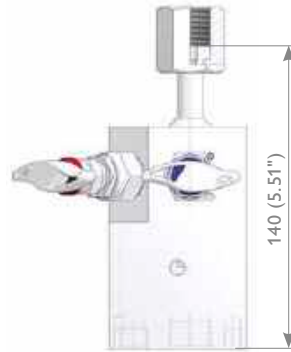
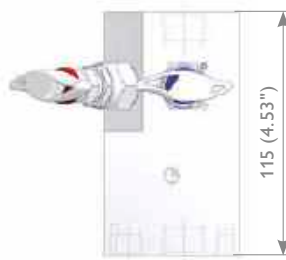
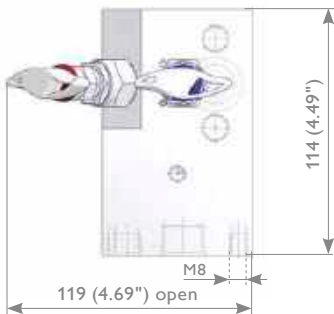
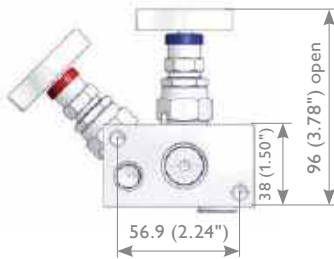
2 Valve Manifolds

Transmitter Connection

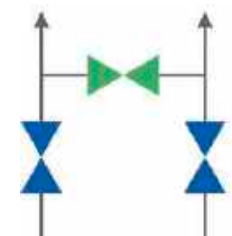
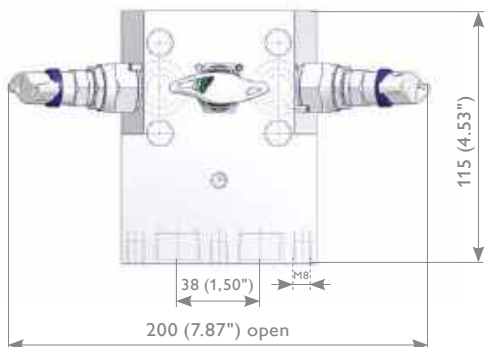
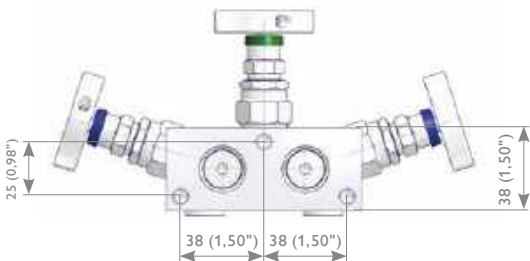
Acc. to DIN EN 61518
E2AA Type

1/2 NPT Female
E2AC Type

Swivel Nut
E2AE Type



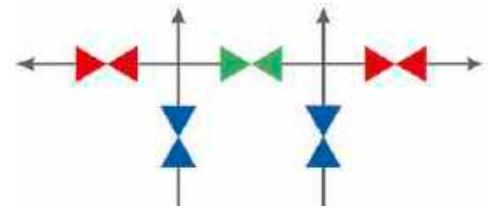
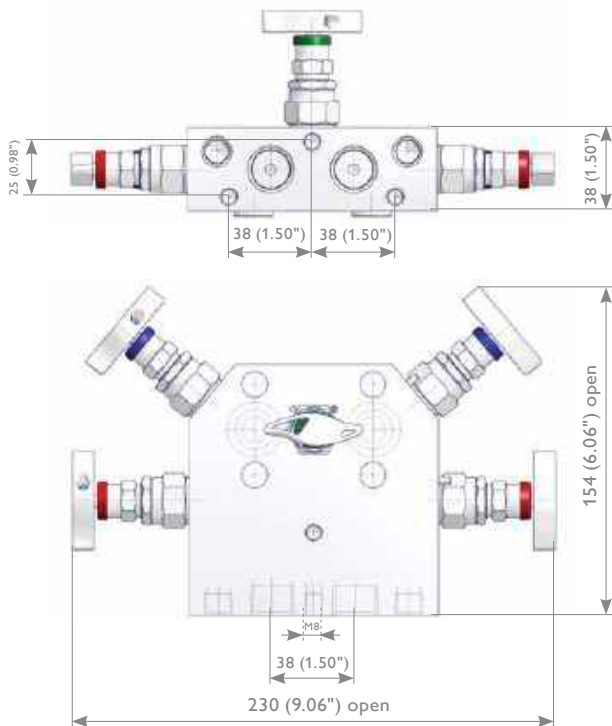
3 Valve Manifolds – Female x Flanged E3AA Type



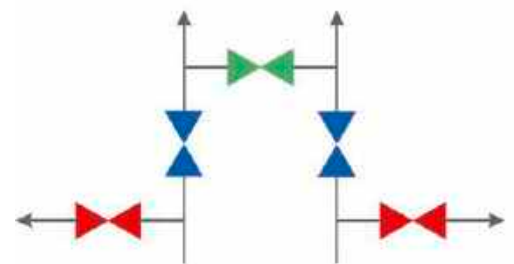
Enclosure Manifolds EDM Series

5 Valve Manifolds – Female x Flanged

- Standard Flow Schematic → E5AA Type
- Upstream Vent Schematic → E5UA Type



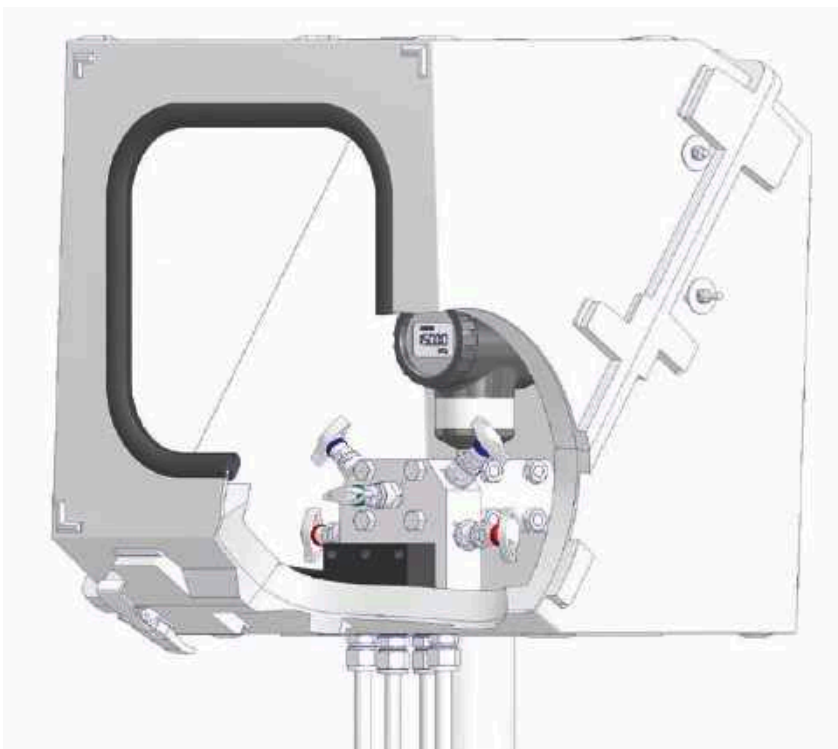
E5UA Type



Enclosure Systems

AS-Schneider Enclosure Systems have been developed to provide a weatherproof barrier for every type of installation. Modern process measurement instrumentation needs protection not only from the effects of sun, rain, frost, aggressive atmosphere or dirt but also from accidental damage or unauthorized access.

The Enclosure Manifolds allow direct mounting to a baseplate or a back plate of the enclosures. A lot of accessories such as electrical heating systems, thermostats, junction boxes, grommets and pipestands are available. Designed and fitted out to customer's specifications AS-Schneider is supplying the complete solution - enclosure, manifolds and all accessories needed – for an easy on-site installation. For more details please contact the factory.



Manifold Mounting Options



Ordering Information

	1	2	3	4	5	6	7	8	9	10	11	12	13	14	15	16	
	E	5	A	A	S	A	-	N	4	T	D	-	R				
E	Enclosure Manifolds EDM Series																
	Quantity Bonnets – 2-5																
	Manifold Specifics																
A	Standard - 2 Valve / 5 Valve Manifold with Vent Ports 1/4 NPT Female, 3 Valve Manifold without Vent Port																
C	Vent 1/4 NPT with Tube Fitting 12 mm																
U	Upstream Vent Type (5 Valve Manifold only)																
	Inlet x Outlet Configuration																
A	Female x Flanged			D	1/2 NPT with Tube Fitting x Female												
B	1/2 NPT with Tube Fitting x Flanged			E	Female x Swivel Nut												
C	Female x Female			F	1/2 NPT with Tube Fitting x Swivel Nut												
	Material																
S	1.4401 / 1.4404 / 316 / 316L			F	Duplex UNS S31803			B	6Mo UNS S31254								
M	Alloy 400 UNS N04400			D	Super Duplex UNS S32750			T	Titanium Grade 2								
H	Alloy C-276 UNS N10276			V	Alloy 625 UNS N06625												
	Bonnet																
A	PTFE			K	O-Ring FKM (FPM by ISO)												
B	Graphite			W	Carbon filled PTFE – TA-Luft												
D	ISO FE Series Type 1			2	Bellows sealed PN 100												
E	ISO FE Series Type 3			4	Bellows sealed PN 250												
	Inlet																
	Thread Type			Fitting Type													
N	NPT			C	Single Ferrule Tube Fitting												
				K	Twin Ferrule Tube Fitting												
	Thread Size			Tube Fitting Sizes													
2	1/4			4	12 resp. 12S												
4	1/2			5	14 resp. 14S												
				9	1/2"												
	Outlet																
	Thread Size - 2 Valve Manifolds only			Transmitter Interface													
N4	1/2 NPT Female			TD	DIN EN 61518-A												
G4	G 1/2 Swivel Nut			TE	DIN EN 61518-B												
M4	M20x1.5 Swivel Nut			TF	Rosemount 2051/3051 Coplanar™ Pressure Transmitter												
	Options - Specify in alphabetical order (digits first, then letters)																
B	Cleaned and Lubricated for Oxygen Service – For PTFE Packing only																
F	PCTFE Soft Tip																
G	POM Soft Tip																
S	Stellite Valve Tip																
A	Vent Ports Plugged																
P	Power Piping ASME B31.1 – For Graphite Packing only																
K	Arctic Operations (-55°C (-67°F)) – For PTFE Packing only																
M	Wetted Parts with 3.1 certificate																
	Operation Options																
J	Stainless Steel Handwheel with Locking Plate Design																
T	Anti-Tamper Bonnet (Key to be ordered separately)																
R	Anti-Tamper Bonnet (1 Key supplied per Valve/Manifold)																
Q	AT-Key Lock Bonnet Design																
U	Padlock for Anti-Tamper Bonnet / AT-Key Lock Bonnet Design																
W	Stainless Steel Handwheel																
	Standard Accessory Kits for Manifold to Transmitter mounting according to DIN EN 61518 / IEC 61518																
1	Hex Cap Screw 7/16-20 UNF Bolt Length 2", C.S., PTFE Seal Rings																
2	Hex Cap Screw 7/16-20 UNF Bolt Length 2", S.S., PTFE Seal Rings*																
3	Hex Cap Screw 7/16-20 UNF Bolt Length 2", C.S., Graphite Seal Rings																
4	Hex Cap Screw 7/16-20 UNF Bolt Length 2", S.S., Graphite Seal Rings*																

* Bolt Material S.S. = 316 Stainless Steel I ASTM A193 B8M Class 2

Wetted Parts according to a.m. material list are supplied according to NACE MR0175/MR0103 and ISO 15156 (latest issue) - except Titanium Grade 2.

Note: Not every configuration which can be created in the ordering information is feasible / available.

3 and 5 Valve Manifolds for Differential Pressure Gauges

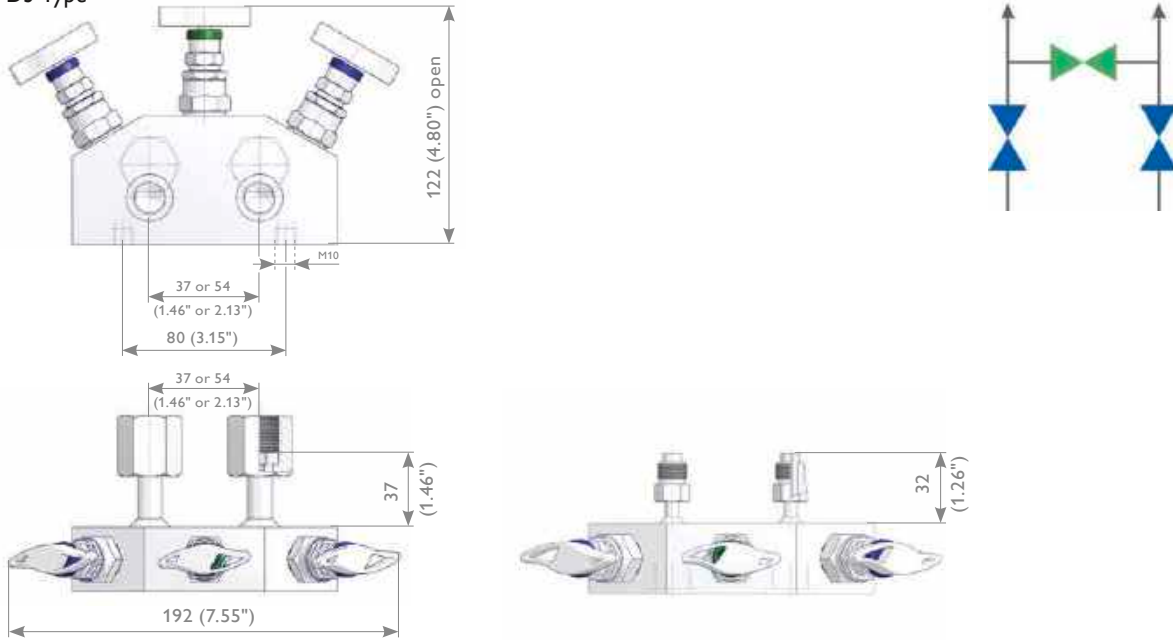
Differential Pressure Gauge Manifolds

AS-Schneider Manifolds for Differential Pressure Gauges are available with a center to center distance of 37 mm or 54 mm as standard. The instrument connections are supplied with a Swivel Nut or a Swivel Male Connection. The standard vent connection is 1/4 NPT female. Pipe plugs are not installed as standard. For plugged vent ports (factory installed) and other options see Page 47 – Ordering Information Differential Pressure Gauge Manifolds. Accessories like Swivel Gauge Adaptors, Vent Valves etc. see Pages 48-53.

The dimensions shown apply only to the illustrated valves (G 3/8 Threaded) – if you need the dimensions for your individual type or should you still not find your options at all please contact the factory.

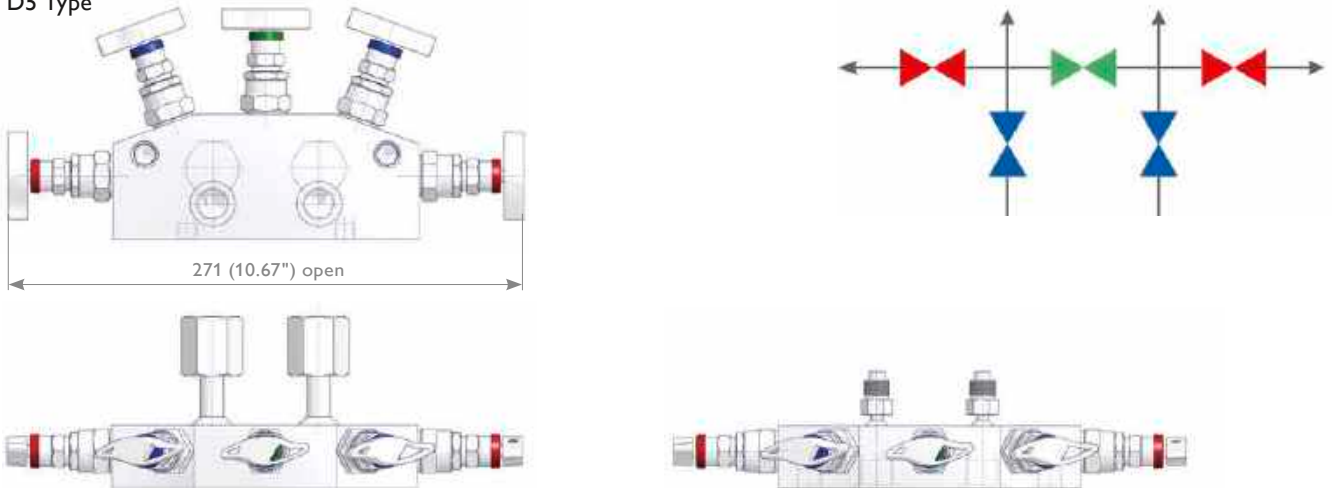
3 Valve Manifolds for Differential Pressure Gauges

D3 Type



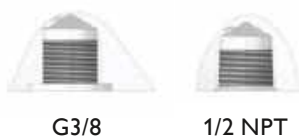
5 Valve Manifolds for Differential Pressure Gauges

D5 Type



Inlet Configurations

Female Thread



G3/8

1/2 NPT

Male Connector



G1/2

1/2 NPT

Tube Fitting



Mounting Bracket
AKM-D Type

See also Page 48.

3 and 5 Valve Manifolds for Differential Pressure Gauges

Ordering Information

	1	2	3	4	5	6	7	8	9	10	11	12	13	14	15	16	
	D	3	B	B	S	A	-	H	3	G	2	-	8	M			
D	Differential Pressure Gauge Manifolds																
	Quantity Bonnets – 3 or 5																
	Manifold Specifics																
	Thread Size Inlet x Distance from Center to Center for Differential Pressure Gauge																
A	G 3/8 x 37 mm				C	1/2 NPT x 37 mm											
B	G 3/8 x 54 mm				D	1/2 NPT x 54 mm											
	Inlet x Outlet Configuration																
A	Female x Swivel Nut				D	Tube Fitting x Swivel Male											
B	Female x Swivel Male				E	Male Connector x Swivel Nut											
C	Tube Fitting x Swivel Nut				F	Male Connector x Swivel Male											
	Material																
S	1.4401 / 1.4404 / 316 / 316L				F	Duplex UNS S31803				B	6Mo UNS S31254						
M	Alloy 400 UNS N04400				D	Super Duplex UNS S32750				T	Titanium Grade 2						
H	Alloy C-276 UNS N10276				V	Alloy 625 UNS N06625											
	Bonnet																
A	PTFE				K	O-Ring FKM (FPM by ISO)											
B	Graphite				W	Carbon filled PTFE – TA-Luft											
D	ISO FE Series Type 1				2	Bellows sealed PN 100											
E	ISO FE Series Type 3				4	Bellows sealed PN 250											
	Inlet																
	Thread Type				Fitting Type				Tube Fitting Sizes								
N4	1/2 NPT				C	Single Ferrule Tube Fitting				4	12 resp. 12S						
H3	G 3/8 – DIN 3852 (Female only)				K	Twin Ferrule Tube Fitting				5	14 resp. 14S						
G4	G 1/2 – EN 837-1 (Male only)									9	1/2"						
	Outlet																
	Thread Type																
G2	G 1/4 Swivel Male																
G4	G 1/2 Swivel Nut or Swivel Male																
M4	M 20 x 1.5 Swivel Nut																
	Options - Specify in alphabetical order (digits first, then letters)																
B	Cleaned and Lubricated for Oxygen Service – For PTFE Packing only																
F	PCTFE Soft Tip																
G	POM Soft Tip																
S	Stellite Valve Tip																
A	Vent Ports Plugged																
H	10,000 psi (689 bar) for PTFE Packing 7,252 psi (500 bar) for Graphite Packing																
P	Power Piping ASME B31.1 – For Graphite Packing only																
K	Arctic Operations (-55°C (-67°F)) – For PTFE Packing only																
M	Wetted Parts with 3.1 certificate																
	Operation Options																
J	Stainless Steel Handwheel with Locking Plate Design																
T	Anti-Tamper Bonnet (Key to be ordered separately)																
R	Anti-Tamper Bonnet (1 Key supplied per Valve/Manifold)																
Q	AT-Key Lock Bonnet Design																
U	Padlock for Anti-Tamper Bonnet / AT-Key Lock Bonnet Design																
W	Stainless Steel Handwheel																
	Accessory Kits																
7	CST Mounting Bracket AKM-D Type for 2" Pipe Mounting supplied separately – For Vertical Impulse Piping Installations																
8	SST Mounting Bracket AKM-D Type for 2" Pipe Mounting supplied separately – For Vertical Impulse Piping Installations																

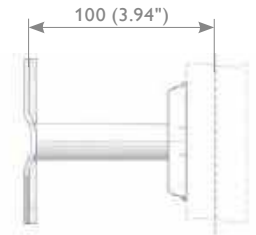
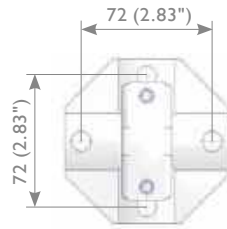
Wetted Parts according to a.m. material list are supplied according to NACE MR0175/MR0103 and ISO 15156 (latest issue) - except Titanium Grade 2.
 Note: Not every configuration which can be created in the ordering information is feasible / available.

Accessories – Mounting Bracket Kits

Mounting Bracket Kits for Vertical Impulse Piping Installations

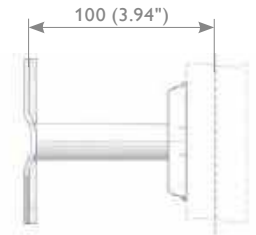
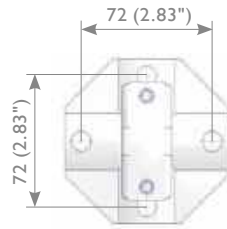
AKM-S Type

For Valves and Manifolds with 1 1/4" Square Valve Body (Type H, G, M and S)



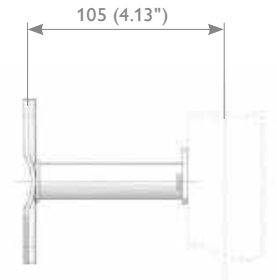
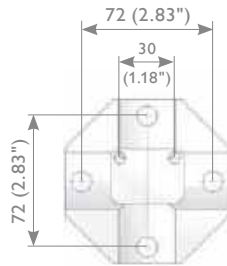
AKM-R Type

For Manifolds with 1 1/4" Flat Body (Type P and R)



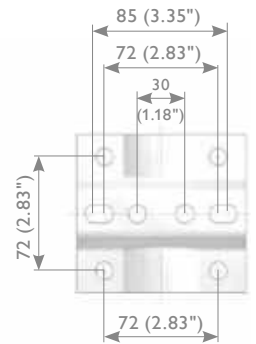
AKM-G Type

For Double Block & Bleed Manifolds (Type C)



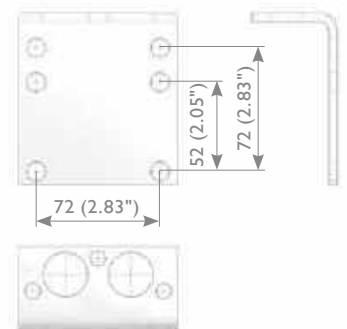
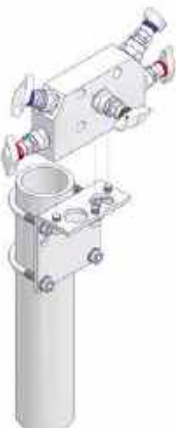
AKM-D Type and AKM-C Type

For Manifolds Type D, W and 5



AKM-B Type

For Wafer Style Manifolds with Bottom Inlet Design

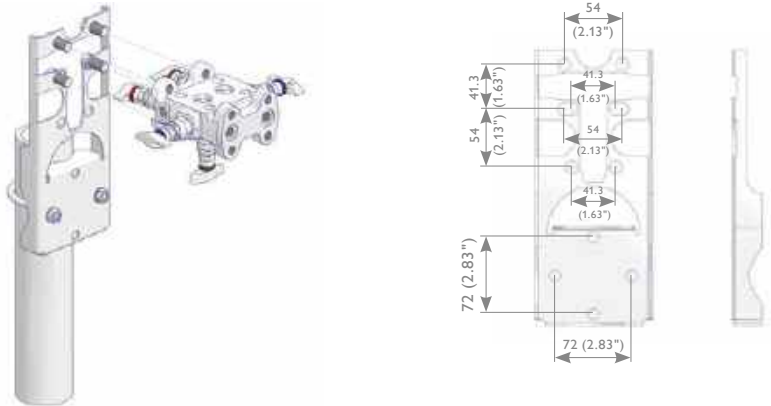


Accessories – Mounting Bracket Kits

Mounting Bracket Kits for Horizontal Impulse Piping Installations

AKM-T Type

For Integral Manifolds – Traditional Style



Mounting Bracket Kits for Horizontal and Vertical Impulse Piping Installations

AKM-U Type

For Manifolds Type H, W and T



Ordering Information

	1	2	3	4	5	6	7	8	9
	A	K	M	-	S	P	S	-	
AKM Mounting Bracket Kits									
Mounting Bracket incl. screws for mounting the bracket to the manifold (if applicable)									
S	Valves and Manifolds with 1 1/4" Square Valve Body (Type H, G, M and S)								
R	Manifolds with 1 1/4" Flat Body (Type P and R)								
G	Manifolds Type C								
D	Manifolds Type D, W and 5								
B	Wafer Style Manifolds with Bottom Inlet Design								
U	Manifolds Type H (not for Integral Manifolds for Rosemount 2051/3051 Coplanar™ Pressure Transmitters)								
	Manifolds Type W (except Bottom Inlet Design)								
	Manifolds Type T								
C	Integral Manifolds - Coplanar™ Style								
T	Integral Manifolds - Traditional Style								
Mounting Method									
P	2" Pipe Mounting – incl. 'U' Bolt, Nuts and Washers								
Material									
C	Carbon Steel zinc plated (only available Mounting Bracket Kit AKM-D and AKM-C)								
S	316 Stainless Steel								
H	Mandatory for Manifolds Type H and U-Type Bracket (incl. Spacer)								

Mounting Bracket Kit

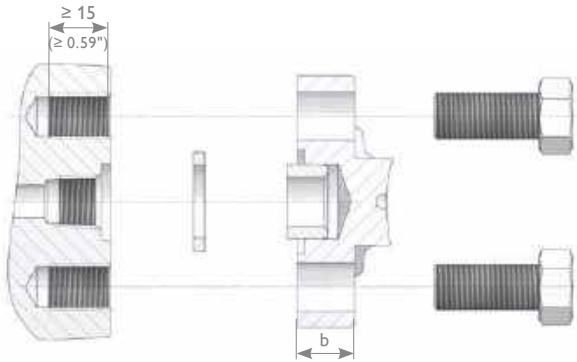
Mounting Bracket Kits on Page 48 and 49 are containing:

- Mounting Bracket
- 'U' Bolts*
- Washers – 8.4*
- Hexagon Nuts M8*
- Screws and Washers for Mounting the Manifold to the Bracket – if applicable

* Amount depending on bracket type. See illustrations.

Accessories – Manifold to Transmitter Mounting acc. to DIN EN 61518

Accessory Kits for Manifold to Transmitter Mounting according to DIN EN 61518 / IEC 61518



b = Depending on manifold thickness

Ordering Information

	1	2	3	4	5	6	7	8	9	10	11	12	13	14	15	16	
	A	K	S	-	H	U	4	C	-	P	A	F	4	4			
AKS Transmitter Mounting Kit																	
Type of Screw																	
H	Hex Cap Screw																
S	Socket Head Cap Screw																
Thread Size																	
U	7/16-20 UNF – For Traditional Style Manifolds (see page 34-37) please use Option Code W – Incl. washer																
M	M10 – Max. allowable (Working) Pressure (PS): 160 bar (2,320 psi) – Screws supplied with Washer																
W	7/16-20 UNF – Screws supplied with Washers																
Number of Screws and Seal Rings																	
2	2 Screws and 1 Seal Ring For 2 Valve Manifolds and Oval Flanges																
4	4 Screws and 2 Seal rings For Differential Pressure Manifolds																
5	4 Screws and 1 Seal Ring For 2 Valve Manifolds Type H2A - For Gauge/Absolute Pressure Transmitters																
8	4 Screws and 4 Seal Rings For Wafer Style Manifolds together with Oval Flanges - Screw Length 2 3/4"																
Material*																	
C	Carbon Steel UNF Thread: Hex Cap Screw ASTM A449 - Type 1 Socket Head Cap Screw ASTM A574 Metric Thread: ISO 898-1 Class 8.8																
S	316 Stainless Steel UNF Thread: ASTM A193 B8M Class 2 Metric Thread: ISO 3506 A4-70																
F	316 Stainless Steel UNF Thread: ASTM F593 GP2 CW																
Seal Ring																	
DIN EN 61518 Type A								DIN EN 61518 Type B									
PA	PTFE							PB	PTFE								
GA	Graphite							GB	Graphite								
FA	O-Ring FPM (FKM by ASTM)																
Screw Length																	
UNF Thread								Metric Thread									
F25	1"							M25	25 mm								
F38	1 1/2"							M40	40 mm								
F44	1 3/4"							M45	45 mm								
F51	2"							M50	50 mm								
F70	2 3/4" (For Wafer Style Manifold c/w Oval Flange)																
F76	3" (For Rosemount 2051/3051 Coplanar™ Pressure Transmitter)																
Option																	
B	Cleaned for Oxygen Service (only for PTFE Seal Ring → Carbon filled PTFE)																



* IEC 61518 calls for the mentioned mechanical properties (for example B8 Class 2) because the flange connection is designed for high pressure service (up to 6,000 psi) and high temperature service. The usage of screws without the defined mechanical properties is critical and may lead to a sudden component failure which could cause a fatal accident!

Accessories – Pipe Plugs, Vent Valves, Adaptors

Vent Valves, Pipe Plugs and Pipe Fittings

Vent Valve
VS Type



Vent Valve
VT Type



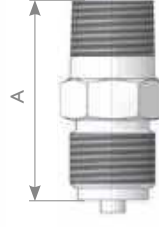
Pipe Plug
PP Type



Female to Male
Adaptor
FM Type



Hex Nipple
HN Type



Thread Size	A (Available Lengths)				
	38.1 mm (1.50")	44.5 mm (1.75")	50.4 mm (2.00")	76.2 mm (3.00")	101.6 mm (4.00")
N2, G2	Standard		... L2.0		
N4, G4, M4			Standard	... L3.0	... L4.0
Combination of #2 and #4		Standard	... L2.0		

Ordering Information - Pipe Plugs and Vent Valves

				1	2	3	4	5	6	7	8	9	10
				V	S	M	S	-	N	4	-	M	
PP	Pipe Plug												
VS	Vent Valve with Bleed Screw												
VT	Vent Valve with T Handle												
Connection													
M	Male												
Material													
S	1.4401 / 1.4404 / 316 / 316L	F	Duplex UNS S31803	B	6Mo UNS S31254								
M	Alloy 400 UNS N04400	D	Super Duplex UNS S32750	T	Titanium Grade 2								
H	Alloy C-276 UNS N10276	V	Alloy 625 UNS N06625										
Threaded Connection													
N2	1/4 NPT												
N3	3/8 NPT												
N4	1/2 NPT												
Options - Specify in alphabetical order (digits first, then letters)													
B	Cleaned for Oxygen Service												
M	Wetted Parts with 3.1 certificate – Not applicable for Pipe Plug Type PP												

Wetted Parts according to a.m. material list are supplied according to NACE MR0175/MR0103 and ISO 15156 (latest issue) - except Titanium Grade 2

Ordering Information - Pipe Fittings

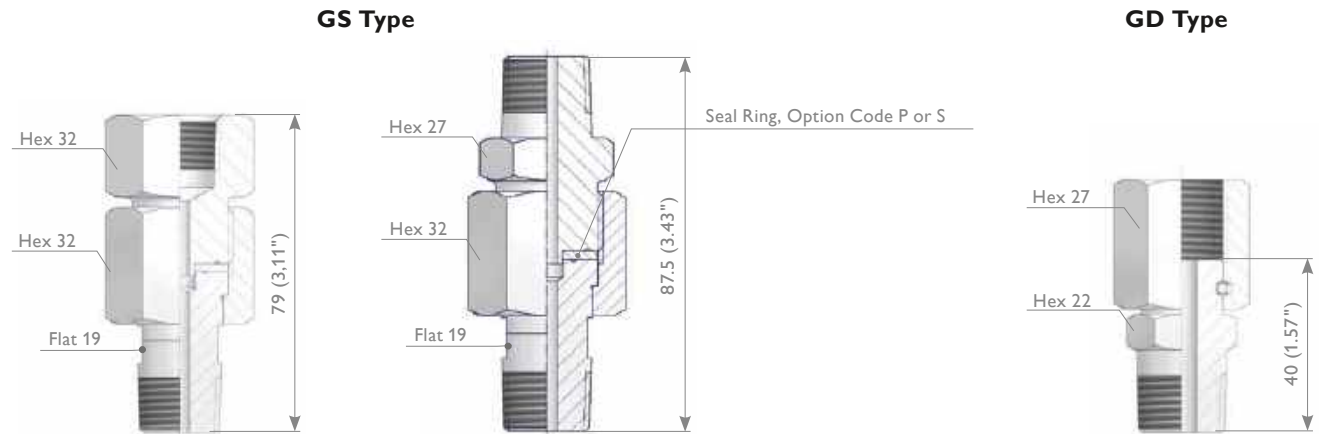
				1	2	3	4	5	6	7	8	9	10	11 - 16
				F	M	S	-	M	4	N	4	-	B	
FM	Female to Male Adaptor													
HN	Hex Nipple – Connections to be specified in alphabetical resp. ascending order. For example HNS-G4N4 (and not HNS-N4G4) resp. HNS-G2G4 (and not G4G2).													
Material														
S	1.4401 / 1.4404 / 316 / 316L	F	Duplex UNS S31803	B	6Mo UNS S31254									
M	Alloy 400 UNS N04400	D	Super Duplex UNS S32750	T	Titanium Grade 2									
H	Alloy C-276 UNS N10276	V	Alloy 625 UNS N06625											
Inlet - FM Type Female Thread														
Thread Type		Inch Size		Metric Size										
N	NPT	2	1/4	4	M20x1.5									
G	BSP Parallel (G) – EN 837-1	4	1/2											
M	Metric similar to EN 837-1													
Outlet														
Thread Type		Inch Size		Metric Size										
N	NPT	2	1/4	4	M20x1.5									
G	BSP Parallel (G) – EN 837-1	4	1/2											
M	Metric similar to EN 837-1													
Options - Specify in alphabetical order (digits first, then letters)														
B	Cleaned for Oxygen Service													
L#.	# → Available Lengths see table above – For Hex Nipples only													

Part according to a.m. material list is supplied according to NACE MR0175/MR0103 and ISO 15156 (latest issue) - except Titanium Grade 2.

Accessories – Swivel Gauge Adaptors

Swivel Gauge Adaptors

The Swivel Gauge Adaptors enable the easy positioning of the pressure instrument in any direction through 360°. The dimensions shown apply only to the illustrated components – if you need the dimensions for your individual type please contact the factory.



Ordering Information - Swivel Gauge Adaptors

		1	2	3	4	5	6	7	8	9	10	11	12	13	14	15	16	
		G	S	-	M	M	S	P	-	N	4	N	4	-	B			
GS*	Swivel Gauge Adaptors – Screwed Design (10,000 psi / 689 bar)																	
GD	Swivel Gauge Adaptors – Wire Design (6,092 psi / 420 bar)																	
Inlet																		
M	Male				F	Female												
Outlet																		
M	Male				S	Swivel Nut (GD Type – G 1/2, Option Code G4 only)												
F	Female																	
Material																		
S	1.4401 / 1.4404 / 316 / 316L				F	Duplex UNS S31803				B	6Mo UNS S31254							
M	Alloy 400 UNS N04400				D	Super Duplex UNS S32750				T	Titanium Grade 2							
H	Alloy C-276 UNS N10276				V	Alloy 625 UNS N06625												
Seal Ring																		
P	PTFE (GS Type only)																	
S	Same Material as threaded components (GS Type only)																	
A	No Seal Ring required (GD Type only)																	
Inlet																		
Thread Type		Thread Size																
N	NPT		2		1/4													
G	BSP Parallel (G) – EN 837-1		4		1/2													
H	BSP Parallel (G) – DIN 3852 (GD Type only)																	
Outlet																		
Thread Type		Thread Size																
N	NPT		2		1/4													
G	BSP Parallel (G) – EN 837-1		4		1/2													
Options - Specify in alphabetical order (digits first, then letters)																		
B	Cleaned for Oxygen Service																	
M	Wetted Parts with 3.1 certificate																	

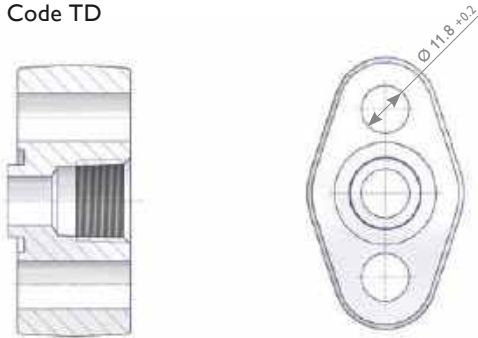
* GS Type only: NPT Threaded Options as standard.

Wetted Parts according to a.m. material list are supplied according to NACE MR0175/MR0103 and ISO 15156 (latest issue) - except Titanium Grade 2.

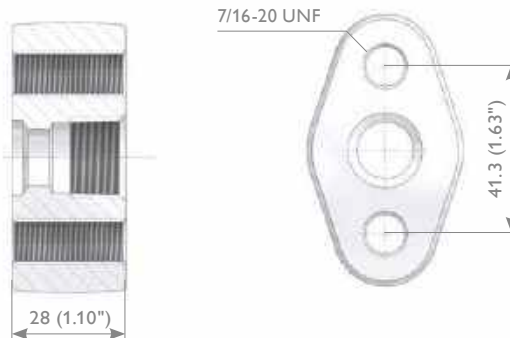
Accessories – Oval Flanges, Anti-Tamper Key

Oval Flanges KF Type

Transmitter Interface EN 61518-A Code TD



Transmitter Interface EN 61518 Code T4



Ordering Information - Oval Flange (Kidney Flange, Futbol)

				1	2	3	4	5	6	7	8	9	10	11	12
				K	F	F	S	-	N	4	T	D	-	1	
KF	Oval Flange														
	Inlet														
F	Female														
	Material														
S	1.4401 / 1.4404 / 316 / 316L	F	Duplex UNS S31803	B	6Mo UNS S31254										
M	Alloy 400 UNS N04400	D	Super Duplex UNS S32750	T	Titanium Grade 2										
H	Alloy C-276 UNS N10276	V	Alloy 625 UNS N06625												
Material Option S as forging, all other materials made from flat bar															
	Inlet														
	Thread Type			Thread Size											
N	NPT		3	3/8											
H	BSP Parallel (G) – DIN 3852		4	1/2 (NPT Thread only)											
	Outlet (Flange Connection)														
TD	Transmitter Interface DIN EN 61518-A														
T4	Transmitter Interface DIN EN 61518														
	Options - Specify in alphabetical order (digits first, then letters)														
B	Cleaned for Oxygen Service (if ordered with Transmitter Mounting Kit – Only with PTFE Seal Ring available)														
	Accessory Kits for Oval Flange to Manifold/Transmitter mounting according to DIN EN 61518 – only applicable for Outlet Option TD and TE														
1	2 Hex Cap Screws 7/16-20 UNF, Carbon Steel ASTM A449 - Type 1, 1 PTFE Seal Ring														
2	2 Hex Cap Screws 7/16-20 UNF, Stainless Steel ASTM A193 B8M Cl.2, 1 PTFE Seal Ring														
3	2 Hex Cap Screws 7/16-20 UNF, Carbon Steel ASTM A449 - Type 1, 1 Graphite Seal Ring														
4	2 Hex Cap Screws 7/16-20 UNF, Stainless Steel ASTM A193 B8M Cl.2, 1 Graphite Seal Ring														

Wetted Parts according to a.m. material list are supplied according to NACE MR0175/MR0103 and ISO 15156 (latest issue) - except Titanium Grade 2.

Anti-Tamper Key ATK Type

ATK-ES Type



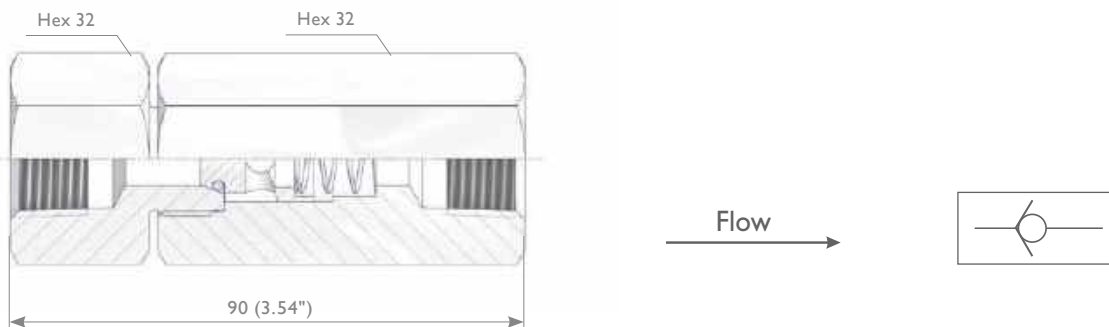
Check Valves

Check Valves CV Type

AS-Schneider Check Valves (Non-Return Valves) are designed for a cold (Working) Pressure rating of 10,000 psi (689 bar). The Check Valve allows flow in one direction only, closing when flow reverses. Should you still not find your option please contact the factory.

Features

- Soft Seated – O-Rings use-d are RGD (Rapid Gas Decompression) resistant
- Cracking Pressure: < 11 psi (0.75 bar)
- Re-Seal Pressure: < 20 psi (1.38 bar)
- Temperature Rating: -50°C up to +200°C (-58°F up to +392°F), depending on seal materials used
- 100% Pressure Tested – hydrostatically at 1.5 times the max. allowable (Working) Pressure (PS)
- Cv-Value: 0.3



Ordering Information - Check Valves

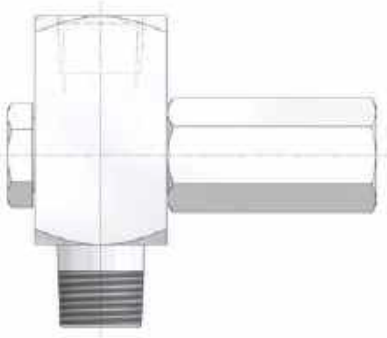
	1	2	3	4	5	6	7	8	9	10	11	12	13	14
	C	V	F	F	S	K	-	N	4	N	4	-	M	
CV Check Valve														
Inlet														
M Male														
F Female														
Outlet														
F Female														
Material														
S 1.4401 / 1.4404 / 316 / 316L														
F Duplex UNS S31803														
M Alloy 400 UNS N04400														
D Super Duplex UNS S32750														
H Alloy C-276 UNS N10276														
V Alloy 625 UNS N06625														
B 6Mo UNS S31254														
T Titanium Grade 2														
Seal Ring														
K FKM – Fluorocarbon Rubber														
N HNBR – Hydrogenated Nitrile Butadiene Rubber														
P FFKM – Perfluorinated Rubber														
Inlet														
N2 1/4 NPT														
N4 1/2 NPT														
Outlet														
N2 1/4 NPT														
N4 1/2 NPT														
Options - Specify in alphabetical order (digits first, then letters)														
M Wetted Parts with 3.1 certificate														

Wetted Parts according to a.m. material list are supplied according to NACE MR0175/MR0103 and ISO 15156 (latest issue) - except Titanium Grade 2.
 Note: Check Valves which are not actuated for a period of time may initially crack at a higher pressure than above stated.

Complementary Products

In this catalogue the following products are not described in detail because they are covered in catalogue AS-0201:

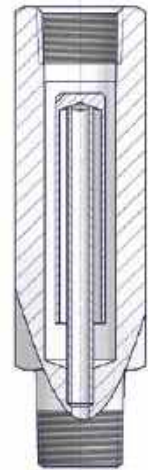
Gauge Protectors



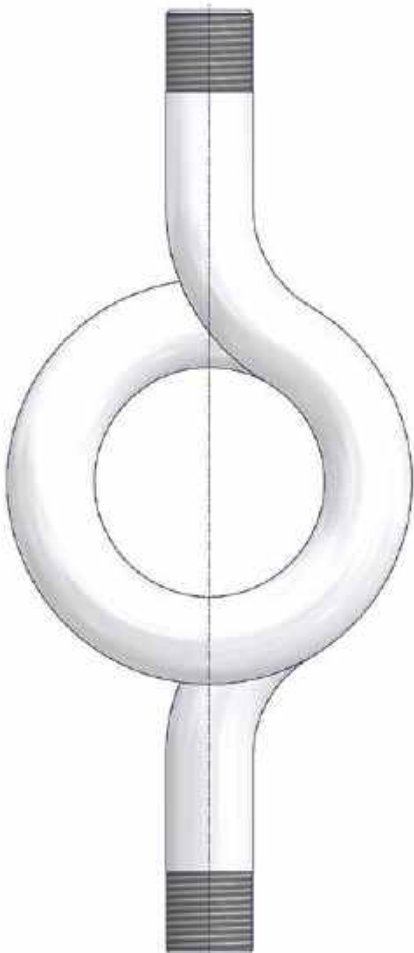
Gauge Snubbers



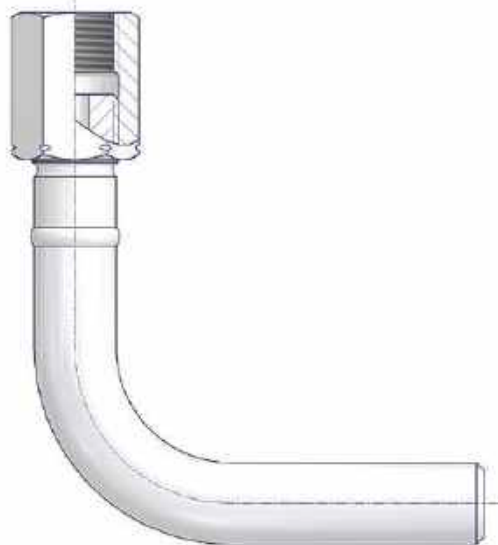
Compact Syphons



Coil Type Syphons / Pigtail Syphons



Elbows



YOUR GLOBAL PARTNER

for Instrumentation and
Double Block & Bleed Valves



Visit us on:



ARMATURENFABRIK FRANZ SCHNEIDER GMBH + CO. KG
World Headquarters
Bahnhofplatz 12, 74226 Nordheim, Germany
Tel: +49 7133 101-0
www.as-schneider.com



ARMATURENFABRIK FRANZ SCHNEIDER SRL
Gradinari 32-38, 100404 Ploiesti
Romania
Tel: +40 244 384 963
www.as-schneider.ro



AS-SCHNEIDER ASIA-PACIFIC PTE. LTD.
970 Toa Payoh North, #02-12/14/15, Singapore 318992,
Singapore
Tel: +65 62 51 39 00
www.as-schneider.sg



AS-SCHNEIDER AMERICA, INC.
17471 Village Green Dr, Houston, TX 77040
United States of America
Tel: +1 281 760 1025
www.as-schneider.com



AS-SCHNEIDER MIDDLE EAST FZE
P.O. Box 18749, Dubai
United Arab Emirates
Tel: +971 4 880 85 75
www.as-schneider.ae



AS-2601-EN | November 2018