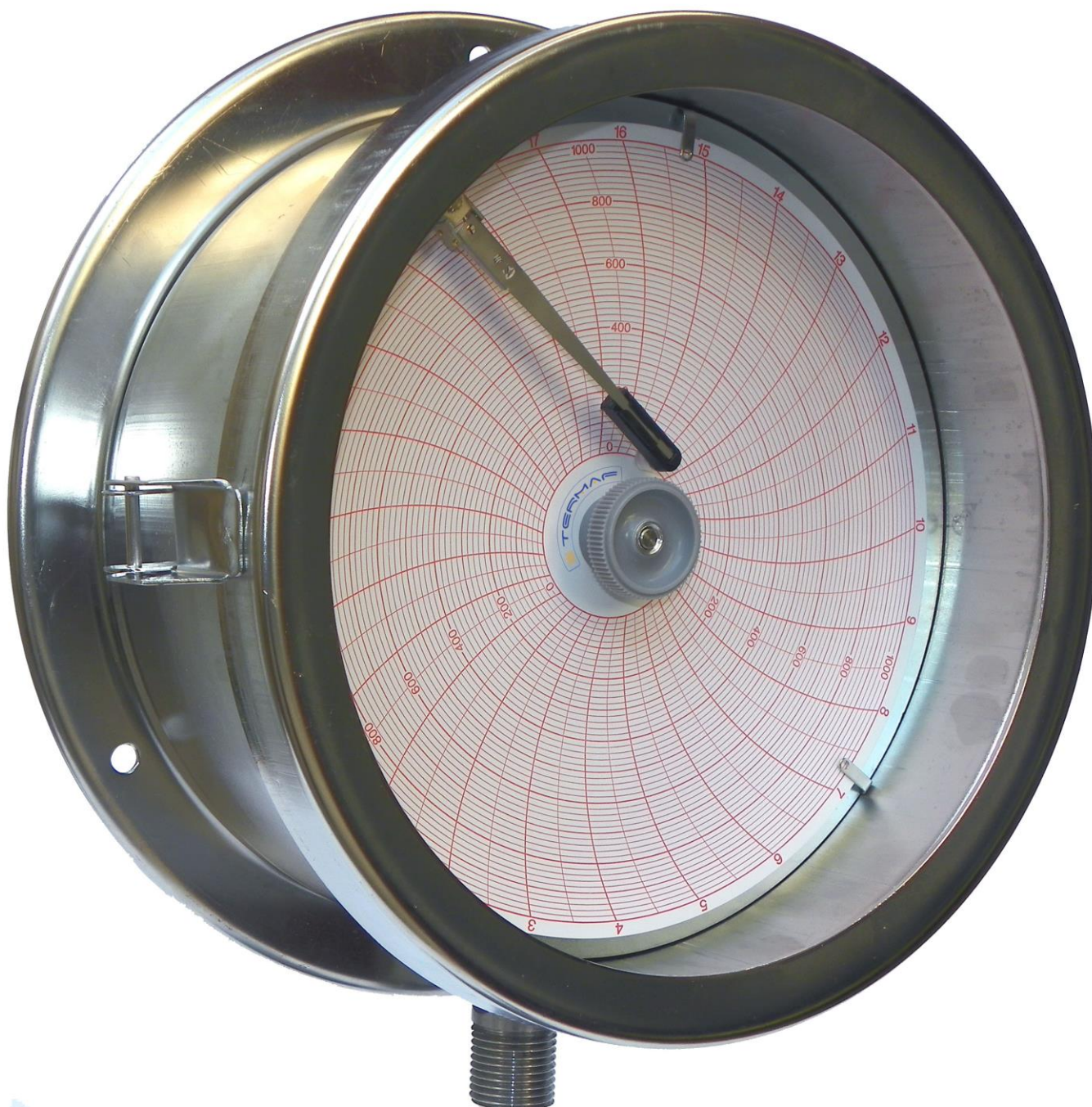


# CIRCULAR CHART PRESSURE RECORDER ERP/A1 DS 200 – DS 160

## GENERAL DESCRIPTION

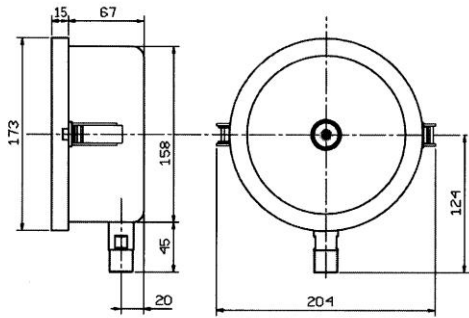
These instruments are designed for cyclical process records or process controls in food, petrochemical, chemical and pharmaceutical industries. The ERP series are studied for withstanding to the most adverse process conditions that might happen due to the aggressiveness of the measured fluid and to the environment.



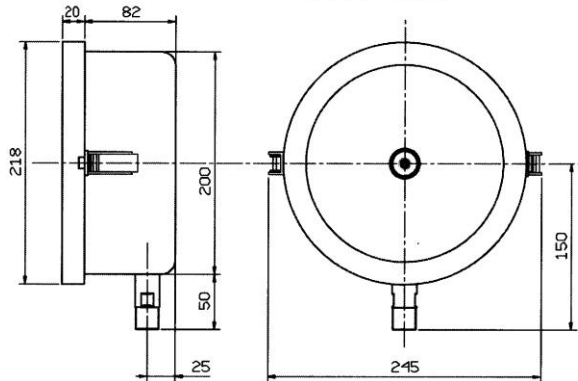
# DIMENSIONS

## BOTTOM CONNECTION

### DS 160

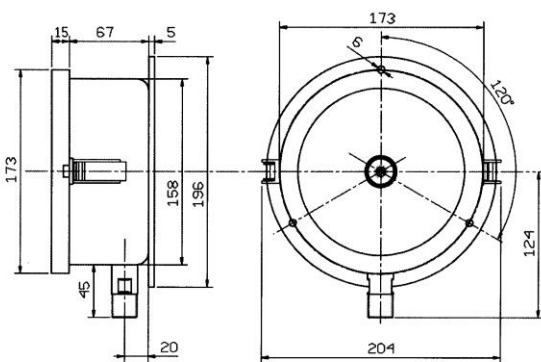


### DS 200

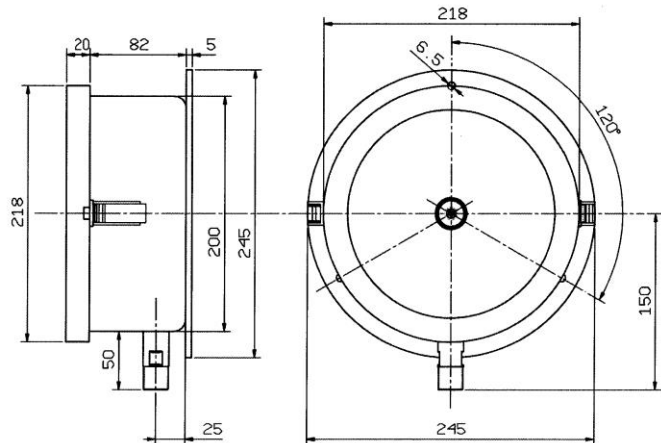


## BOTTOM CONNECTION WITH BACK FLANGE

### DS 160

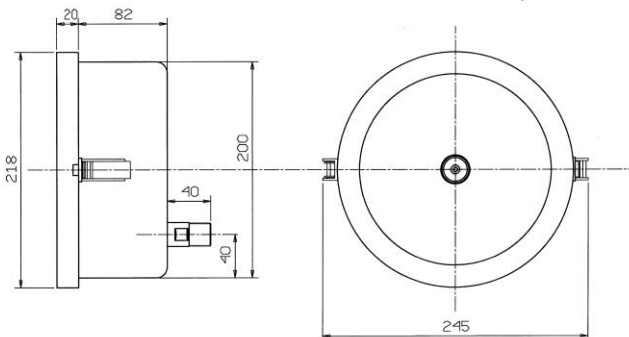


### DS 200



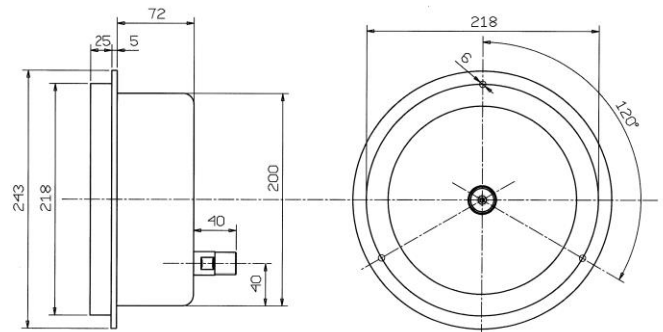
## BACK CONNECTION

### DS 200



## BACK CONNECTION WITH FRONT FLANGE

### DS 200



All dimensions are in mm

## TECHNICAL SPECIFICATION

**Measure element:** Bourdon spring 316 st.st.

**Pressure Scale:** Pressure Scales are available from 1,6 up to 2000 Bar, available PSI scales

**Process connection:** Bottom or back 1/2 BSP M., available NPT - 1/2 BSP F connection.

Wetted parts 316 st.st.

**Accuracy:** +/- 1% of the full-scale value

**Ambient Temperature:** -20°C + 50°C

**Clockwork:** Spring-loaded mechanical, battery with quartz movement

**Chart:** Disc of 183 mm - 125 mm at linear divisions

**Window:** Glass 3 mm thickness

**Writing System:** Synthetic fiber pen ink-filled easy to replace with an autonomous writing of 150 m

**Case and Ring:** 304 st.st. high weatherproof and industrial smokes-resistant

**Connection Types:** Bottom, bottom with back flange, back, back with front flange (DN 200 only)

## AVAILABLE CLOCKWORKS

|                            |
|----------------------------|
| Battery 7 days (168 h)     |
| Battery 24 hours           |
| Mechanical 31 days (744 h) |
| Mechanical 7 days (168 h)  |
| Mechanical 48 h            |
| Mechanical 24 h            |
| Mechanical 12 h            |
| Mechanical 6 h             |
| Mechanical 2 h             |
| Mechanical 1 h             |

## STANDARD RANGE SCALE

| <b>PRESSURE BAR</b> |      |       |          |
|---------------------|------|-------|----------|
| 0-1                 | 0-10 | 0-100 | 0-600 *  |
| 0-1,6               | 0-16 | 0-160 | 0-1000 * |
| 0-2,5               | 0-25 | 0-250 | 0-1600 * |
| 0-4                 | 0-40 | 0-300 | 0-2000*  |
| 0-6                 | 0-60 | 0-400 |          |

(\*) Available DS 200 only

| <b>PRESSURE PSI</b> |       |        |           |
|---------------------|-------|--------|-----------|
| 0-60                | 0-400 | 0-1600 | 0-6000 *  |
| 0-100               | 0-500 | 0-2000 | 0-10000 * |
| 0-200               | 0-600 | 0-3000 | 0-15000 * |

(\*) Available DS 200 only