

Product Information

Monitoring Relay MR50



- **Input standard signals 0/4..20 mA, 0/2..10 V DC**
- **Measuring range programmable**
- **Max. 4 alarm outputs**
- **Isolated analog output 0/4..20 mA, 0/2..10 V DC**

Characteristics

The Monitoring Relay MR50 has inputs for industry standard signals 0/4..20 mA and 0/2..10 V DC. Measuring value and programmed unit are shown in the display. The integrated transmitter supply offers direct connection of loop powered sensors. Simple programming, up to 4 alarm outputs (SPDT) and optional available fully isolated free programmable analog output 0/4..20 mA; 0/2..10 V DC meets the demand for different applications.

Technical data

Power supply

Supply voltage : 230 V AC ±10 %, 115 V AC ±10 %, or 24 V DC ±15 %

Power consumption : max. 5 VA

Operating

temperature : -10..+55 °C

CE-conformity : EN 61326-1:2013

EN 60664-1:2007

Input : 0/4..20 mA; 0/2..10 V DC

Ri : current 10 Ω, voltage 10 kΩ

Fault detection

: break of wire

Accuracy : <0,1 %, ±1 Digit

Transmitter supply : 24 V DC max. 30mA

Outputs

Relay SPDT : < 250 V AC < 250 VA < 2 A

cosφ ≥ 0.3, < 300 V DC < 40 W < 2 A

Analog output : 0/4..20 mA, burden ≤500 Ω; 0/2..10 V burden >500 Ω, isolated, output changes automatically (burden dependent)

Accuracy : 0.2 %;TK 0.01 %/K

Fault function at break of wire:

→ Analog output : 0 mA, < 3.6 mA or >21.5 mA

→ Alarm contact(s) : min. or max. programmable

Display

: graphic LCD-display with 128 x 64 Pixel, and white back-light

Case : Polyamide (PA) 6.6 , UL94V-0

acc. to DIN EN 60715

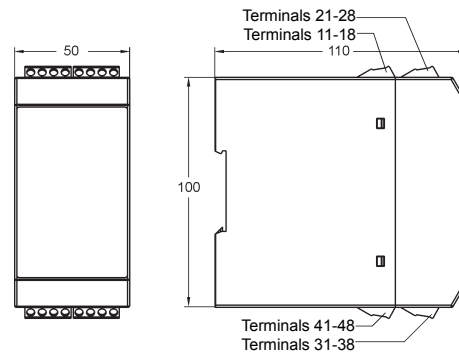
Weight : approx. 450 g

Connection : screw terminals 0.14..2.5 mm²

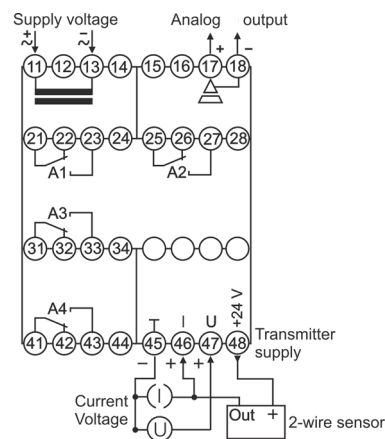
(AWG 26..14)

Protection class : case IP30, terminals IP20, BGV A3

Dimensions



Connection diagram



Ordering code

MR50 - 1. - 2. - 3. - 4. - 5. - 6.

1. Input	
1	standard signals 0/4..20 mA, 0/2..10 V DC, transmitter supply 24 V DC, max. 30 mA
2. Alarm output A1, A2	
2R	2 relays SPDT
3. Alarm output A3, A4	
00	not installed
2R	2 relays SPDT
4. Analog output	
00	not installed
AO	0/4..20 mA, 0/2..10 V DC
5. Supply voltage	
0	230 V AC, ± 10 % 50-60 Hz
1	115 V AC, ± 10 % 50-60 Hz
5	24 V DC, ± 15 %
6. Options	
00	without option