

Product information

Bar Graph Display BA4824N



- Universal version for 0/4..20 mA, 0..10 V DC
- Red LED indicator (optionally green)
- Vertical and horizontal installation
- All areas can be selected via connecting terminal
- Display area adjustable via potentiometer

Characteristics

Series BA bar graph displays are especially well suited for representing continuously changing measurements. With their small design, they can be easily integrated into control panels and diagrams.

The version BA4824N is especially well-suited for processing input signals 0/4..20 mA, 0..10 V DC (limit value adjustable from 5..50 V DC). Adaptation to the corresponding input signal takes place via the connecting terminal. The display zero point and limit value can be adjusted via separate potentiometers.

Technical data

Auxiliary power

Auxiliary voltage : 24 V DC \pm 10 % isolated
Power consumption : approximately 1.5 VA
Operating temperature : 0..+60 °C
CE-conformity : EN 61326-1:2013; EN 61010-1:2010

Measurement input

Current input : 0/4..20 mA,
Voltage input : 0..10 V DC (adjustable limit value)
Input resistance : R_i at: 10 V = 100 k Ω , 20 mA = 100 Ω

Accuracy

Resolution : 10 digit
Basic precision : \pm 1 digit
Temperature coefficient : 100 ppm/K

Display

Range : 10 segments
Colour : red, optionally green

Housing

: DIN 48 x 24 mm, installation depth 100 mm

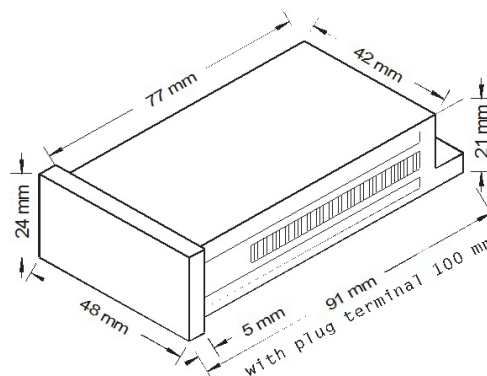
Design : PC/ABS blend, black colour, UL94V-0
Panel aperture 42 x 21 mm

Fastening : locking screw element for wall thickness up to 50 mm

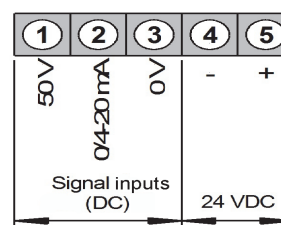
Weight : 60 g
Connection : rear plug terminals, max. 1.5 mm²
Protection class IP00

Ingress protection : Front IP54 or IP65

Dimensions



Connection diagram



Ordering code

1. 2. 3. 4. 5. 6. 7.
BA - - - - - -

1. Construction	4824N	10 segments
2. Installation	1	Vertical
	2	Horizontal
3. Bar colour	1	Red display
	2	Green display
4. Auxiliary voltage	5	24 V DC with electrical isolation
5. Input signal	0	Universal version
6. Measuring range scale 0..100 %	10	Universal version
7. Ingress protection	1	IP54
	2	IP65