

Product information

Monitoring Devices

Insulation Guard IW1000



- Time optimized pulse measuring method
- 2 alarm outputs relay, 1 analogue output
- Automatic and manual self test
- Acoustic alarm in case of malfunction
- Devices for railway vehicles and healthcare facilities available

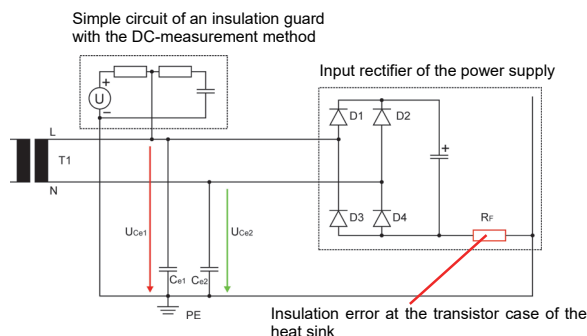
Characteristics

The isolation-guard IW1000 will be used for insulation-monitoring in machines and systems with ungrounded voltage systems. The universal design allows the monitoring of all AC - and DC -Systems.

Common informations

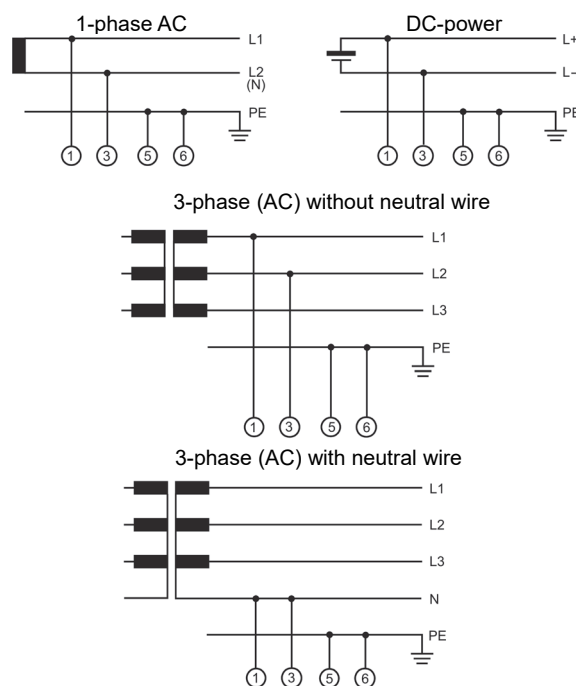
In well-insulated IT-systems (new installations) with a lot of connected devices a high leakage capacity may occur due grounded input filters, cable capacities etc. Common insulation guards, working with pulse measuring mode, are running with fixed pulse widths. For well operation, they must be adapted manually to the actual leakage capacity of the system. There are also insulation guards available, working with self adapting pulse width. However these devices need a long measuring time because the result will be at least available, when loading voltage will find its maximum (no more change in load voltage). With the time optimized measuring method of the IW1000, insulation resistance and leakage capacity will be calculated after 2-time constants. Therefore the reaction time of the IW1000 is very short. By applications of modern signal processing-algorithms in the software and over sampling-mode in connection with high signal-dissolution of the AD-converter, the IW1000 runs with high stability and reliable measurement.

Comparison of the DC-measuring procedure with the time optimized pulse measuring procedure of the IW1000

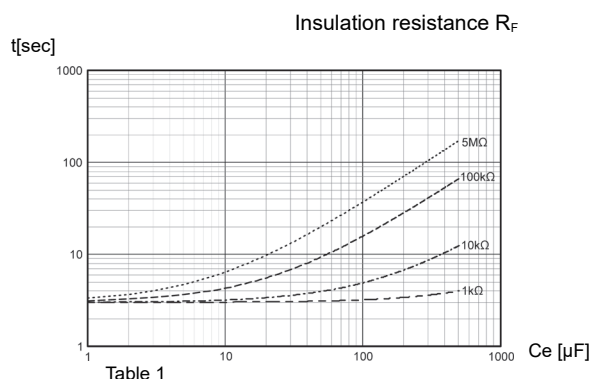


DC-components of the leakage currents could appear without insulation error in case of an asymmetric load during positive and negatives half-waves. For example: Power controlled devices which are operating in phase-angle control or as zero-crossing switch (SSR- relays). Even frequency converters produce high DC-leakage currents. With time optimized pulse measuring method of the IW1000, DC-voltage-shares at the leakage capacities measured during positive and negative voltage pulses will be eliminated automatically by calculation. Therefore the measuring method is qualified for AC-AC/DC and true DC-systems.

Connection examples



Characteristic curve 1, measuring time



Product information

Technical data

Power supply
 Supply voltage : 230 V AC, 115 V AC, 24 V AC $\pm 10\%$;
 16.8..33.6 V DC, 10.8..15.6 V DC

Power consumption: max. 4 VA
 Operating temp. : -10..+55 °C;
Option 01 : -25..+70 °C
 Relative humidity : 75 % for annual mean in accordance with
 DIN EN50155, 95 % for 30 days all year
 continuously, seldom or low humidity doesn't
 lead to malfunctions or cancellations.

CE-conformity : EN 60664-1, EN 61326-2-4, EN 50121-3-2,
 EN 60068-2-1/2/6/27
 add. for Option 01 : EN 50155 in following points: EN 61373,
 EN 60068-2-27

Fire safety : Fulfilment of fire safety requirements for
 railway vehicles acc. to the basic standard
 NFF16-101 particularly (IEC) EN 60695-2-12
 (Glow-wire testing temperature 850 °C) and
 NFF16-102 particularly 6.2; 6.4; 6.5

Input
 U_{nom} : 0..690 V AC/DC; ab UN >400 V
 operation only with cover clamp permitted

Frequency range : 16 ^{2/3} ..400 Hz

Measurement (standard) (health care)
 U_{meas} max. : ± 40 V ± 20 V
 I_{meas} max. : ± 220 μ A ± 110 μ A
 Ri DC : 180 k Ω (2 x 360 k Ω parallel)
 Impedance Zi : 180 k Ω (2 x 360 k Ω parallel) at 50 Hz

Operating values
 AL1/AL2 : 1 k Ω ..5 M Ω x 1,1 (1,1 k Ω ..5,5 M Ω)
 programmable

Accuracy : $\pm 5\%$, ± 1 k Ω in the range 1 k Ω ..5 M Ω
 Hysteresis : 10..100 % of the setpoint programmable
 Measuring time : see table1
 System leakage capacity : max. 500 μ F

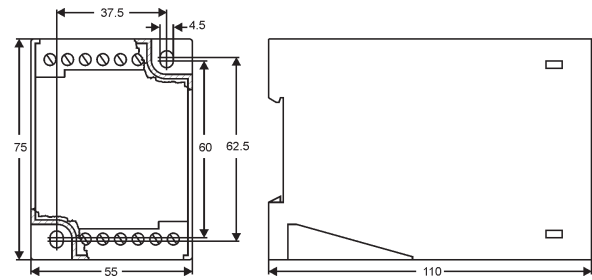
Display : LCD Dot-Matrix, 2 lines 8 characters each,
 character height 5 mm, with back light

Indicating range : 1 k Ω ..9.9 M Ω
 Solution
 1 M Ω ..9.9 M Ω : 0.1 M Ω
 1 k Ω ..999 k Ω : 1 k Ω

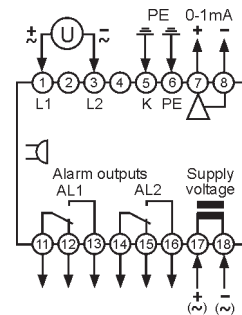
Output
 Relay SPDT : < 250 V AC < 250 VA < 5 A;
 < 300 V DC < 50 W < 2 A

Analogue : 0..1 mA, R_F (Insulation resistance)
Case : Makrolon 8020 UL94V-1
 Weight : approx. 390 g
 Connection : screw terminals 4 mm²
 Protection class : case IP40, terminals IP20, BGV A3

Dimensions



Connection diagram



Ordering code

IW1000 - - - -

1. Model			
1	2 inputs L1 + L2 ,		
	output 0..1 mA for ext. pointer instruments		
3	as 1, for health care facilities		
2. Supply voltage			
0	230 V AC	$\pm 10\%$ 50-60Hz	
1	115 V AC	$\pm 10\%$ 50-60Hz	
4	24 V AC	$\pm 10\%$ 50-60Hz	
5	24 V DC	16.6..33.6 V DC	
6	12 V DC	10.8..15.6 V DC	
3. Options			
00	without option		
01	device for rail vehicles		
02	measuring time 1 s C _{E,max} < 200 μ F)		
4. Additional text above the display (3x50 mm HxW)			
Accessories			
KA-IW1000-1	terminal cover for U _{meas} > 400 V		
IS96-DS-01	pointer instrument DIN 96x96 mm, mounting depth 63mm		

Pointer instrument IS96

