

Product Information

1 ~ and 3 ~ Solid State Relay



1 ~ SSR



3 ~ SSR

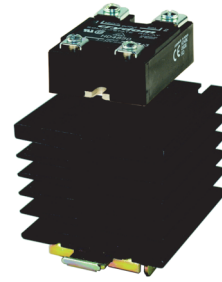
Characteristics

- Load circuit from 24V AC up to 530 V AC
Current from 25 A up to 125 A
- Zero voltage switch
- 2-port isolation
- Dedicated for loads up to $\cos\phi$ 0.5
- Case isolated
- Test voltage 4 kVeff
- Voltage drop at I_{max} 1.6 V
- UL and CSA certification

Ordering code / technical data

Type	Drive circuit [V]	Load circuit [V AC]	Current [A]	Terminal cover
1 ~				
D2425	3-32 DC	24-280	25	KS100
D2450	3-32 DC	24-280	45	KS100
HD4850	3-32 DC	48-530	50	KS100
SC869110	3-32 DC	48-530	125	KS100
3 ~				
D53TP50D	3-32 DC	48-530	50	KS300
Accessories				
KS100	Terminal cover acc. to German BGV A3			
KS300	Terminal cover acc. to German BGV A3			

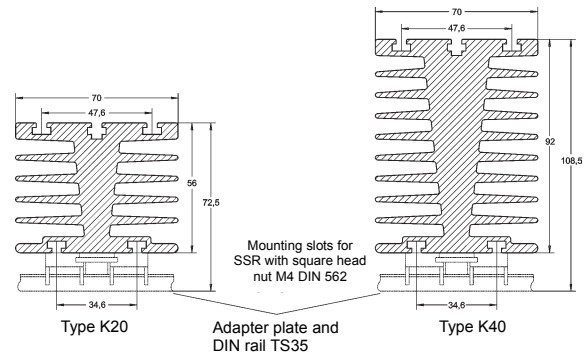
Heat sink K20, K40



Characteristics

- Aluminum heat sink
- DIN rail mounting TS35
- Mounting of the SSR without mechanical processing

Dimensions



Ordering code / technical data

Type	Length [mm]	Thermal resistance [kW]	Weight [kg]
K20-75	75	1.5	0.42
K20-100	100	1.2	0.55
K40-75	75	1	0.72
K40-100	100	0.8	0.93
Accessories			
K-MSSR1P	Mounting set for 1 ~SSR		
K-MSSR3P	Mounting set for 3 ~SSR		
WLP35	Thermal compound 35 gr. box		

Dimensioning instructions for heat sinks

Typical current SSR	without cooling	Mounting at K20-75	Mounting at K20-100	Mounting at K40-75	Mounting at K40-100	Max. current Fuse characteristic B
25 A	6 A	12 A	18 A	20 A	20 A	10 A
50 A	8 A	20 A	25 A	35 A	40 A	25 A
125 A	16 A	40 A	50 A	60 A	80 A	63 A
3 x 50 A	3 x 4 A		3 x 15 A		3 x 25 A	20 A

Max. current at 45°C ambient temperature