

Product Information

**Analog Pulse Converter
STU500**



- Switch selectable input signal 0/4..20 mA, 0/2..10 V DC and Potentiometer
- Bistable output voltage 0/12 V DC
- Indicators for power and output

Characteristics

STU500 converts an analogue input signal into a bistable output signal 0/12V DC. The duty cycle of the output signal is proportional to the input signal level. It can be used for power control in heating circuits in combination with solid state relays (SSR).

Technical data

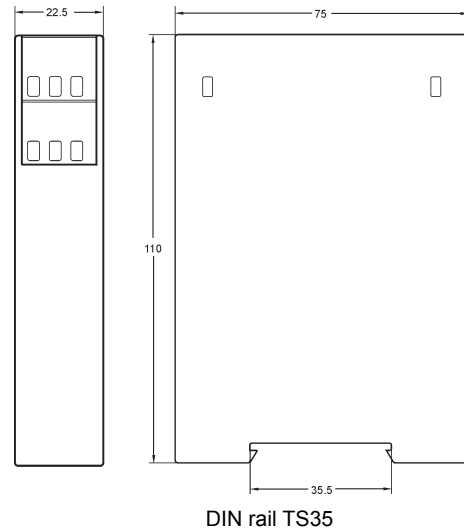
Power supply
Supply voltage : 85..265 V AC or 10.8..30 V AC/DC
Frequency AC : 47..63 Hz
Power consumption : <1.5 VA
Operating temp. : -10..+60 °C
Rated voltage : 500 V_~ acc to VDE 0110 group 2,
full 3-port isolation
CE-conformity : EN 61326-1:2013
EN 60664-1:2007

Inputs
Voltage : 0/2..10 V, Ri = 40 kΩ, 3-times overload
Current : 0/4..20 mA, Ri = 125 Ω, 3-times overload
Resistance : and Potentiometer from 1 kΩ..100 kΩ

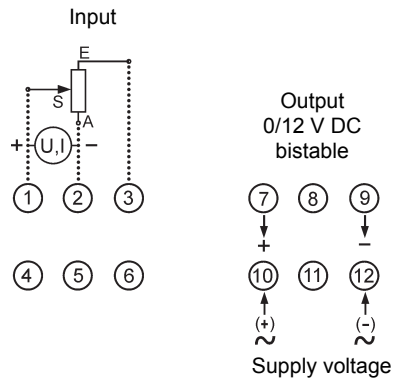
Output
Output clock : bistable 0/12 V DC, max. 20 mA,
short-circuit-proof
Clock cycle : approx. 1 pulse/s

Case : standard case polycarbonate 8020 UL 94 V-1
acc. to DIN EN 60715:2001-09
Weight : approx. 140 g
Protection class : case IP30, terminals IP20, (BGV A3)
Electrical connection: screw terminals with pressure plate
max. 2.5 mm²

Dimensions



Connection diagram



Ordering code

STU500 - 10 -

1. Supply voltage	
0	85..265V AC
5	10.8..30 V AC/DC
Accessories	
PES30-10k	Potentiometer installation set incl. 10 k poti for mounting hole 22.5mm, IP65

Potentiometer installation set

