



GENERAL CHARACTERISTICS

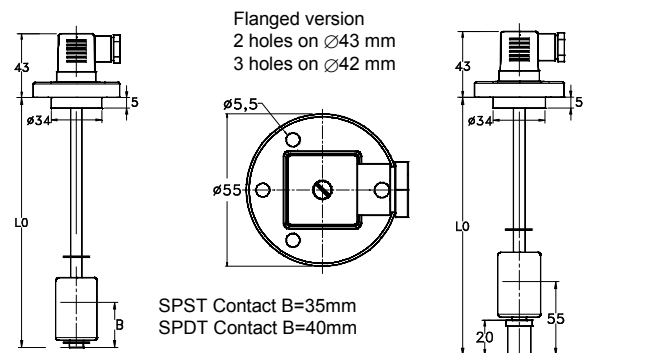
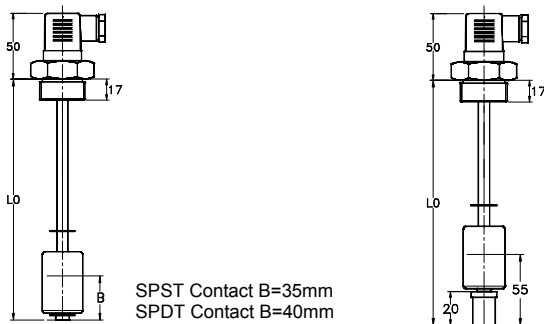
Level controls with 1 electrical contact, reliable, compact and easy to install. Designed to offer a range of level switches to meet the request for a cheap monitoring of the level in small tanks.

- Connection: **Brass - Alluminum - PVC**
- Closed cell float.
- Hermetic and replaceable electrical contact.
- Operating ambient temperature -30 / +55 °C - 90% R.H.
- Easy mounting, threaded or flanged.
- Minimum degree of protection IP65.

TECHNICAL DATA Tab.1

	Description									Code	
Float	SPANSIL –Butadiene Acrylonitrile Copolymer closed cells									B45	
	Ø 30 x 45 mm			S.G. 0, 35			20 Bar				
Rod length L0 mm	0100	0150	0200	0250	0300	0350	0400	0450	0500	Brass	O. L0
Process connection	Threaded		1" UNI 228/1 male thread			SW 40			Brass		25GO
									Anodized aluminium		25GD
	Flanged		Double fixing (2 or 3 holes)			Ø 55 mm			PVC		25GV
									Brass		FOPX
									Anodized aluminium		FDPX
PVC		FVPX									
Electrical contact	SPST	N.C.	N.O.	Overtuning the float of 180°		300 VAC	50W	70VA	0,5A	3	
	SPDT	Changeover contact			230V	60W	60VA	1A	7		
Built-in thermostat °C On request	30	40	50	60	70	80	90	100	N.O.	°CT1	
									N.C.	°CT2	
Electrical output	DIN 43650 plug						IP 65			S1	
Max. temperature °C	105°C									L	
Sealing gasket	NBR flat gasket anti-oil									1	

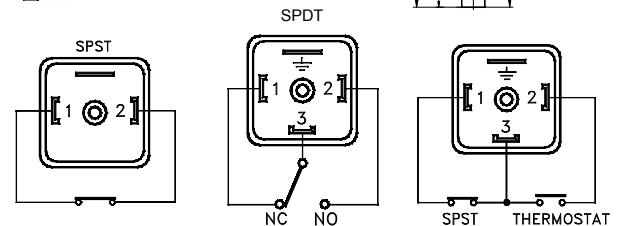
DIMENSIONS Tab.2



WIRING Tab.3

With the thermostat option the customer must define the electrical contact condition. The contact and the thermostat are common wired.

I = Independent C = Common 2 = NC 3 = SPDT
Wiring Contact status in no level condition



NOMENCLATURE

S1 B45 3 0500 O 25GO S1 L 1 I2 60T1

	S1	B45	3	0500	O	25GO	S1	L	1	I2	60T1	Type
	•											Tab.1
		•										Tab.1
			•									Tab.1
				•								Tab.1
					•							Tab.1
						•						Tab.1
							•					Tab.1
								•				Tab.1
									•			Tab.1
										•		Tab.3
											•	Tab.1-3