

Senseca Germany GmbH
Tenter Weg 2-8 | 42897 Remscheid | GERMANY
Phone +49 2191 9672-0 | Fax +49 2191 9672-40
www.senseca.com | info@senseca.com | WEEE Reg. No. DE 93889386



Product Information

NW1-...HM/HK

Level Switch NW1



- Highly reproducible
- Normally open or normally closed contact

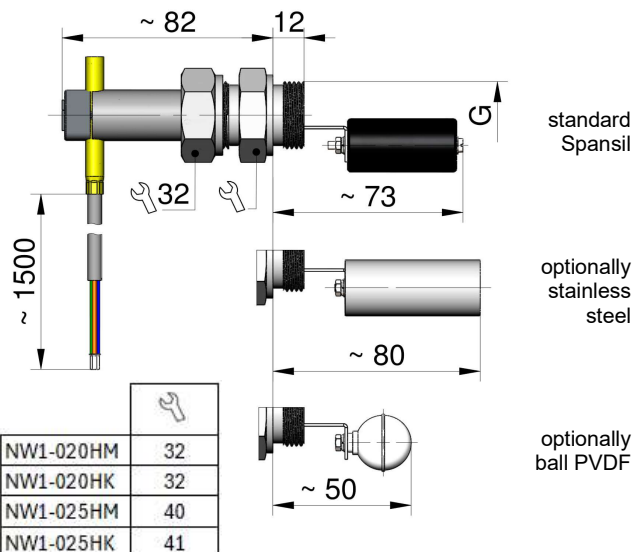
Characteristics

Mechanical level monitor for fluid media, with contact-free triggering of a reed contact.

Technical data

Switch	reed switch	
Process connection	male thread G 3/4 A; G 1 A	
Density of medium	Spansil float	≥ 0.7 g/cm ³
	Stainless steel float	≥ 0.9 g/cm ³
Pressure resistance	Spansil float	PN 25 bar
	Stainless steel float	PN 10 bar
	PVDF float	PN 25 bar
Medium temperature	-20..+110 °C (optional 150 °C)	
Ambient temperature	-20..+70 °C	
Media	water, oils	
Wiring	'normally open' or 'normally closed' No. 0.225	
Switching voltage	max. 230 V AC	
Switching current	max. 1 A	
Switching capacity	max. 50 VA	
Protection class	1 - PE connection	
Ingress protection	IP 65	
Electrical connection	cable 1.5 m	
Materials medium-contact	<i>Brass design:</i> CW614N nickelled, 1.4301, 1.4571, Spansil (NBR), Hard ferrite, NBR	<i>Stainless steel design:</i> 1.4305, 1.4571, Hard ferrite, FKM
	Non-medium-contact materials CW614N, nickelled, CW614N, NBR, PVC, POM	
Weight	0.35 kg	
Installation location	horizontal installation	

Dimensions



Handling and operation

- It must be ensured that the values given for voltage, current, and power are not exceeded.
- When switched on, a load must be connected in series.
- The electrical details apply to ohmic loads. Capacitive, inductive and lamp loads must be operated using a protective circuit.
- Not suitable for use in media with ferritic particles.
- Switch position is fixed at factory.

Ordering code

NW1 - 1. 2. 3. 4.
NW1 - H

○=Option

1. Connection size	
020	threaded connection G 3/4 A
025	threaded connection G 1 A
2. Process connection	
H	screw-in thread
3. Connection material	
M	brass
K	stainless steel
4. Switching unit option	
A	○ for switching unit ATEX A-U1-2 (for connection material brass or stainless steel, but only with stainless steel float) The switching unit must be ordered in addition.

Options

- Float ball PVDF
- Float stainless steel