

# FS10A Analyzer Flow Switch / Monitor

## For Process Analyzers and Sample Handling Systems

**SIL2  
Compliance Rating**

### FS10A Features

- For Gases and Liquids
- Use In Tube Tees or SP76 (NeSSI) Systems
  - Requires Only One SP76 Block
- Superior Low Flow Sensing
- Single Configuration Meets All Flow Ranges, 100:1 Turndown
- Simple Push-Button Field Set-Up
- LED Array Shows Flow Rate and Switch Trip
- Variety of Standard Outputs
  - Relay or Open Collector
  - 4-20 mA Analog Output Option
  - Serial RS232C I/O
- No Moving Parts, Non-Clogging
- No Cavities or Dead-Legs
- Simple, Screw-In and Compression Fitting Installation
- Lowest Cost Solution for End-Users and System Integrators



The FS10A is a universal flow monitor and switch specifically designed for gas and liquid process analyzer sampling systems. The FS10A is a fast responding, highly repeatable sensor which installs easily into a standard tube tee fitting or new SP76 (NeSSI) modular manifold.

The FS10A utilizes proven thermal-dispersion flow measurement technology with FCI proprietary equal mass sensing to achieve outstanding sensitivity and repeatability. The instrument's wetted parts are superior corrosion-resistant 316L stainless steel with Hastelloy C-22 sensor tips. An optional all Hastelloy C-22 sensor element is also available. The sensor element has no moving parts to foul, clog or maintain which ensures continuous reliability and no maintenance costs. There are no cavities, orifices or dead-legs to trap or contaminate samples which preserves sample integrity and faster system sampling times.

FS10A electronics are packaged in a rugged, fully-sealed, aluminum housing which provides exceptional protection and long-life under all process conditions.

The electronics can be integral mounted with the sensor element resulting in unibody, self-contained unit (FS10A-1, FS10A-2) or the electronics can be separated from the sensor for remote mounting





(FS10A-A, FS10A-B). The remote configuration is useful when sensor installation area is subjected to high temperatures, or to mount the front panel and display in a more accessible location.

The instrument provides a top-mounted, flow rate monitoring LED array for at-a-glance visual indication of proper flow rate to the analyzer or sampling system, an alarm/trip indication, and as confirmation that the unit is powered and operating. The flow switch's setpoint is conveniently user settable via two push-buttons accessible at the top of the unit, or via its RS232 serial interface.



A choice of electronic outputs is available. The switch output can be either an open collector (n-channel) or a 1A relay settable for NO or NC operation. The switch settings are user programmable for trip control of hysteresis and time delay. Also included standard is a 4-20 mA output for flow rate trending or it can be assigned to temperature.

FS10A has a common 1/4 inch NPT (male) connection for threading into standard tube tee fittings or FCI's SP76 base. Electrical and electronic connections at the FS10A are via a standard M12 connector or a fixed cable gland with tinned and marked wire leads for user's connections.

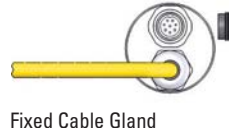
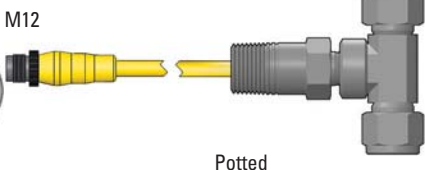
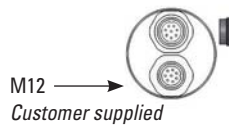
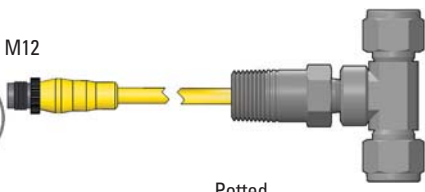
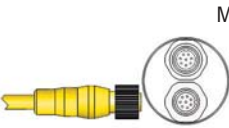
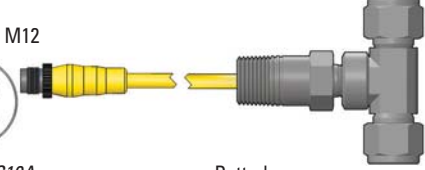
## Integral Configuration

Front Panel / Top	Selections	Block 5 Order Code (FS10A OIS)
	With watertight cable gland to cable pigtail; 15' [5 m] <i>Not available with ATEX approval</i>	Block 5, Code 1
	With M12 (male) connector <i>For user supplied M12 cable</i>	Block 5, Code 2
	M12, supplied with mating cable M12 to cable pigtail	<ul style="list-style-type: none"> <li>■ 6' [2 m]: (Block 5, Code 3)</li> <li>■ 15' [5 m]: (Block 5, Code 4)</li> <li>■ 30' [10 m]: (Block 5, Code 5)</li> </ul>
	1/2" NPT (male) conduit adapter with watertight cable gland to cable pigtail; 15' [5 m]	Block 5, Code 6

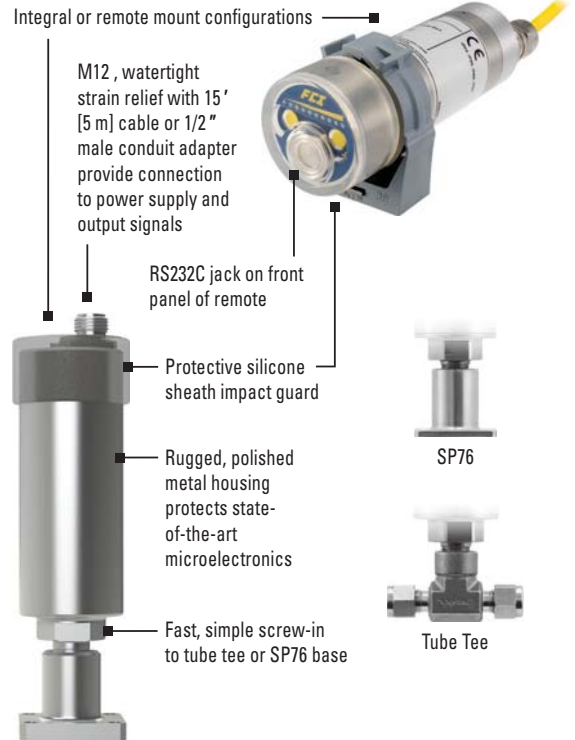
## Remote Configuration

Front Panel / Top	Selections	Block 1 Order Code (FS10A OIS)
 <i>Shown with sealed plug</i>	Panel mount version: supplied with panel mounting collar with O-ring seals for both panel and instrument sides	Block 1, Code A
 <i>Shown with RS232C jack exposed</i>	Surface/wall mount version: supplied with mounting bracket for securing instrument body to a surface	Block 1, Code B

### Block 5 Order Code (FS10A OIS)

Code	Length	Power Input/Outputs		From Flow Element to Electronics*	
		Block 5	Block 4	Block 5	Block 4
<b>Code 1</b>	15' [5 m]			Fixed Cable Gland	Potted
<b>Code 2</b>				M12 <i>Customer supplied</i>	Potted
<b>Code 3</b>	6' [2 m]			M12 FCI supplied with FS10A	Potted
<b>Code 4</b>	15' [5 m]				
<b>Code 5</b>	30' [10 m]				

\* Maximum cable length is 100' [30 m]

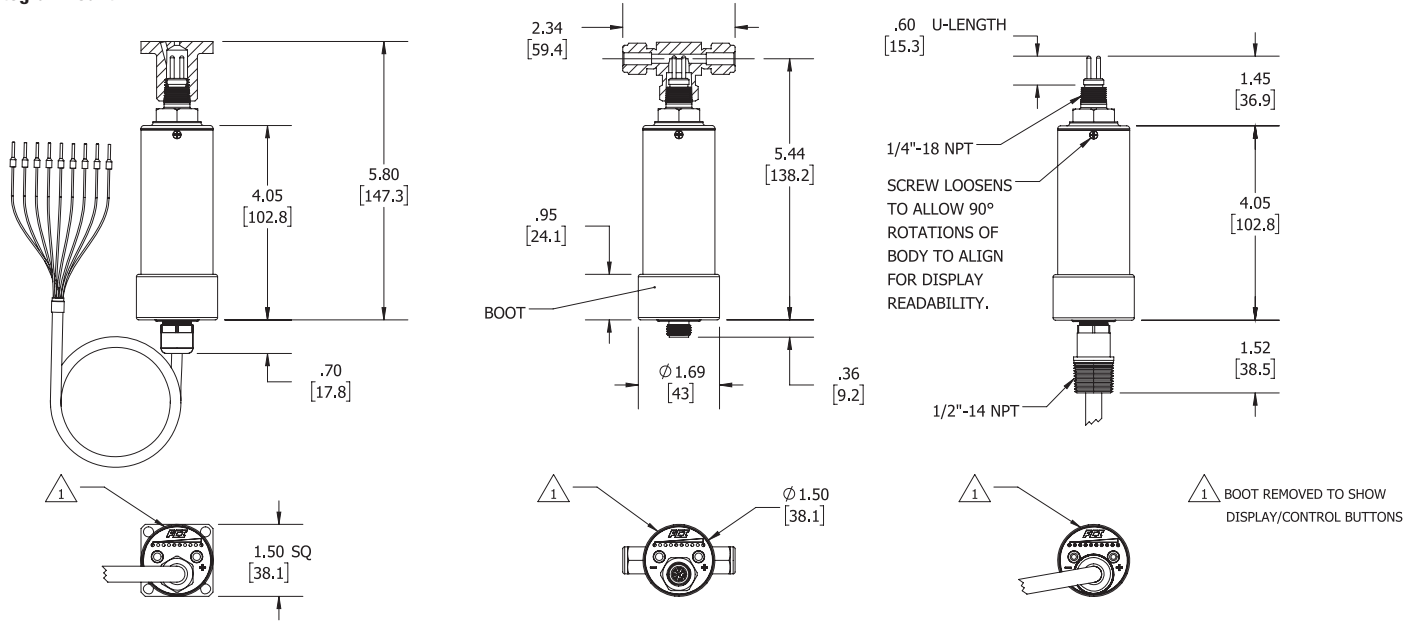


### Block 4 Order Code (FS10A OIS)

Code	Length	Connection at Flow Element	Connection at Electronics	Temp Service	Jacket Type
<b>B</b>	6' [2 m]	Potted	Molded M12	176 °F [80 °C]	Polyurethane
<b>C</b>	15' [5 m]	Potted	Molded M12	176 °F [80 °C]	Polyurethane
<b>D</b>	30' [10 m]	Potted	Molded M12	176 °F [80 °C]	Polyurethane
<b>H</b>	6' [2 m]	Potted	Removable M12	176 °F [80 °C]	Polyurethane
<b>J</b>	15' [5 m]	Potted	Removable M12	176 °F [80 °C]	Polyurethane
<b>K</b>	30' [10 m]	Potted	Removable M12	176 °F [80 °C]	Polyurethane
<b>E</b>	6' [2 m]	Potted	Removable M12	500 °F [260 °C]	PTFE
<b>F</b>	15' [5 m]	Potted	Removable M12	500 °F [260 °C]	PTFE
<b>G</b>	30' [10 m]	Potted	Removable M12	500 °F [260 °C]	PTFE

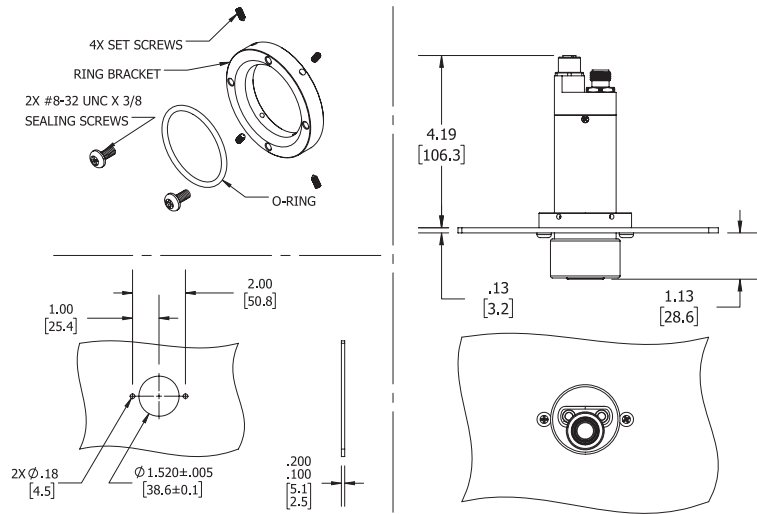
# Dimensional Drawings

## Integral Mount

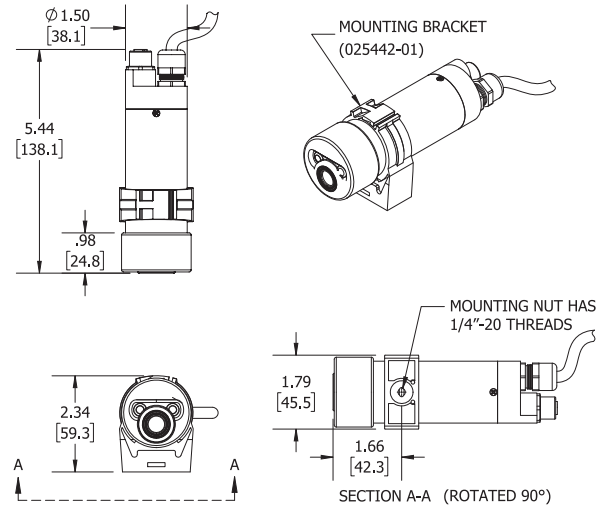


## Remote Mount

### Panel Mount Adapter *Selectable for remote configuration*

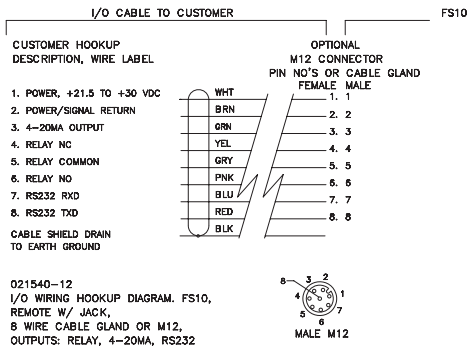


### Surface/Wall Mounting Bracket *Selectable for remote configuration*

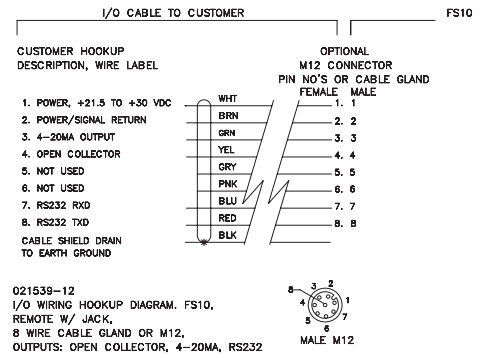


# Input/Output Wiring Diagrams

## FS10A OIS: Block 6, Code E



## FS10A OIS: Block 6, Code D



# FS10A Specifications

## Instrument

**Media Compatibility:** All gases and liquids compatible with 316L stainless steel and Hastelloy C-22

**Process Connection:** 1/4" NPT; compatible with 1/4", 3/8" and 1/2" tube tee, 1/4" tube tee with 1/8" injection tube adapters and SP76 adapter (FCI part number 019897-01)

### Flow Sensitivity/Range

	Air / Gas		Liquids	
	CC / Min	SCFH	CC / Min	GPH
	Min	Max	Min	Max
1/8" tube adapter with 0.0625" ID injection tube	10	2,000	0.02	5
1/8" tube adapter with 0.0940" ID injection tube	25	5,000	0.05	10
1/4" tube tee	50	20,000	0.10	40
SP76 adapter	50	20,000	0.10	40
3/8" tube tee	180	50,000	0.40	100
1/2" tube tee	375	100,000	0.80	200

**Repeatability:** ±0.5% of reading

**Temperature Coefficient** For temperatures > ±30 °F [±16 °C]

Gas: Maximum ±0.025% of reading/°F up to 500 °F  
[±0.05% of reading/°C up to 260 °C]

Liquid: Maximum ±0.2% of reading/°F up to 250 °F  
[±0.367% of reading/°C up to 121 °C]

**Turndown Ratio:** 5:1 to 100:1

## Agency Approvals

### Model FS10A Series Flow Switch

FM, FMc: For use in Class I, II, III, Division 2, Groups A, B, C, E, F and G indoor/outdoor Type 4X Hazardous (Classified) Locations

ATEX/UKEX: II 3 G Ex ec IIC T4 Gc, II 3 D Ex tc IIIC T81°C Dc, -40°C ≤ Ta ≤ +71°C Input: 24Vdc, 2.5W IP64	IECEX: Ex ec IIC T4 Gc, Ex tc IIIC T81°C Dc, -40°C ≤ Ta ≤ +71°C Input: 24Vdc, 2.5W IP64
---	---

### Remote Flow Element (Model Part # 023919)

FM, FMc: As Explosion-Proof for Class I, Division 1, Groups A, B, C, and D; T1...T6 Ta = -40°C to +65°C; and Dust-Ignition-Proof for Class II/ III, Division 1, Groups E, F, and G; T1...T6 Ta = -40°C to +65°C, Hazardous (Classified) Locations for use in United States with ingress protection of (Type 4X, IP67).

ATEX: II 2 G Ex db IIC T6...T1 Gb Ta = -40°C to +65°C; IP67  
II 2 D Ex tb IIIC T85°C...T450°C Db Ta = -40°C to +65°C; IP67

IECEX: Ex db IIC T1...T6 Gb; Ta = -40°C TO +65°C  
Ex tb IIIC Db T450°C...T85°C Db; IP67

(IP65, IP66, IP67 in non-Ex installations)

Refer to Installation Operation Manual for Zone 1/Division 1 installation

Other Compliances: CE Marking, CRN, complies with NEC & CEC code requirements of ANSI/ISA 12.27.01-2011 as a single seal device, UKCA, EAC / TR CU, KC Certification (Korea), RoHS Compliant, SIL 2 Compliant; Safe Failure Fraction (SFF) 90%



[www.FluidComponents.com](http://www.FluidComponents.com)

FCI's Quality Management System is ISO 9001 and AS9100 Certified

**FCI World Headquarters** 1755 La Costa Meadows Drive | San Marcos, California 92078 USA **Phone:** 760-744-6950 **Toll Free (US):** 800-854-1993

**FCI Europe** Persephonestraat 3-01 | 5047 TT Tilburg, The Netherlands | **Phone:** 31-13-5159989

### FCI Measurement and Control Technology (Beijing) Co., LTD

Room 107, Xianfeng Building II, No.7 Kaituo Road, Shangdi IT Industry Base, Haidian District | Beijing 100085, P. R. China | **Phone:** 86-10-82782381

Copyright 2010-2024 by Fluid Components International LLC. All rights reserved. Manufactured in accordance with one or more of the following patents: US Patent Numbers 7,201,033; 8,806,955; 9,010,994 (CN, DE, GB, KR, NL); 9228881; 9528868; 9671265; 11,105,666 (CA, CN, DE, GB, KR); China Patent Number 2017800582146; and other US and foreign applications pending FCI and FCI design, FLT, Vortab, FCI Nuclear and FCI Nuclear design are registered trademarks of Fluid Components International LLC. Information subject to change without notice.

HART® is a registered trademark; Foundation™ Fieldbus is a trademark of FieldComm Group; PROFIBUS® is a registered trademark of PROFIBUS.

1223

Doc No. 02MK011533J Page 4 of 4



## Flow Element

**Materials of Construction:** (Wetted parts) 316L stainless steel with Hastelloy C-22 thermowells; optional, all Hastelloy C-22 probe assembly

### Operating Temperature

Standard: -40 °F to 250 °F [-40 °C to 121 °C]

Optional: -40 °F to 500 °F [-40 °C to 260 °C];  
remote configuration only

### Operating Pressure

Tube tee fitting: Tube tee and insertion – 2000 psig [137 bar (g)]

SP76 adapter: Per SP76 manifold specifications up to 500 psig [34 bar (g)] maximum

## Enclosure / Housing

**Material:** Stainless steel body; aluminum end-cap/top with polyester overlay and clear, silicone sheath impact guard

### Protection Ratings

Non-Ex installations: IP65, IP66, IP67

FM, FMc approved: NEMA 4X

ATEX, IECEx approved: IP64

## Transmitter / Electronics

**Operating Temperature:** -40 °F to 160 °F [-40 °C to 71 °C]

### Output Signals

	Block 6, Order Code D	Block 6, Order Code E
Open Collector N-Channel (100mA)	■	
Relay, SPDT; 1A @ 24 Vdc; 120 Vac (ATEX: DC only)		■
4-20 mA Trending Output *	■	■
RS232C Serial I/O	■	■

\* 500 max. load; user scalable, general purpose, uncalibrated output proportional to flow rate for trend monitoring or assignable to temperature; fault indication per NAMUR NE43 guidelines, user-selectable for high (>21.0 mA) or low (<3.6 mA) default

For linearized and calibrated analog outputs, see FCI's line of thermal mass flow meter products

**Display:** 10 LED array, red; sequential lighting proportional to flow trend and flashes at setpoint

**User Interface:** Two top-mounted push buttons to program switch/trip point, zero and span setting, relay hysteresis and time delay; button operation may be user disabled to prevent unwanted changes; all set-up functions also programmable via RS232C port

**Input Power:** 24 Vdc (21.5 Vdc to 30 Vdc); maximum 2.5 watts

**Remote Configuration:** Transmitter/electronics are separated from the flow element and interconnected with a cable; flow element has potted cable terminating in an M12 for direct plug-in connection with the electronics; cable lengths available in 6', 15' and 30' [2 m, 5 m or 10 m] lengths; optional extended temperature service to 500 °F [260 °C] requires selection of the interconnecting cable with PTFE jacketing