



bourdon tube pressure gauges

anti-vibration version

DS 2.5" (63mm)



PED 2014/68/EU

These instruments are built in conformity with the construction and safety S2 specifications of EN 837-1.

Instruments designed for use on power units, pump, hydro-cleaning machines, presses, engine compressors, turbines, diesel engines, refrigerating plants and on machines and equipment where pulsating pressures or mechanical vibrations are apparent. They can be used with gaseous or liquid media which do not corrode copper alloy and which do not have high viscosity or do not cristalize.

1.10.2 - Fillable Model

Design: EN837-1.

Safety designation: S2 as per EN 837-1.

Ranges: from 0...15 to 0...10000 psi (from 0...1 to 0...600 bar or other equivalent units).

Accuracy class: 1,6 as per EN 837-1.

Ambient temperature: -13...+149°F (-25...+65 °C).

Process fluid temperature: +212°F (max +100 °C).

Thermal drift: max ±0,4 %/10 °C of ranges (starting from + 68 °F - 20 °C).

Working pressure:

75% of PSV for static pressure;

66% of PSV for pulsating pressure.

Over pressure limit (15 min max):

25% of PSV for pressure ranges ≤ 1500 psi (100 bar);

15% of PSV for pressure ranges over 1500 psi (100 bar).

Protection degree: IP 67 as per EN 60529/IEC 529.

Socket material: copper alloy.

Bourdon tube: copper alloy.

Case: stainless steel.

Ring: stainless steel, polished, crimped

Window: polycarbonate.

Movement: copper and stainless steel.

Dial: plastic, white with black markings

Pointer: not adjustable, aluminium, black

1.10.3 - Filled Model

Damping liquid: glycerine 98% or silicon oil.

Ambient temperature:

+32...+149 °F (0...+65 °C) with glycerine filling;

-40...+149 °F (-40...+65 °C) with silicon oil filling.

Process fluid temperature: max +149°F (+65 °C).

Other features: as fillable model.



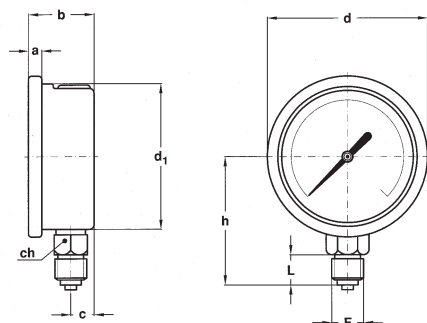
ISO 9001 : 2008

Cert. nr. 0433/6

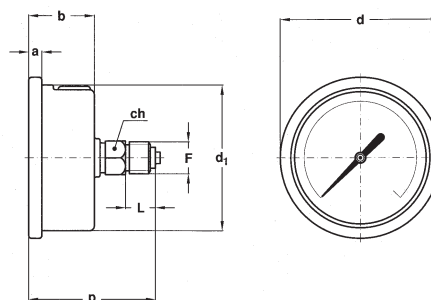
bourdon tube pressure gauge

MGS10

anti-vibration version DS 2.5" (63mm)



A - LOWER CONNECTION



D - BACK CONNECTION

Mounting	F	a	b	c	d	d ₁	h	p	L	ch	Weight (1)
Lower	21M - G 1/4 A	0.22"	1.10"	0.39"	2.67"	2.46"	2.17" - 2.13"		0.51"	0.51" x 0.35"	0.28 lbs
	23M - 1/4-18 NPT	(5,6)	(28)	(10)	(68)	(62,6)	(55,3 - 54,3)		(13)	(14 x 9)	(0,13 kg)
Back	21M - G 1/4 A	0.22"	1.10"		2.67"	2.46"		1.81" - 2.11"	0.39"	0.51" x 0.35"	0.30 lbs
	23M - 1/4-18 NPT	(5,6)	(28)		(68)	(62,6)		(54,8 - 53,8)	(13)	(14 x 9)	(0,14 kg)

dimensions : inches (mm)

(1) add 0.15 lbs (0,07 kg) when filled

OPTIONS

Model	fillable	filled
B - "U"-clamp, for back connection pressure gauges	◆	◆
C - Back flange, for lower connection pressure gauges	◆	◆
E - Front flange, for back connection pressure gauges	◆	◆
Q03 - Dial: aluminium (min. 100 pz)	◆	◆
S06 - Restrictor plug ø 0.015" (0,4 mm).	◆	◆
P01 - Suitable for filling with silicone	◆	
S10 - Silicone filling		◆
T37 - Tempered glass window	◆	◆

(1) Safety designation: S1 as per EN 837-1.

"HOW TO ORDER" SEQUENCE

Section / Model / Case / Mounting / Diameter / Range / Process connection / Options

1 **10** **2** **A** **C** **21M** **B, C, E**
 3 **D** **23M** **Q03...T37**

Copyright © Nuova Fima srl. All rights reserved. Any part of this publication should not be reproduced without a written Nuova Fima's srl approval

NUOVA FIMA USA Inc.
 www.nuovafima.com - e-mail: infousa@nuovafima.com
 4123 Hollister, Suite G - TX 77080 Houston
 TEL. +1 713.690.9800 - FAX +1 713.690.9803

-2-

NUOVA FIMA srl
 www.nuovafima.com - e-mail: info@nuovafima.com
 P.O. BOX 58 - VIA C. BATTISTI 59 - 28045 INVORIO (NO) ITALY
 TEL. +39 0322 253200 - FAX +39 0322 253232



RC6-03/14

IN ORDER TO IMPROVE THEIR PRODUCTION, MESSRS. NUOVA FIMA RESERVE THE RIGHT TO THEMSELVES TO MAKE ALL THE MODIFICATIONS THAT THEY DEEM INDISPENSABLE AT ANY TIME. UPDATED DATA-SHEETS ARE AVAILABLE ON SITE: www.nuovafima.com