

## HP series INCLINED LIQUID COLUMN MANOMETERS

Pressure / Depression

The HP range of inclined liquid column manometers, developed and manufactured by KIMO, measure slight variations in pressure, depression or differential pressure of air or gas. They are particularly recommended for measuring overpressures in clean rooms, operating blocks, laboratories, aseptic rooms, laminar flows....



### KEY POINTS

- High measurement sensitivity
- Very low pressure ranges
- Zero adjustment by moving the slide strip.
- Integrated spirit level for adjusting horizontality.
- Supplied with a white PVC support, 2 screws and 2 rawplugs, two 487 connectors and a bottle of AWS 10 liquid.

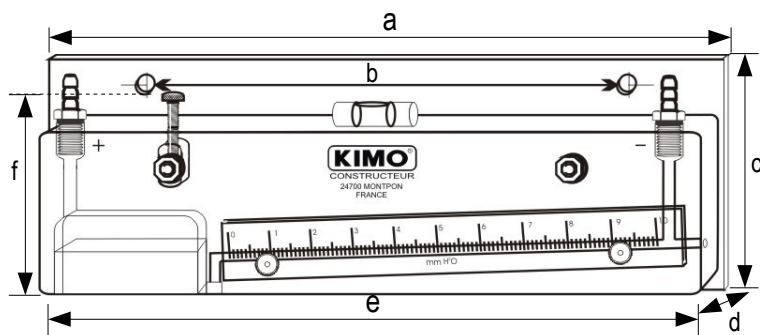
### MEASURING RANGE

Reference	Measuring range		Sensitivity scale for 1 mm CE or 10 PA	Resolution
	mm CE	Pascal		
HP 5	0 – 5	0 – 50	20 mm	0,1 mm CE or 1 Pa
HP 10	0 – 10	0 – 100	15 mm	0,1 mm CE or 1 Pa
HP 15	0 – 15	0 – 150	10 mm	0,1 mm CE or 1 Pa

## TECHNICAL FEATURES

<b>Recommended range of use</b>	From +5 to +30°C
<b>Possible range of use</b>	From -30 to +60°C
<b>Maximum static pressure</b>	6 bars
<b>Manometer body</b>	Transparent 20 mm thick Altuglas.
<b>Liquid column</b>	Entirely bored in the solid block, Ø 4 mm.
<b>Graduated slide strip</b>	Transparent Altuglas. Cross-section 20 x 2 mm.
<b>Zero adjustment</b>	By moving the graduated slide strip, travel 12 mm Fixed in place via milled, nickel-plated brass screw.
<b>Positioning</b>	Horizontal positioning via integrated spirit level and milled, nickel-plated brass adjusting screw, vertical travel 12 mm.
<b>Manometric liquid</b>	AWS 10 red oil, density 0.87 at 15°C.
<b>Reservoir capacity</b>	20 ml
<b>Connection</b>	Ø 5x8 mm semi-rigid crystal tube, on Ø 6.2 mm ribbed, nickel-plated brass connectors, 1/8 gas thread.
<b>Wall-mounted</b>	With or without white PVC support.

## DIMENSIONS



Reference	HP 5	HP 10	HP 15
a	184 mm	234 mm	234 mm
b	116 mm	166 mm	166 mm
c	80 mm	80 mm	80 mm
d	30 mm	30 mm	30 mm
e	180 mm	230 mm	230 mm
f	71 mm	71 mm	71 mm
Weight	340 g	430 g	430 g

## MOUNTING

1. **Mount** on a wall or a vertical partition wall with two maximum Ø 5 x 25 mm screws (supplied).
2. **Set horizontality** using the integrated level and the milled adjusting screw.
3. **Unscrew** the connector on the reservoir and **slowly pour the manometric liquid** to zero point on the graduation.
4. **Remount** the connector without overtightening.
5. **Connect** the manometer with the Ø 5 X 8 mm crystal tube to the pressure or depression source to be checked.

## NOTES :

- For a **pressure** measurement.....Connect the crystal tube to the **right-hand connector (+)**  
 For a **depression** measurement.....Connect the crystal tube to the **left-hand connector (-)**  
 For a **differential pressure**.....Connect the highest pressure to the **right-hand connector (+)** and the lowest pressure to the **left hand connector (-)**

## MAINTENANCE :

HP manometers require no special maintenance other than simply changing the reading liquid once a year.

[www.kimo.fr](http://www.kimo.fr)

Distributed by :



**EXPORT DEPARTMENT**  
 Tel : + 33. 1. 60. 06. 69. 25 - Fax : + 33. 1. 60. 06. 69. 29  
 e-mail : export@kimo.fr

TEMPCO sa    www.tempco.be    tempco@tempco.eu    tel: +32 4 2649458