



# MGS18

## bourdon tube pressure gauge all stainless steel construction DS 2.5" (63mm)



PED 2014/68/UE

These instruments are built in conformity with the construction and safety S2 specifications of **EN 837-1**.

These instruments are designed for use in chemical and petrochemical processing industries, and in conventional power plants, to measure gaseous or liquid media which do not have high viscosity or do not cristalize. They are built to resist the most severe operating conditions created by the ambient environment and the process medium. For use on power units, pumps, hydro-cleaning machines, presses, engine compressors, turbines, diesel engines, chemical, petrochemical and refrigerating plants and on machines and equipment where pulsating pressures or mechanical vibrations are apparent, the liquid-filled version is recommended.

### 1.18.1 - Standard Model

**Design:** EN 837-1.

**Safety designation:** S1 as per EN 837-1.

**Ranges:** from 0...15 to 0...15000 psi; (from 0...1 to 0...1000 bar),  
(or other equivalent units).

**Accuracy class:** 1.6 as per EN 837-1.

**Ambient temperature:** -40...+149 °F (-40...+65 °C).

**Process fluid temperature:** max +212°F (+100 °C).

**Thermal drift:** ±0,4 %/10 °C of range (starting from 68°F - 20°C).

**Working pressure:**

75% of FSV for static pressure;

66% of FSV for pulsating pressure.

**Over pressure limit (15 min max):**

25% of FSV for pressure ranges ≤ 1500 psi (100 bar);

15% of FSV for pressure ranges 1500...9000 psi (100...600 bar);

10% of FSV for pressure ranges over 9000 psi (600 bar).

**Protection degree:** IP 55 as per EN 60529/IEC 529.

**Socket material:** AISI 316L st.st.

**Bourdon tube:** AISI 316L st.st.

**Case:** stainless steel.

**Ring:** stainless steel, bayonet lock.

**Window:** polycarbonate.

**Movement:** stainless steel.

**Dial:** plastic white with black markings.

**Pointer:** adjustable, aluminium, black.

### 1.18.2- Fillable Model

**Safety designation:** S2 as per EN 837-1.

**Protection degree:** IP 67 as per EN 60529/IEC 529.

**Ring:** stainless steel, crimped.

**Pointer:** not adjustable, aluminium, black.

**Other features:** as Standard Model.

### 1.18.3 - Filled Model

**Safety designation:** S2 as per EN 837-1.

**Damping liquid:** glycerine 98% or silicon oil.

**Ambient temperature:**

+32...+149 °F (0...+65 °C) with glycerine filling;

-4...+149 °F (-20...+65 °C) with glycerine filling mixture;

-40...+149 °F (-40...+65 °C) with silicon oil filling.

**Process fluid temperature:** max +149°F (+65 °C).

**Protection degree:** IP 67 as per EN 60529/IEC 529.

**Ring:** stainless steel, crimped.

**Pointer:** not adjustable, aluminium, black.

**Other features:** as Standard Model



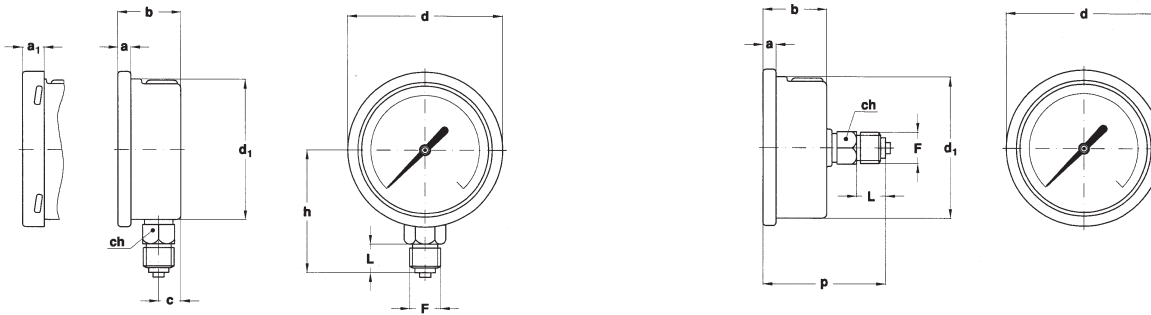
ISO 9001 : 2008  
Cert. nr. 0433/6

**bourdon tube pressure gauge**  
**all stainless steel construction, DS 2.5" (63mm)**

**MGS18**

RC8 - 00/13

IN ORDER TO IMPROVE THEIR PRODUCTION, MESSRS. NUOVA FIMA RESERVE THE RIGHT TO THEMSELVES TO MAKE ALL THE MODIFICATIONS THAT THEY DEEM INDISPENSABLE AT ANY TIME. UPDATED DATA SHEETS ARE AVAILABLE ON SITE: [www.nuovafima.com](http://www.nuovafima.com)



**A - LOWER CONNECTION**

**D - BACK CONNECTION**

Mounting	F	a	a <sub>1</sub>	b	c	d	d <sub>1</sub>	h	p	L	ch	Weight (1)
Lower	21M - G 1/4 A	0.22"	0.37"	1.10"	0.39"	2.67"	2.46"	2.13" - 2.17"		0.51"	0.55"	0.28 lbs
	23M - 1/4-18 NPT	(5,6)	(9,5)	(28)	(10)	(68)	(62,6)	(54,3 - 55,3)		(13)	(14)	(0,13 kg)
Back	21M - G 1/4 A	0.22"	0.37"	1.10"		2.67"	2.46"		2.11" - 2.15"	0.51"	0.55"	0.30 lbs
	23M - 1/4-18 NPT	(5,6)	(9,5)	(28)		(68)	(62,6)		(53,8 - 54,8)	(13)	(14)	(0,14 kg)

dimensions : inches (mm)

(1) add 0.15 lbs (0,07 kg) when filled

**OPTIONS**

Model	standard	fillable	filled
<b>B</b> - "U"-clamp, for back connection pressure gauges		◆	◆
<b>C</b> - Back flange, for lower connection pressure gauges	◆	◆	◆
<b>E</b> - Front flange, for back connection pressure gauges		◆	◆
<b>P01</b> - Suitable for filling with silicone		◆	
<b>S10</b> - Silicone filling			◆
<b>G11</b> - Glycerine filling mixture			◆
<b>T37</b> - Glass tempered window (1)	◆	◆	◆
<b>T32</b> - Safety glass window	◆		

(1) Safety designation: S1 as per EN 837-1.

**"HOW TO ORDER" SEQUENCE**

Section / Model / Case / Mounting / Diameter / Range / Process connection / Options  
**1 18 1 A C 21M B, C, E**  
**2 D 23M P01...T32**  
**3**

Copyright © Nuova Fima srl. All rights reserved. Any part of this publication should not be reproduced without a written Nuova Fima's srl approval

**NUOVA FIMA USA Inc.**  
[www.nuovafima.com](http://www.nuovafima.com) - e-mail: [infousa@nuovafima.com](mailto:infousa@nuovafima.com)  
 4123 Hollister, Suite G - TX 77080 Houston  
 TEL. +1 713.690.9800 - FAX +1 713.690.9803

**NUOVA FIMA srl**  
[www.nuovafima.com](http://www.nuovafima.com) - e-mail: [info@nuovafima.com](mailto:info@nuovafima.com)  
 P.O. BOX 58 - VIA C. BATTISTI 59 - 28045 INVORIO (NO) ITALY  
 TEL. +39 0322 253200 - FAX +39 0322 253232

