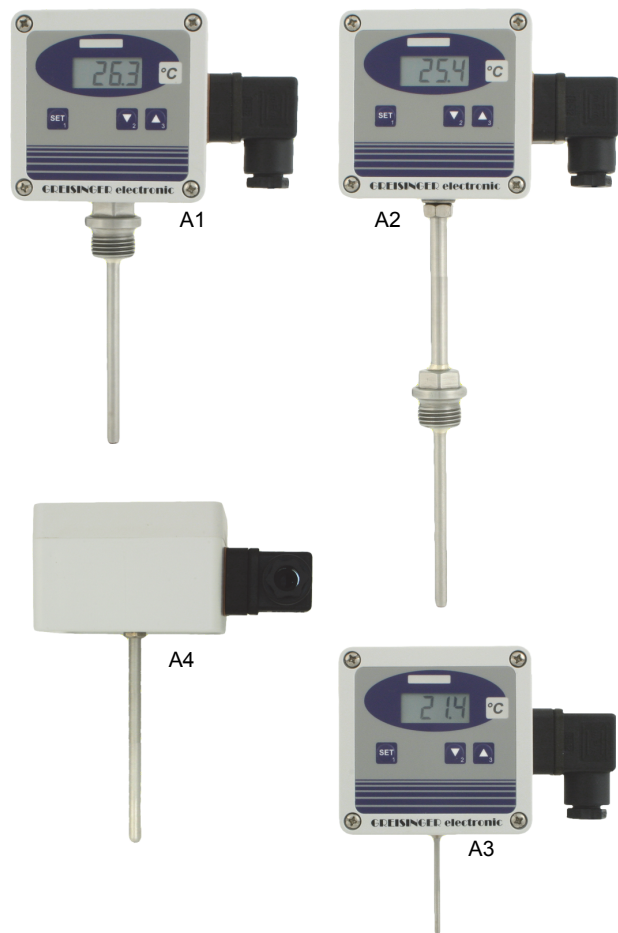


Product Information

Temperature

Temperature Probe with Transmitter GTMU-MP



- Optimal adaptability due to 4 different design types
- Freely scalable measuring range
- With display by default

Characteristics

The GTMU-MP is a temperature probe with integrated transmitter. There are 4 basic design types. This ensures optimal adaptability to different conditions like higher temperatures, outdoor usage or wall mounting.

The measurement is done by means of a resistive temperature sensor (Pt1000, 2- wire). The measuring range is freely scalable via buttons. The transmitter outputs linearized current or voltage signals.

The GMTU-MP has a display by default and is completely customized according to customer requirements.

Technical data

Sensor element : Pt1000 (2-wire)
 Measuring range : -50.0..+400.0 °C, freely scalable
 Accuracy :
 Temperature display : ±0.4 % of m.v. ±0.2 °C
 Output signal : ±0.2 % FS
 Output signal : standard 4..20 mA (2-wire)

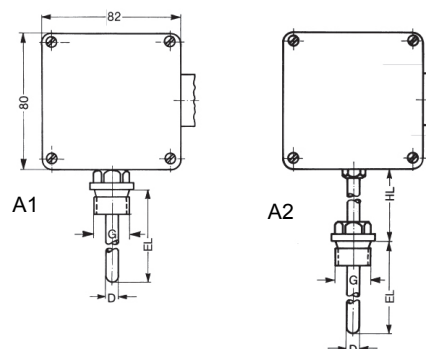
Power supply U_v : optional 0..1 V, 0..10V (3- / 4- wire)
 : 12..30 V DC (standard),
 : 18..30 V DC at output signal .. V
 Permissible burden R_A : (at 4..20 mA) R_A = (U_v - 12 V) / 0.02 A
 Permissible load R_L : (at ... V) R_L > 3000 Ω
 Working temperature : -25..+70 °C (electronics)
 Housing material : ABS
 Probe material : stainless steel
 Protection class : IP65
 Mounting : with fastening holes for wall mounting or
 : with tube support made of plastic for
 : duct mounting
 Electrical connection : elbow-type plug (EN 175301-803/A)
Display
 Display : LCD-display
 Height : 10 mm
 Display range : 4 digit
Functions : Min-/max- value memory
 : Zero point / slope digitally adjustable
 : output signal freely scalable

	A1	A2	A3	A4
Process connection (standard)	G ½		—	—
Fitting length (standard)	EL = 100 mm	EL = 100 mm	EL = 50 mm	EL = 100 mm
Neck tube length (standard)	—	HL = 100 mm	—	—
Diameter (standard)	D = 6 mm	D = 6 mm	D = 3 mm	D = 6 mm

Design types

A1	with process connection G ½ for screw-in
A2	for higher temperatures, process connection G ½ in distance to housing, HL = length of neck tube
A3	indoor / outdoor probe for wall mounting <i>(potting of electronics necessary for outdoor application)</i>
A4	duct probe with centrally mounted sensor tube pointing downwards

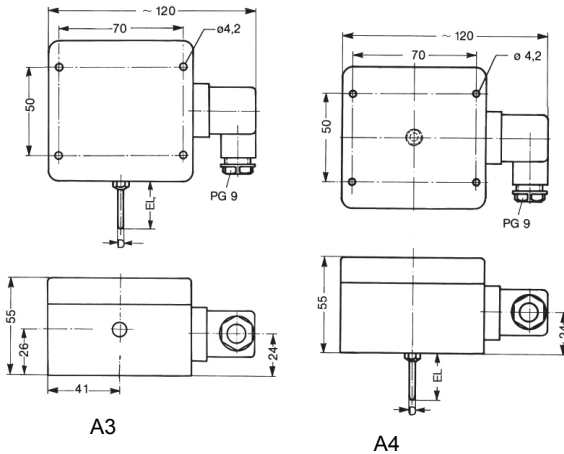
Dimensions



continued on next page

Product Information

Temperature



Ordering code

GTMU-MP - 1. - 2. - 3. - 4. - 5. - 6. - 7.

1. Design type		
A1	as per description	
A2	as per description	
A3	as per description	
A4	as per description	
2. Output signal		
A1	4..20 mA (2-wire) (standard)	
V1	0..1 V (3-/ 4-wire)	
V2	0..10 V (3-/ 4-wire)	
3. Fitting length EL		
050	50 mm (standard A3)	
100	100 mm (standard A1, A2, A3)	
xxx	any EL in mm (e.g.: 200 = 200 mm)	
4. Probe diameter D		
D03	Ø 3 mm (standard A3)	
D04	Ø 4 mm	
D05	Ø 5 mm	
D06	Ø 6 mm (standard A1, A2 and A4)	
D08	Ø 8 mm	
5. Thread (only at design type A1 and A2)		
G1	G ½, V4A (standard)	
G2	G ¼, V4A	
G3	G ¾, V4A	
G5	G ⅝, V4A	
M5	M5, V4A	<i>only D = 3 mm possible</i>
M6	M6, V4A	<i>only D = 3 mm possible</i>
M8	M8, V4A	<i>max. D = 5mm possible</i>
M0	M10, V4A	<i>max. D = 6mm possible</i>
M2	M12, V4A	
6. Length of neck tube HL (only at design type A2)		
100	100 mm (standard)	
xxx	any HL in mm (e.g.: 500 = 500 mm)	
7. Options (combination of multiple options upon request)		
000	without Option	
LACK	board varnished on both sides (for outdoor usage)	
DSG	Double sensor accuracy	