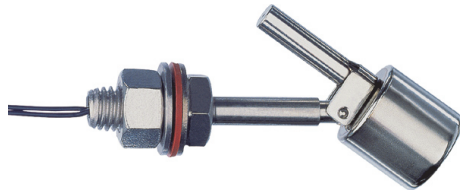


Product Information

RW-015HKL

**Level Switch
RW-015HKL**

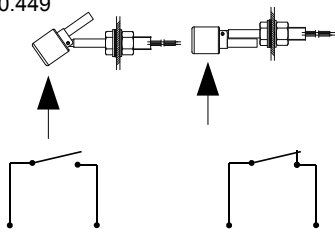


- Temperature up to 200 °C
- Highly reproducible
- Normally open or normally closed contact

Characteristics

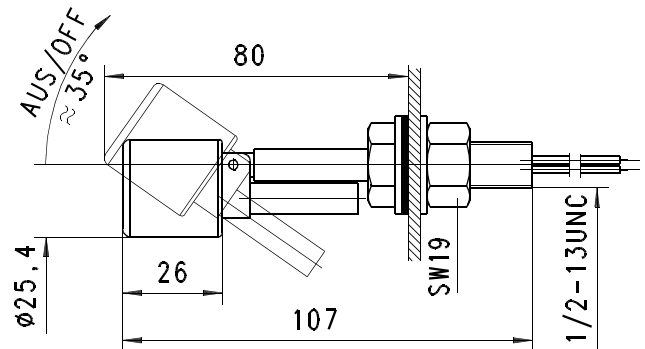
Mechanical level monitor for fluid media, with contact-free triggering of a reed contact.

Technical data

| | |
|----------------------------|--|
| Switch | reed switch |
| Process connection | male thread 1/2 -13 THD |
| Density of medium | ³ 0.7 g/cm ³ |
| Pressure resistance | PN 6 bar |
| Medium temperature | -20..+200 °C |
| Ambient temperature | -20..+70 °C |
| Media | water, oils (aggressive media available on request) |
| Wiring | 'normally open' or 'normally closed' No. 0.449  |
| Switching voltage | max. 220 V AC |
| Switching current | max. 0.14 A |
| Switching capacity | max. 30 VA |

| | |
|---------------------------------|-------------------------|
| Protection class | 2 - safety insulation |
| Ingress protection | IP 65 |
| Electrical connection | wiring 600 mm |
| Materials medium-contact | 1.4571 |
| Weight | 0.12 kg |
| Installation location | horizontal installation |

Dimensions



Handling and operation

- It must be ensured that the values given for voltage, current, and power are not exceeded.
- When switched on, a load must be connected in series.
- The electrical details apply to ohmic loads. Capacitive, inductive and lamp loads must be operated using a protective circuit.
- Not suitable for use in media with ferritic particles.

Ordering code

RW - 1. 015 2. H 3. K 4. L

| | | |
|---------------------------------|-----|-------------------------------|
| 1. Connection size | 015 | threaded connection 1/2 13UNC |
| 2. Process connection | H | screw-in thread |
| 3. Connection material | K | stainless steel |
| 4. Electronic connection | L | wiring |