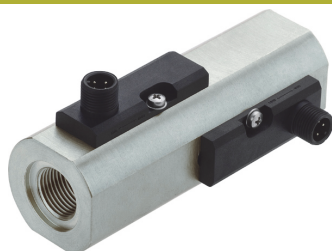


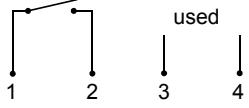
Product Information**FW4V-015GM****Flow Switch
FW4V-015GM**

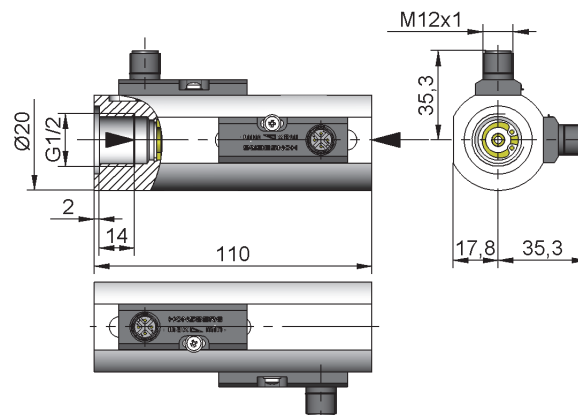
- Bidirectional flow switching
- Viscosity stabilised
- Compact design

Characteristics

Mechanical flow switch, for viscous media, with spring-supported piston and magnetic triggering of a reed switch.

Technical data

Sensor	reed switch
Nominal width	DN 15
Process connection	female thread G 1/2
Switching point	1 l/min the switching point is suitable for horizontally decreasing flows.
Pressure loss	8 bar at Q _{max.}
Q_{max.}	10 l/min
Tolerance	±10 %
Viscosity stability	at 30..330 mm ² /s ±10 %, min ± 0.5 l/min
Pressure resistance	PS 300 bar
Media temperature	-20 °C..+90 °C
Ambient temperature	-20 °C..+70 °C
Media	oils
Wiring	normally opened (n.o.) No. 0.378 
Switching voltage	max. 230 V AC
Switching current	max. 0.5 A
Switching capacity	max. 50 VA
Protection class	2 - safety insulation
Ingress protection	IP 67
Electrical connection	for round plug connector M12x1, 4-pole
Materials medium-contact	CW614N nickelled, 1.4310, hard ferrite
Non-medium-contact materials	PC, 1.4305
Weight	0.95 kg
Installation location	Standard: horizontal inwards flow; other installation positions are possible; the installation position affects the switching point.

Dimensions**Handling and operation****Note**

- Include straight calming section of 5 x DN in inlet and outlet.
- If the media are dirty, install a filter (use magnetic filter for ferritic components).
- It must be ensured that the values given for voltage, current, and power are not exceeded.
- When switch on, a load must be connected in series.
- The electrical details apply to ohmic loads. Capacitive, inductive and lamp loads must be operated using a protective circuit.

Adjustment

The setting of the switching points to 1 l/min is carried out in the factory.

Ordering code

FW4V - 1. 015 2. G 3. M 4. 001

1. Nominal width	015	DN 15 - G 1/2
2. Process connection	G	female thread
3. Connection material	M	brass
4. Switching point H₂O for horizontal inwards flow	001	1 l/min

Options

- Special values
- Cable outlet 3 m

Ordering information

- For viscous media specify viscosity, temperature, and medium (e.g. ISO VG 68) (enquire about switching range).