

GHM Messtechnik GmbH – Location Honsberg
Tenter Weg 2-8 • 42897 Remscheid • Germany
Fon +49-2191-9672-0 • Fax -40
www.ghm-messtechnik.de • info@honsberg.com

GHM - HONSBERG

A-H2

Product Information

Switching Head A-H2.1

For devices HD1K- HD2K-
HD1KO- HD2KO-

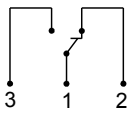


- I M1 Ex ia I Ma
- II 1G Ex ia IIC T4 Ga
- II 1D Ex ia IIB T135° C Da

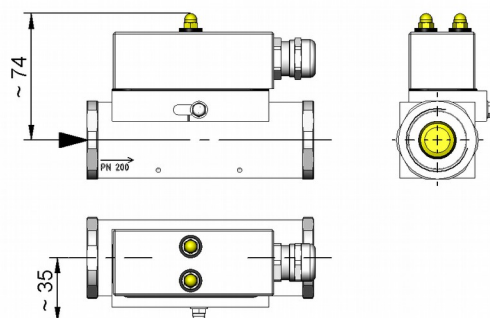
Characteristics

Intrinsically safe switching head with reed switch and ATEX approval, for the HD range of devices, for use in intrinsically safe power circuits.

Technical data

Switch	reed switch
Temperature	T _v max. 50 °C
Weight	0.35 kg additionally
Switch	reed switch
Wiring	changeover no. 0.282 
Switching voltage	max. 30 V
Switching current	max. 1.5 A
Switching capacity	max. 50 W
Ingress protection	IP 65
Protection class	3 - protective extra low voltage
Electrical connection	cable screw gland M20x1.5 for cable diameter 7-13 mm corresponding to DIN EN 60079-14, VDE 0165 part 1, blade cross-section max. 1.5 mm ²

Dimensions



Handling and operation

Note

All

- For use only in intrinsically safe power circuits - Provide a suitable isolating amplifier.
- Cable lengths max. 5 m.
- It must be ensured that the values given for voltage, current, and power are not exceeded.
- When switched on, a load must be connected in series.
- The electrical details apply to ohmic loads. Capacitive, inductive and lamp loads must be operated using a protective circuit.

HD1KO- / HD2KO-

- Display with plastic parts - do not open in an explosive atmosphere.

Adjustment

If it is necessary to set the switching value, the switching head can be adjusted lengthways. When the switching value is reached, the switching unit is fixed in place by a fastening bolt.



Ordering code

The basic device is ordered e.g. HD1K-015GM005A with Switching head A-H2.1

... professional Instruments "MADE IN GERMANY"