

Product Information**UK- / UKV-020GM / K****Flow Meter
UK-020**

- Frontal scale imprint
- Optionally valve
- Installation plate

Characteristics

A float moves in a transparent conical measurement tube, relative to the flow. The position of the float depends on the volume flow (weight force versus resistance to flow), and indicates the flow rate on the scaled measurement tube.

Technical data

Switch	without	
Nominal width	DN 4	
Process connection	female thread 1/8" NPT	
Metering range	0.005..25 l/min	for details see table "Ranges"
Q_{max.}	to 30 l/min	
Tolerance	±5 % of full scale value	
Pressure resistance	PN 6 bar	
Medium temperature	-20..+65 °C	
Ambient temperature	-20..+65 °C	
Media	water, gases	
Electrical data	none	
Materials medium-contact	<i>Brass construction:</i> acrylic, glass, 1.4305, 1.4310, CW614N, NBR	<i>Stainless steel construction:</i> acrylic, glass, 1.4305, 1.4310, FKM
Non-medium-contact materials	acrylic, CW614N, PS valve: ABS, CW614N	
Weight	0.13 kg	
Installation location	vertical inwards flow from below	

Ranges**Medium water**

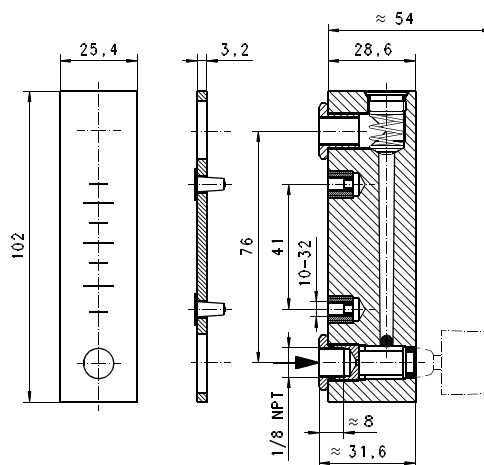
The details in the table correspond to a vertical inwards flow from below.

Metering range	Q _{max.} recommended	Type
5.0 - 50 cm ³ /min	6 l/min	UK.-020G.W0050
10.0 - 100 cm ³ /min		UK.-020G.W0100
20.0 - 240 cm ³ /min		UK.-020G.W0240
0.2 - 3 l/h		UK.-020G.W0003
0.5 - 6 l/h		UK.-020G.W0006
1.0 - 15 l/h		UK.-020G.W0015
4.0 - 40 l/h		UK.-020G.W0040
10.0 - 80 l/h	UK.-020G.W0080	

Medium air

The details in the table correspond to a vertical inwards flow from below, with the medium at a temperature of 0 °C and a pre-pressure of 1.013 bar.

Metering range	Q _{max.} recommended	Type
0.04 - 0.5 NI/min	0.7 NI/min	UK.-020G.L0000
0.10 - 1.0 NI/min	1.2 NI/min	UK.-020G.L0001
0.40 - 5.0 NI/min	6.0 NI/min	UK.-020G.L0005
2.50 - 25.0 NI/min	30.0 NI/min	UK.-020G.L0025

Dimensions

Product Information

UK- / UKV-020GM / K

Handling and operation

- Include straight calming section of 5 x DN in inlet and outlet
- If the media are dirty, install a filter

Ordering code

UK 1. 2. 3. 4. 5.
UK 020 G

1. Valve	
-	without valve
V-	with valve
2. Series	
020	020, 1/8" NPT
3. Process connection	
G	female thread
4. Connection material	
M	brass
K	stainless steel
5. Display range H₂O for vertical inwards flow	
W0050	5.0 - 50 cm ³ /min
W0100	10.0 - 100 cm ³ /min
W0240	20.0 - 240 cm ³ /min
W0003	0.2 - 3 l/h
W0006	0.5 - 6 l/h
W0015	1.0 - 15 l/h
W0040	4.0 - 40 l/h
W0080	10.0 - 80 l/h
Display range air (0 °C 1.013 bar abs.) for vertical inwards flow	
L0000	0.04 - 0.5 NI/min
L0001	0.10 - 1.0 NI/min
L0005	0.40 - 5.0 NI/min
L0025	2.50 - 25.0 NI/min

Options

- Metering ranges and special scales under defined operating pressures / temperatures
- Seal made of FKM only for brass construction)

Ordering information

- Specify direction of flow, medium, and display range.
- For gases, state pressure (relative or absolute), temperature and medium (e.g. air) (request display range)