

Product Information**OW-008..050GM****Flow Indicator
OW-...GM**

- No moving parts internally
- Installation location as desired
- For heavily soiled or coloured fluids
- Natural glass, acrylic glass

Characteristics

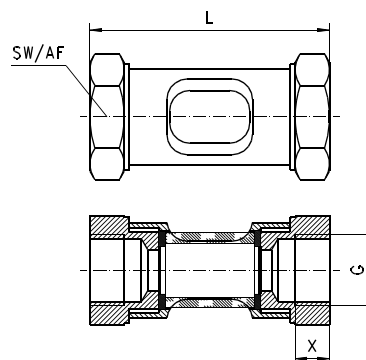
Devices made from solid brass, where the medium can be visually examined through the sight glass (fluid level, colour, bubbles,...).

Technical data

| | |
|---------------------------------|----------------------------------------------------------------------------------------------------------------------|
| Nominal width | DN 8..50 |
| Process connection | female thread G 1/4..G 2 |
| Q_{max.} | G 1/4 - 15 l/min G 3/8 - 20 l/min G 1/2 - 30 l/min G 1 - 90 l/min G 1 1/2 - 220 l/min G 2 - 250 l/min |
| Pressure resistance | PN 6 bar |
| Medium temperature | -20..+70 °C |
| Ambient temperature | -20..+70 °C |
| Materials medium-contact | DN 8..15 - CW614N pickled, natural glass DN 25..50 - CW614N nickelled, acrylic glass |
| Medium | water, oils |
| Weight | see table "Dimensions and weights" |
| Installation location | as desired |

Dimensions and weights

| G | Types | L | SW | X | Weight kg |
|---------|----------|-----|----|----|-----------|
| G 1/4 | OW-008GM | 70 | 19 | 12 | 0.08 |
| G 3/8 | OW-010GM | | 27 | 11 | 0.16 |
| G 1/2 | OW-015GM | | 32 | 10 | 0.20 |
| G 1 | OW-025GM | 90 | 46 | 19 | 0.82 |
| G 1 1/2 | OW-040GM | 130 | 60 | 23 | 1.40 |
| G 2 | OW-050GM | 148 | 65 | 25 | 1.50 |

**Ordering code**

OW - 1. 2. 3.
OW - **G** **M**

| 1. Nominal width | |
|------------------------|-----------------|
| 008 | DN 8 - G 1/4 |
| 010 | DN 10 - G 3/8 |
| 015 | DN 15 - G 1/2 |
| 025 | DN 25 - G 1 |
| 040 | DN 40 - G 1 1/2 |
| 050 | DN 50 - G 2 |
| 2. Process connection | |
| G | female thread |
| 3. Connection material | |
| M | brass |