

## FLOWMETERS WITH GLASS TUBE

### SERIE E

#### ENGINEERING SPECIFICATIONS

**Accuracy:**

$\pm 2\%$  f.s.v. standard; better accuracy optional

**Repeatability:**

$< \pm 0.25\%$  of actual read value

**Scale length:** 250 mm (10") nominal

**Rangeability:** 10:1

**Scale graduation:**

direct reading or proportional 10-100 with reading factor

**Advised fluid temperatures:**

0-90°C with Buna O-Rings

0-120°C with Viton O-Rings

**Connections:**

female gas screwed UNI 338

and flanged UNI EN-1092-1 standard.

Other types of connections screwed or flanged (ANSI, DIN, etc.) optional.

#### MATERIALI DI COSTRUZIONE

**Parti bagnate:** Acciaio al carbonio, standard.

A richiesta: Acciaio inox AISI 316L, Hastelloy B o C, Monel, Titanio, PVDF

**Tubo di misura:** vetro borosilicato

**Galleggiante a sfera:** vetro, AISI 316, carburo di tungsteno, standard

**Galleggiante conico:** AISI 316L, alluminio, standard.

Hastelloy B o C, Titanio, Monel, Moplen, PVDF, Teflon a richiesta

**Arresti:** AISI 316 standard.

Hastelloy, Monel, PVDF a richiesta

**Guarnizioni:** O-ring in Buna "N" standard. Viton, EPDM a richiesta.

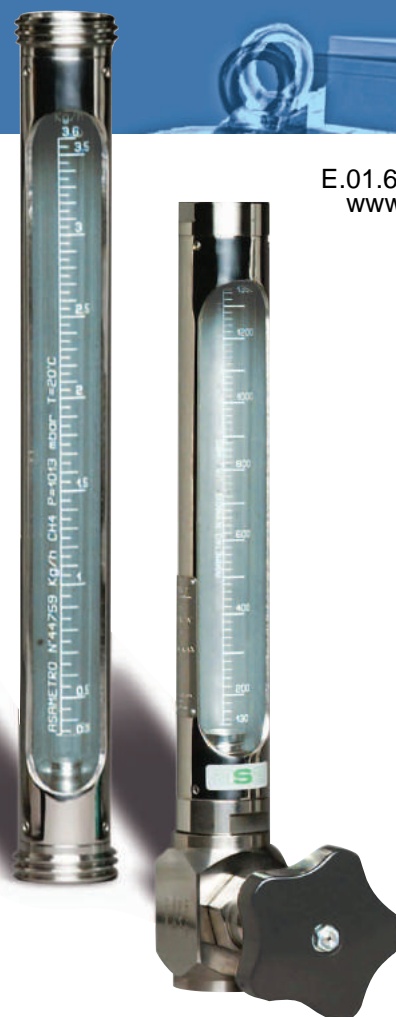
Per particolari esigenze viene impiegato qualsiasi elastomero

**Struttura:** Acciaio al carbonio verniciato con polveri epossidiche, standard.

Acciaio inox AISI 304, a richiesta

**Flange:** Acciaio al carbonio verniciato, standard.

Acciaio inox AISI 316L, a richiesta.



E.01.690-E-181012  
www.tempco.be

#### CONSTRUCTION MATERIALS

**Wetted parts:** carbon steel standard. AISI 316L stainless steel, Hastelloy B and C, Monel, Titanium, PVDF optional

**Metering tube:** borosilicate glass

**Spherical float:** glass, AISI 316 stainless steel, tungsten carbide, standard

**Cone float:** AISI 316L stainless steel, aluminium, standard.

Hastelloy B and C, Titanium, Monel, Moplen, PVDF, Teflon, optional

**Float stops:** AISI 316L stainless steel, standard. Hastelloy, Moplen, PVDF, Teflon optional

**O-Rings:** Buna "N" standard.

Viton or any other elastomer optional

**Housing:** carbon steel painted with epoxy resin standard. AISI 304 stainless steel optional

**Flanges:**

carbon steel (painted) standard. AISI 316L stainless steel, optional.



## SERIE E

### Alimentatore Dati tecnici

**Tensione alimentazione:** 220V, 50 Hz  
oppure 110V, 50 Hz

**Uscita:** 1 o 2 relais di scambio. Carico max ammissibile 4 A – 250 Vca – 500 VA.  
L'alimentatore deve essere sempre installato in zona sicura.

### INDUCTIVE ALARM OF MIN AND MAX FLOWRANGE FOR INDICATING ASAMETERS

*On request it is available bistable reed sensor with AISI 304 stainless steel cover execution only, adjustable across the overall metering range.*

*Otherwise Asameters® can be supplied with inductive type sensor, available with intrinsically safe control circuit also (Ex ib II C).*

### Sensor

#### Engineering specifications

*Inductive monostable switching action. When required, possible bistable switching action (just for some sizes)*

**Power supply requirements:** 8 Vdc

**Repeatability:** ±0.3% f.s.v.

**Environment temperature limits:**

*-25° to +60° C*

**Tightness limit:** IP 67

*Maximum allowable distance between sensor and feeder m. 4000 cable length (cable excluded from supply)*

### Feeder

#### Engineering specifications

**Power supply:** 220 V, 50 Hz  
or 110 V 50 Hz

**Output:** one or two switch relays max allowable load rating 4 A – 250 Vac – 500 VA.

*The feeder cannot be installed in hazardous areas.*



### PORTATE DI RIFERIMENTO REFERENCE FLOW RATES

Asametri con galleggiante a sfera  
*Asameters with spherical float*

Grandezza Size	Materiale Sfere Sphere Material	H <sub>2</sub> O T=20°C l/h		Aria Air P=1013 mbar a T=20°C nl/h		Pressione Max esercizio per Max working pressure for T < 100 °C
		Da From	A To	Da From	A To	
2600	Vetro Glass	0,07	1	3	60	24
	AISI 316	0,2	3	10	115	
	Vetro Glass	0,1	2,5	4	115	24
	AISI 316	0,2	6	16	220	
	Vetro Glass	0,05	4	4	190	24
	AISI 316	0,1	10	10	340	
	Vetro Glass	0,3	11	20	560	24
	AISI 316	1	30	40	1000	
	Carb. di Tung T.C.* 1		45	100	1400	24
	Vetro Glass	1,9	19	85	850	
	AISI 316	5	50	160	1600	
	Carb. di Tung T.C.* 7		70	200	2100	

T.C.\* Tungsten Carbide

**Asametri a bassa perdita di carico con galleggiante a piattello (solo per gas)**  
**Low loss of charge Asameters with disk float (for gases only)**

Grandezza <i>Size</i>	Aria <i>Air</i> P=1013 mbar a T=20°C nl/h		
	Da <i>From</i>	A <i>To</i>	ΔP mbar
2600	160	1600	6
	250	2500	6,5
	400	4000	5,5
2800	630	6300	4,5
	1000	10000	4,5
3000	2500	25000	6
	4000	40000	4,5
3100	6300	63000	5,5

Tutti gli Asametri® hanno galleggiante in inox AISI 316L guidato a piattello. *All Asameters® have AISI 316L stainless steel guided disk float.*



**Asametri con galleggiante conico**  
**Asameters with conic float**

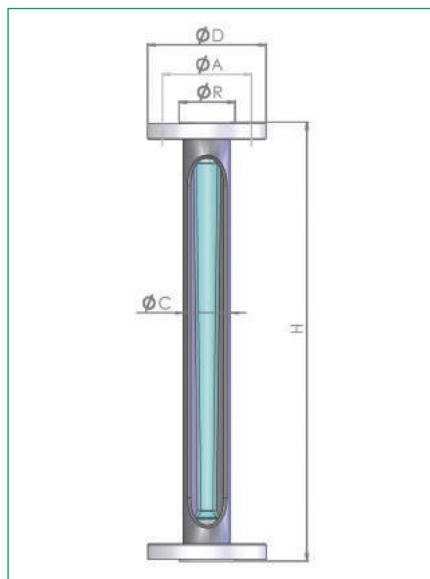
Grandezza <i>Size</i>	H <sub>2</sub> O T=20°C l/h			Air T=20°C P=1013 mbar a nl/h			Pressione Max esercizio <i>Max Working Pressure for T &lt; 100° C</i>
	Da <i>From</i>	A <i>To</i>	ΔP mbar	Da <i>From</i>	A <i>To</i>	ΔP mbar	
2600	4	40	3	<b>100</b>	<b>1000</b>	2	21
	6,3	63	8	<b>130</b>	<b>1300</b>	4	
	7	70	10	160	1600	5	
	10	100	7	<b>160</b>	<b>1600</b>	2	
	13	130	12	<b>250</b>	<b>2500</b>	5	
				250	2500	5	21
				400	4000	12	
	16	160	4	<b>400</b>	<b>4000</b>	2	
	25	250	10	<b>600</b>	<b>6000</b>	5	
	320	16	630	630	6	14	
			1000	10000	15		
2800	40	400	8	<b>1000</b>	<b>10000</b>		6
	63	630	19	<b>1250</b>	<b>12200</b>	9	14
	65	680	23	1600	16000	15	
	100	1000	18	<b>1600</b>	<b>16000</b>	5	
	130	1300	33	<b>2500</b>	<b>23500</b>	13	
				2500	23500	13	
				4000	40000	34	10
3000	160	1600	11				
	250	2500	27	<b>4000</b>	<b>40000</b>	9	
	320	3200	44	<b>5500</b>	<b>58000</b>	17	
				6300	63000	22	
				10000	100000	63	
	400	4000	20	<b>6300</b>	<b>63000</b>	6	
	630	6300	48	<b>10000</b>	<b>100000</b>	15	
	700	7000	60	<b>12500</b>	<b>125000</b>	23	
				<b>16000</b>	<b>160000</b>	<b>38</b>	7
3100	1000	10000	45	<b>16000</b>	<b>160000</b>	13	
	1300	13000	76	<b>24000</b>	<b>240000</b>	30	
				25000	250000	32	6
				40000	400000	82	

**Portate in grassetto** = galleggiante in alluminio.  
 Per particolari esigenze, è possibile fornire galleggianti costruiti con altri materiali.  
**Flow-ranges in bold print** = aluminium float.  
 For specific needful, floats with other materials manufactured can be supplied.

**DIMENSIONI DI INGOMBRO**  
**DIMENSIONAL DRAWINGS**

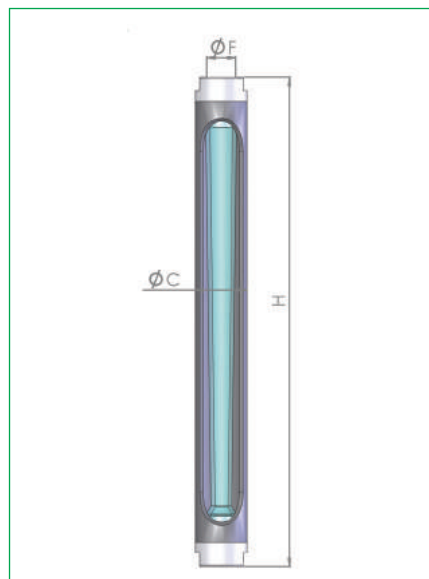
**Attacchi flangiati UNI 2223/29 PN10**  
**Flanged connections UNI 2223/29PN10**

Mod.	2600	2800	3000	3100
DN	15	25	40	65
øC mm	38	54	80	100
D mm	95	115	150	185
H mm	353	353	446	480
Kg	2,20	4,10	9,20	15,20



**Attacchi filettati Gas f**  
**Female Gas screwed connections**

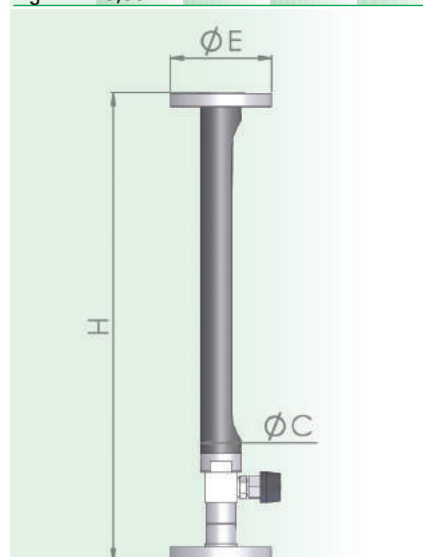
Mod.	2600	2800	3000	3100
øF	1/2"	1"	1" 1/2	2"
øC mm	38	54	80	100
H mm	360	360	460	490
Kg	1,00	2,10	5,90	9,60



**VERSIONI SPECIALI**  
**CON VALVOLA A SPILLO**  
**SPECIAL VERSIONS**  
**WITH NEEDLE VALVE**

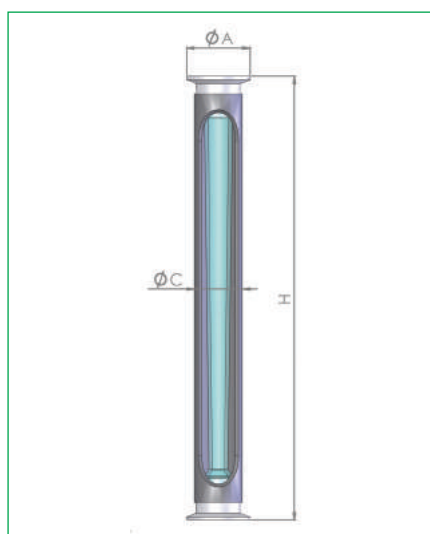
**Attacchi flangiati UNI 2223/29 PN10**  
**Flanged connections UNI 2223/29 PN10**

Mod.	2600			
DN	1/2"			
øC mm	38			
H mm	443			
øE mm	95			
Kg	3,00			



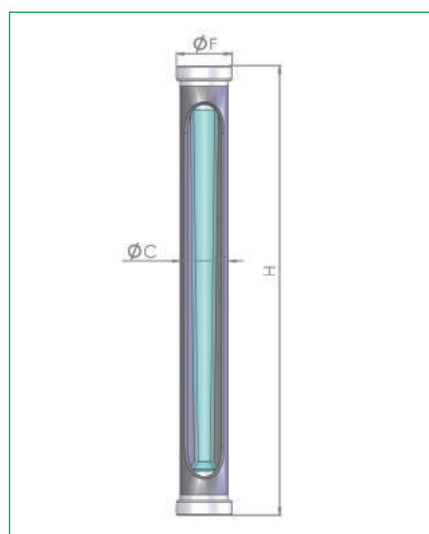
**Attacchi Triclamp**  
**Triclamp flanged connections**

Mod.	2600	2800	3000	3100
øF	1"	2"	3"	3"
øC mm	38	54	80	100
øA mm	50,4	63,9	90,9	90,9
H mm	353	360	460	490
Kg	1,00	2,10	5,90	9,60



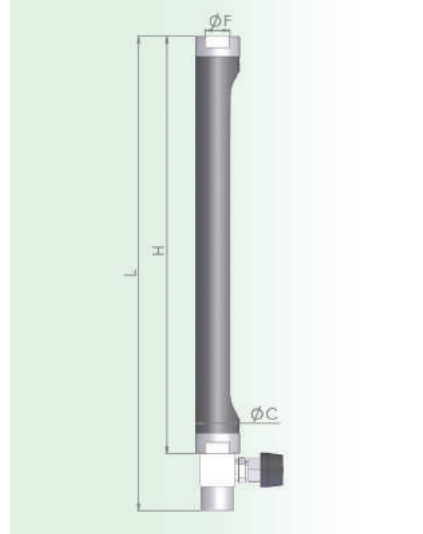
**Attacchi DIN 11851**  
**DIN 11851 connections**

Mod.	2600	2800	3000	3100
DN	20	25	40	65
øC mm	38	54	80	100
Fm	44x1/6	52x1/6	65x1/6	95x1/6
H mm	357	381	470	510
Kg	1,20	2,50	8,10	15,2



**Attacchi filettati Gas-F**  
**Female Gas screwed connections**

Mod.	2600			
øF	1/2"			
øC mm	38			
H mm	360			
L mm	410			
Kg	1,50			



Specifiche soggette a modifica senza preavviso. Specifications are subject to change without any notice.

**ASA S.r.l.**

Sede commerciale: Via T. Tasso, 29 - 20099 Sesto San Giovanni / Milano / Italy  
Tel. +39 02 26221432 / Fax +39 02 2482558 e-mail asa@asapa.com / www.asapa.com



71/2\_04/13  
ASA-MISURE