

Direct Mount Manifolds - Wafer Style

B.01.040-E-190412
www.tempco.be

Direct Mount Manifolds (2, 3 and 5 Valve Manifolds)

AS-Schneider Direct Mount Manifolds are designed for direct mounting to Pressure and Differential Pressure Transmitters – either Transmitters with standard flange connection in accordance with DIN EN 61518 / IEC 61518 or alternatively to Rosemount 2051/3051 Coplanar™ Pressure Transmitters. The standard vent connection is 1/4 NPT female. Pipe plugs are not installed as standard to 2 and 5 Valve Manifolds. For plugged vent ports (factory installed) and other options see Page 33, 37 and 40 – Ordering Information Direct Mount Manifolds.

The standard type of 3 Valve Manifolds is the one without vent connection. 3 Valve Manifolds with vent connection are supplied with installed pipe plugs as standard. Integral Style 3 Valve Manifolds with Coplanar™ flange connection are provided with vent connections 1/4 NPT female as standard – plugged with vent valves type VS.

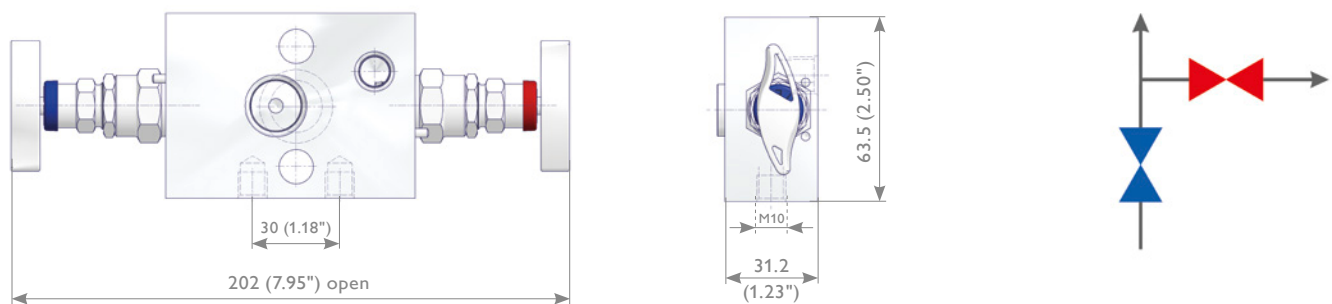
We differentiate between Wafer Style Manifolds (see Page 28-33) and Traditional Style Manifolds (see Page 34-37), the Wafer Type for the Rosemount 2051/3051 Coplanar™ Pressure Transmitter is just called Coplanar™ Style Manifold. You will find the Integral Manifolds for 2051/3051 Coplanar™ Pressure Transmitters on Page 38-40. Accessories like Swivel Gauge Adaptors, Vent Valves etc. see Pages 48-53.

The dimensions shown apply only to the illustrated valves (1/2 NPT Threaded / Flange Interface DIN EN 61518) – if you need the dimensions for your individual type or should you still not find your options at all please contact the factory.

Wafer Style Manifolds

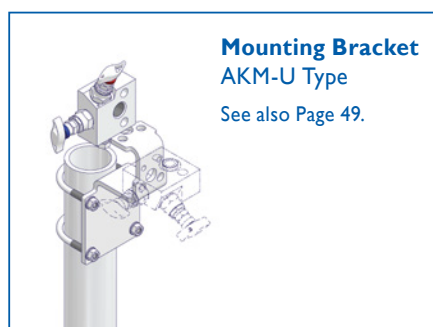
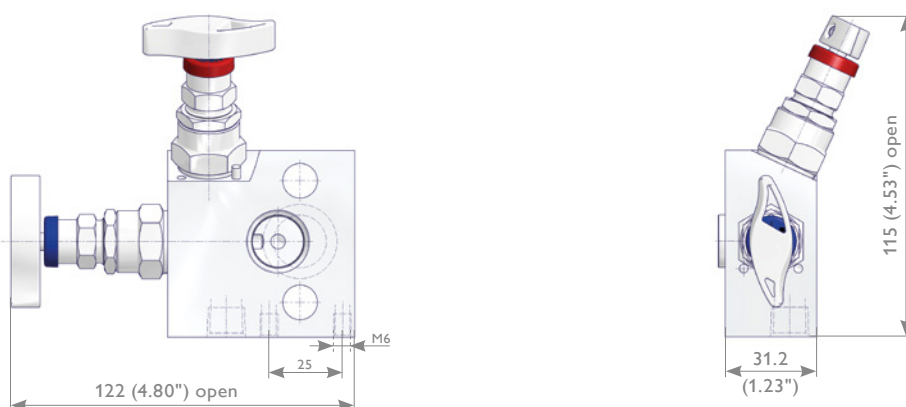
2 Valve Manifolds – Standard

W2AA Type



2 Valve Manifolds – L-Shaped Bonnet Orientation

W2LA Type

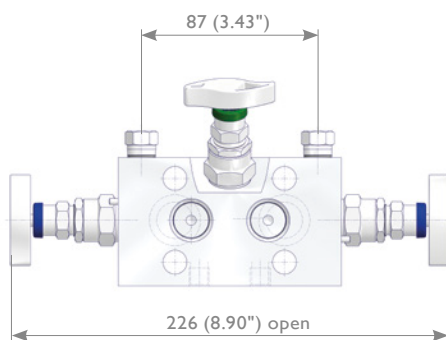
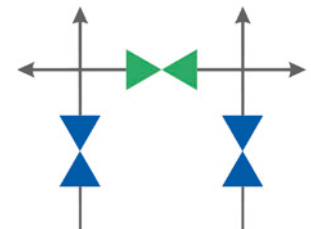
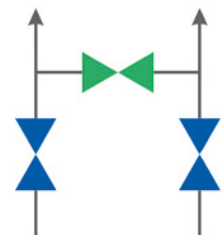
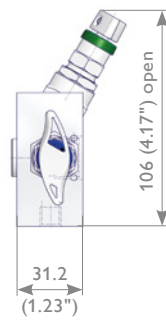
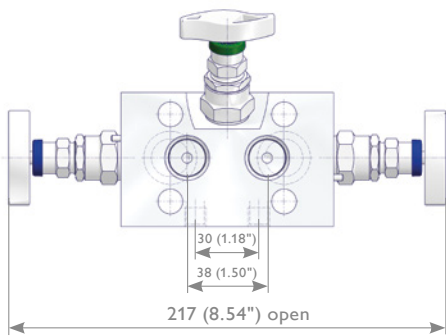


Direct Mount Manifolds - Wafer Style

3 Valve Manifolds – Standard (Female x Flanged)

Without Vent Connection W3AA Type

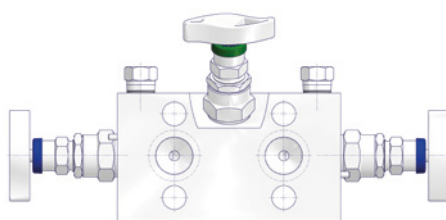
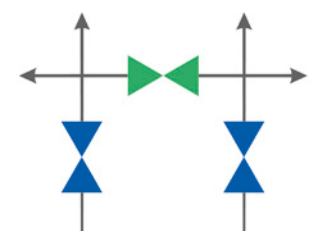
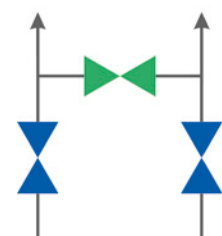
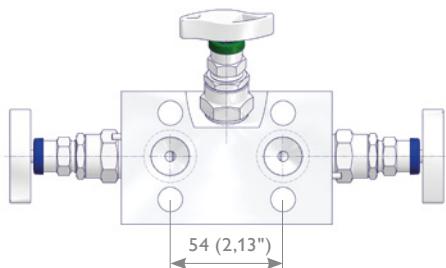
With Vent Connection W3BA Type



3 Valve Manifolds – Standard (Flanged x Flanged)

Without Vent Connection W3AB Type

With Vent Connection W3BB Type

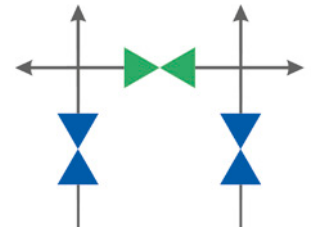
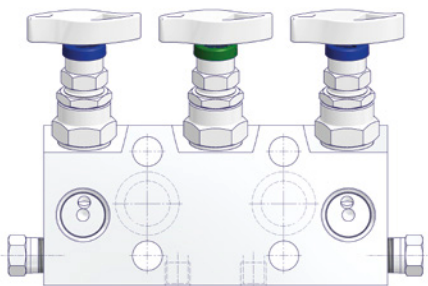
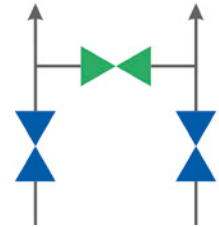
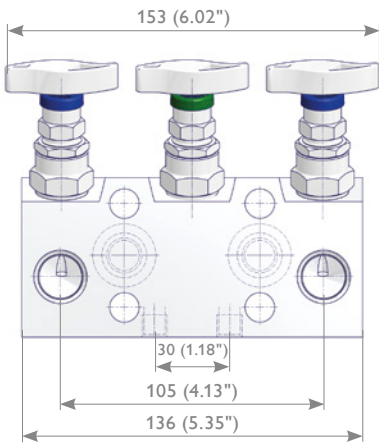


Direct Mount Manifolds - Wafer Style

3 Valve Manifolds – Compact Design (Female x Flanged)

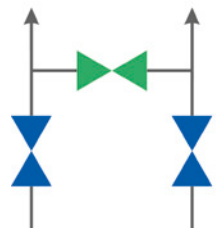
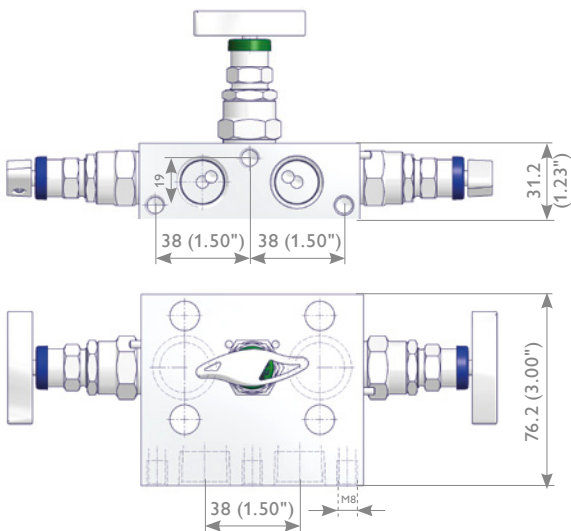
Without Vent Connection W3CA Type

With Vent Connection 1/4 NPT Female W3DA Type



3 Valve Manifolds – Bottom Inlet Design (Female x Flanged)

W3EA Type



For Bottom Inlet Design only

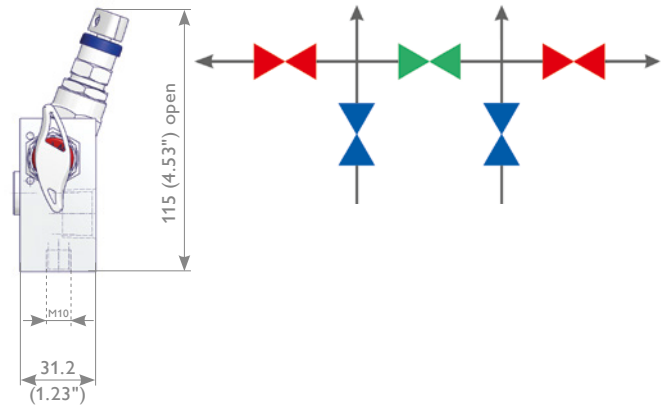
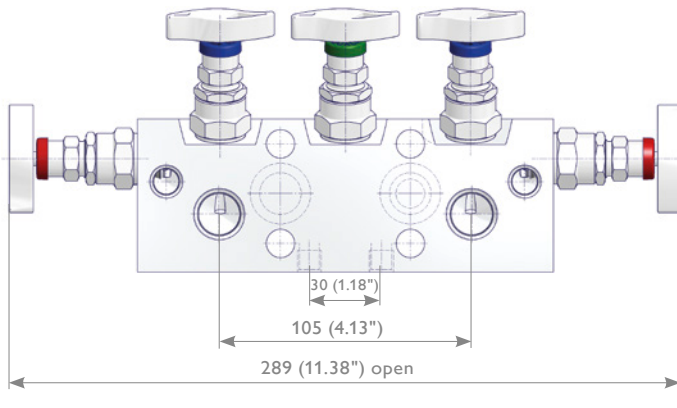


For Compact Design

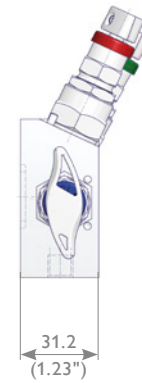
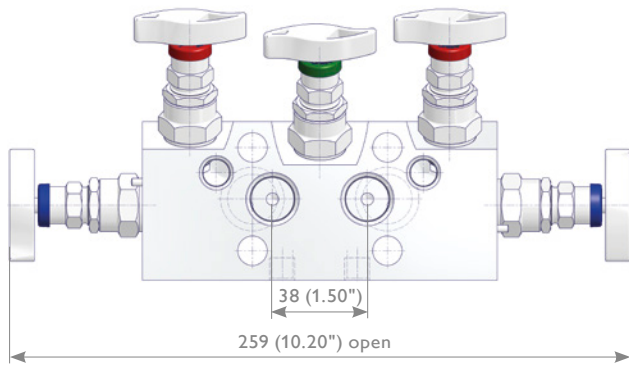


Direct Mount Manifolds - Wafer Style

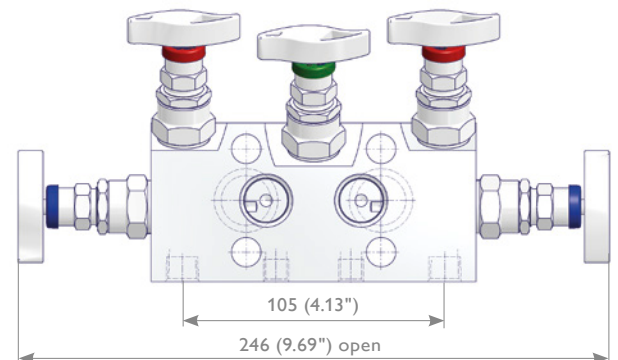
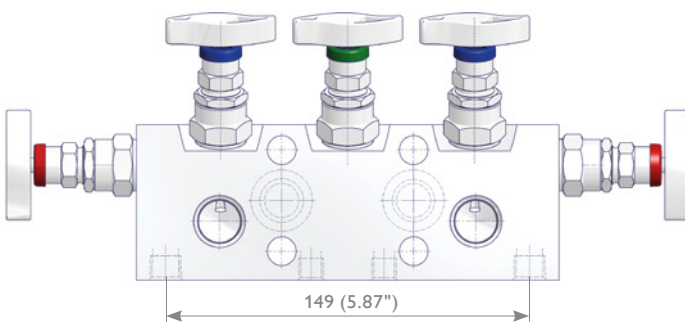
5 Valve Manifolds – Standard (Female x Flanged IEC 61518-A) W5AA Type



5 Valve Manifolds – Female x Flanged IEC 61518-B W5AA Type



5 Valve Manifolds – Female x Flanged Vent Ports on Bottom Face W5GA Type



Illustrated type with IEC 61518-A connection*

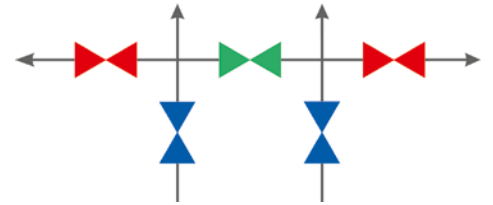
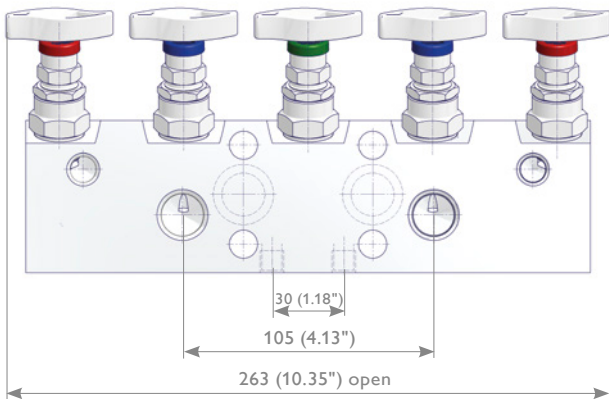
* Other dimensions same as W5AA Type

Illustrated type with IEC 61518-B connection*
Only suitable for AKM-U type Mounting Bracket

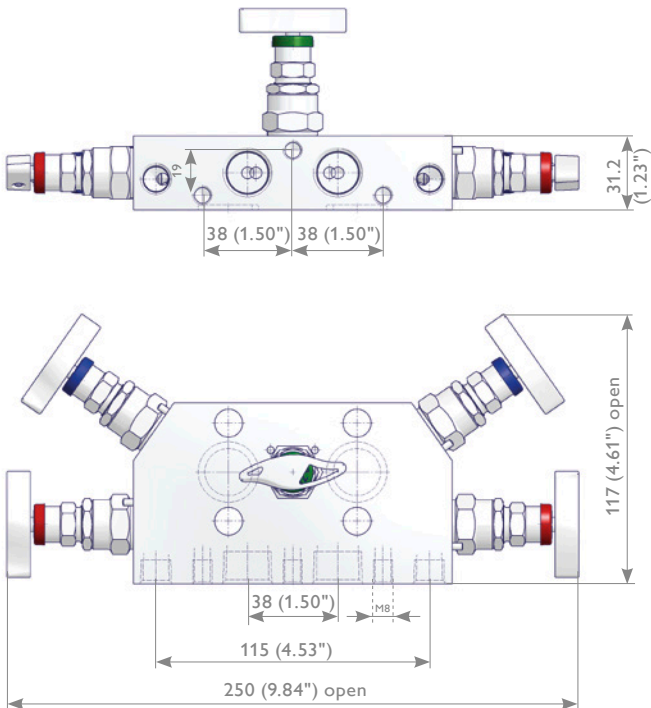


Direct Mount Manifolds - Wafer Style

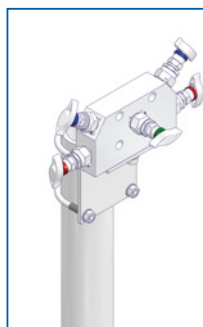
5 Valve Manifolds – Compact Design (Female x Flanged) W5CA Type



5 Valve Manifolds – Bottom Inlet Design (Female x Flanged) W5EA Type

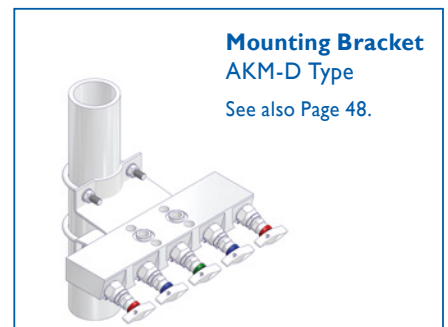


For Bottom Inlet Design only



Mounting Bracket
AKM-B Type
See also Page 48.

For Compact Design



Mounting Bracket
AKM-D Type
See also Page 48.

Direct Mount Manifolds - Wafer Style

Ordering Information

	1	2	3	4	5	6	7	8	9	10	11	12	13	14	15	16
	W	2	A	A	S	B	-	N	4	T	E	-	A	P	S	
W	Wafer Style Manifolds															
	Quantity Bonnets – 2-5															
	Manifold Specifics															
A	Standard – 2 Valve / 5 Valve Manifold with Vent Ports 1/4 NPT Female, 3 Valve Manifold without Vent Port															
B	Vent Ports 1/4 NPT Female Plugged – For 3 Valve Manifolds only ^{*2}															
C	Compact Design – 5 Valve Manifold with Vent Ports 1/4 NPT Female, 3 Valve Manifold without Vent Port															
D	Compact Design – 3 Valve Manifold with Vent Port 1/4 NPT Female															
E	Bottom Inlet Design															
G	Vent Ports on Bottom Face of the 5 Valve Manifold															
L	L-Shaped Bonnet Orientation															
	Inlet															
A	Female															
B	Flanged															
C	1/2 NPT with Tube Fittings															
D	G 1/2 with Tube Fittings															
	Material															
S	1.4401 / 1.4404 / 316 / 316L				F	Duplex UNS S31803				B	6Mo UNS S31254					
M	Alloy 400 UNS N04400				D	Super Duplex UNS S32750				T	Titanium Grade 2					
H	Alloy C-276 UNS N10276				V	Alloy 625 UNS N06625										
	Bonnet															
A	PTFE				K	O-Ring FKM (FPM by ISO)										
B	Graphite				W	Carbon filled PTFE – TA-Luft										
D	ISO FE Series Type 1				2	Bellows sealed PN 100										
E	ISO FE Series Type 3				4	Bellows sealed PN 250										
	Inlet															
	Thread Type				Fitting Type				Flange Interface							
N	NPT				C	Single Ferrule Tube Fitting				T	Flange Interface					
H	BSP Parallel (G) – DIN 3852				K	Twin Ferrule Tube Fitting										
	Thread Size				Tube Fitting Sizes				Flange Interface							
2	1/4				4	12 resp. 12S				4	EN 61518 without 1/4 NPT					
4	1/2				5	14 resp. 14S										
					9	1/2"										
	Outlet															
	Transmitter Interface															
TD	DIN EN 61518-A															
TE	DIN EN 61518-B															
	Options - Specify in alphabetical order (digits first, then letters)															
B	Cleaned and Lubricated for Oxygen Service – For PTFE Packing only															
F	PCTFE Soft Tip															
G	POM Soft Tip															
S	Stellite Valve Tip															
A	Vent Ports Plugged ^{*2}															
P	Power Piping ASME B31.1 – For Graphite Packing only															
K	Arctic Operations (-55°C (-67°F)) – For PTFE Packing only															
M	Wetted Parts with 3.1 certificate															
	Operation Options															
J	Stainless Steel Handwheel with Locking Plate Design															
T	Anti-Tamper Bonnet (Key to be ordered separately)															
R	Anti-Tamper Bonnet (1 Key supplied per Valve/Manifold)															
Q	AT-Key Lock Bonnet Design															
U	Padlock for Anti-Tamper Bonnet / AT-Key Lock Bonnet Design															
WV	Stainless Steel Handwheel															
	Standard Accessory Kits for Manifold to Transmitter mounting according to DIN EN 61518 / IEC 61518^{*4}															
1	Hex Cap Screw 7/16-20 UNF, Bolt Length 1 3/4", C.S., PTFE Seal Rings															
2	Hex Cap Screw 7/16-20 UNF, Bolt Length 1 3/4", Bolt Material S.S. = 316 Stainless Steel I ASTM A193 B8M Class 2, PTFE Seal Rings															
3	Hex Cap Screw 7/16-20 UNF, Bolt Length 1 3/4", C.S., Graphite Seal Rings															
4	Hex Cap Screw 7/16-20 UNF, Bolt Length 1 3/4", Bolt Material S.S. = 316 Stainless Steel I ASTM A193 B8M Class 2, Graphite Seal Rings															
	Mounting Bracket Kits															
7	CST Mounting Bracket AKM-D Type for 2" Pipe Mounting supplied separately – For Vertical Impulse Piping Installations ^{*1 *3}															
8	SST Mounting Bracket AKM-B, or -D Type for 2" Pipe Mounting supplied separately – For Vertical Impulse Piping Installations ^{*1 *3}															
9	SST Mounting Bracket AKM-U Type for 2" Pipe Mounting supplied separately – For Horizontal and Vertical Impulse Piping Installations ^{*1}															

^{*1} Relevant Bracket Type see Pages 28-32.

^{*2} For W3B Types Option A is not relevant because it is already included.

^{*3} Not applicable for W5GA type with IEC 61518-B connection.

^{*4} Mentioned bolt length 1 3/4" not applicable for manifold type W3AB/W3BB - the bolt length depends here on the flange thickness of the flange on the process side.