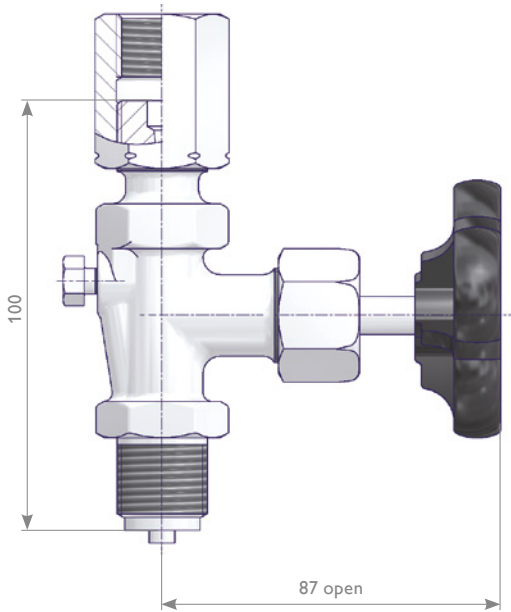


Gauge Valves without Test Connection

B.01.080-E-190423
www.tempco.be

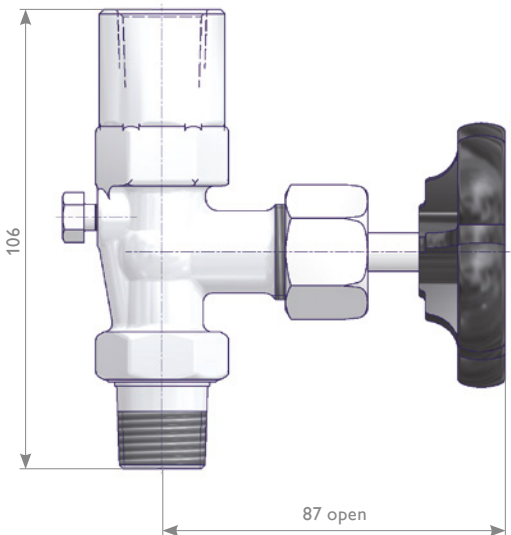
Instrument Connection - Adjusting Nut



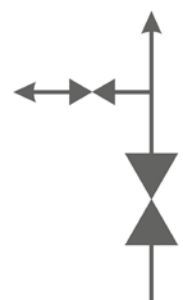
Inlet	Outlet	Material	References	Part Number
G 1/2 Male	G 1/2 Adjusting Nut	Brass	DIN 16270 Type A	S004.16.000
			DVGW approved	S004.26.000
		Brass (AP)*	DIN 16270 Type A	S004.16.000.32
			1.0460	DIN 16270 Type A
		DVGW approved		S004.26.100
		1.4571	DIN 16270 Type A	S004.16.200
DVGW approved	S004.26.200			
M 20 x 1.5 Male	M 20 x 1.5 Adjusting Nut	Brass		S004.16.050
		1.0460		S004.16.150
		1.4571		S004.16.250

* Brass (AP) = Body, Adjusting Nut and Union Nut in Brass

Instrument Connection - 1/2 NPT Female

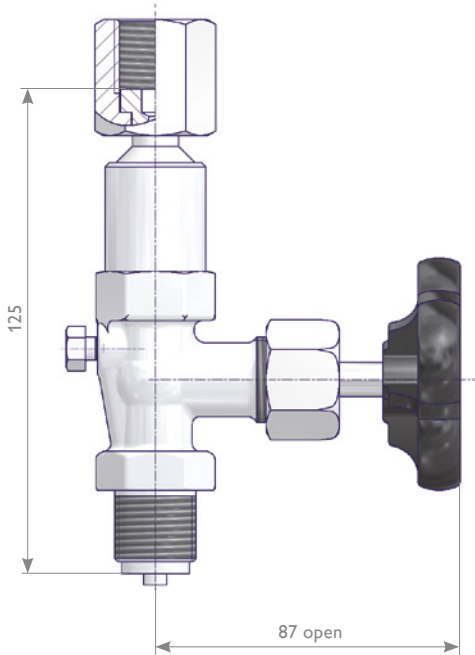


Inlet	Outlet	Material	References	Part Number
1/2 NPT Male	1/2 NPT Female	Brass		S004.16.083
		1.0460		S004.16.183
		1.4571		S004.16.283

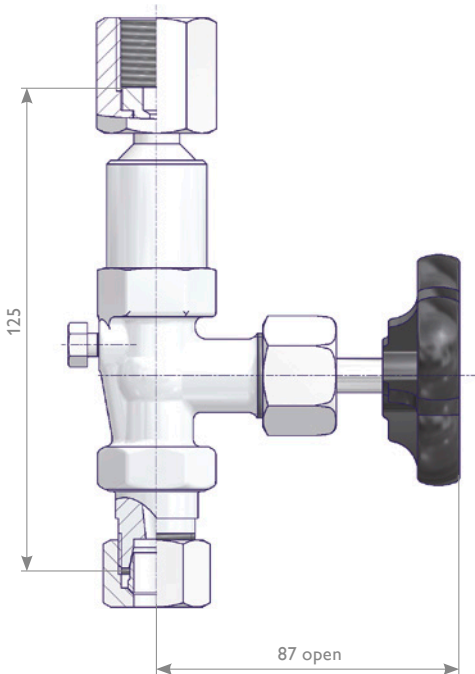


Gauge Valves without Test Connection

Instrument Connection - Swivel Nut and Shaft for Supports (see Page 24)



Inlet	Outlet	Material	References	Part Number
G 1/2 Male	G 1/2 Swivel Nut	Brass	DIN 16270 Type B	S004.16.020
			DVGW approved	S004.26.020
		1.0460	DIN 16270 Type B	S004.16.120
			DVGW approved	S004.26.120
		1.4571	DIN 16270 Type B	S004.16.220
			DVGW approved	S004.26.220



Inlet	Outlet	Material	References	Part Number
Tube Fitting Size 12S	G 1/2 Swivel Nut	Brass	DIN 16270 Type B	S004.16.020.13
			DVGW approved	S004.26.020.13
		1.0460	DIN 16270 Type B	S004.16.120.13
			DVGW approved	S004.26.120.13
		1.4571	DIN 16270 Type B	S004.16.220.13
			DVGW approved	S004.26.220.13