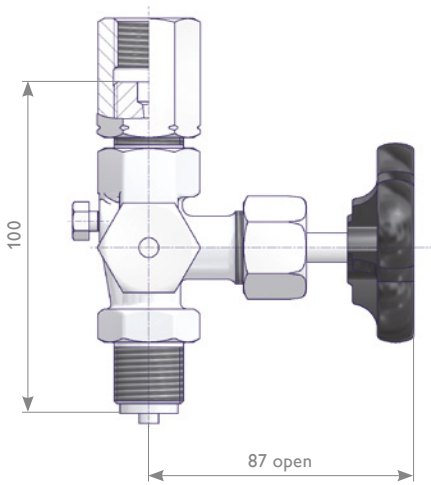


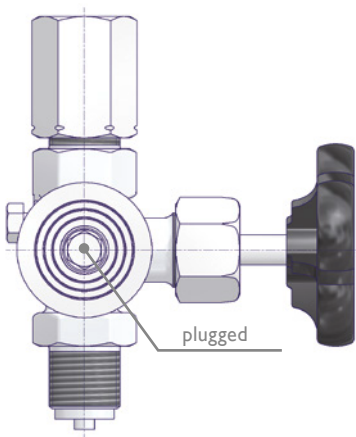
# Gauge Valves with Test Connection

B.01.110-E-190423  
www.tempco.be

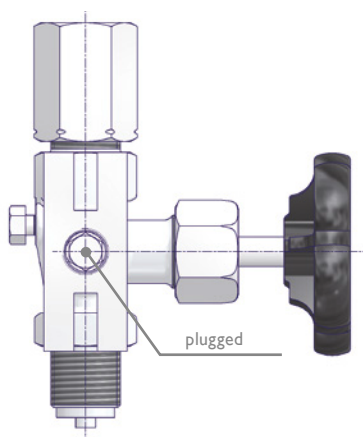
## Instrument Connection - Adjusting Nut



Valve with Test Connection M20 x 1.5



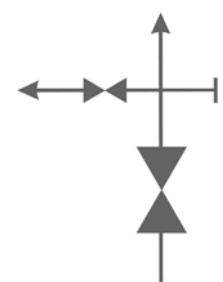
Valve with Test Flange Ø 40 x 5



Valve with Test Flange 60 x 25 x 10

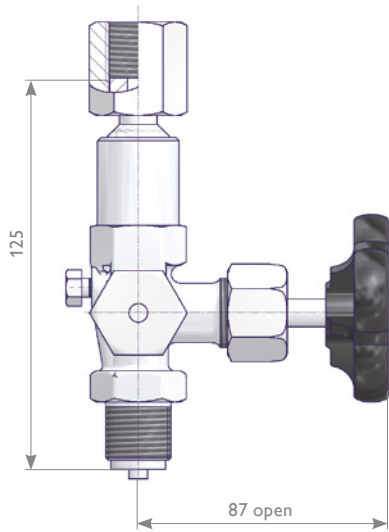
Inlet	Outlet	Test Connection	Material	References	Part Number	
G 1/2 Male	G 1/2 Adjusting Nut	M20 x 1.5 c/w Sealing Cap	Brass	DIN 16271 Type A	S004.17.000	
				DVGW approved	S004.27.000	
			Brass (AP)*	DIN 16271 Type A	S004.17.000.32	
		Brass	Test Flange Ø 40 x 5	S004.17.060		
			Test Flange 60 x 25 x 10	S004.17.070		
		1.0460	M20 x 1.5 c/w Sealing Cap	DIN 16271 Type A	S004.17.100	
				DVGW approved	S004.27.100	
			Test Flange Ø 40 x 5	S004.17.160		
			Test Flange 60 x 25 x 10	S004.17.170		
			1.4571	M20 x 1.5 c/w Sealing Cap	DIN 16271 Type A	S004.17.200
					DVGW approved	S004.27.200
		Test Flange Ø 40 x 5		S004.17.260		
Test Flange 60 x 25 x 10	S004.17.270					
M20 x 1.5 Male	M20 x 1.5 Adjusting Nut	M20 x 1.5 c/w Sealing Cap	Brass	S004.17.050		
			1.0460	S004.17.150		
			1.4571	S004.17.250		

\* Brass (AP) = Body, Adjusting Nut, Sealing Cap and Union Nut in Brass

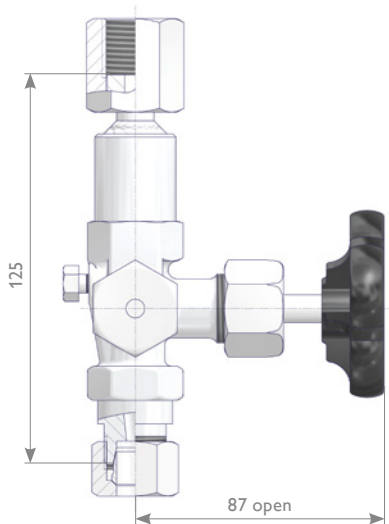


# Gauge Valves with Test Connection

## Instrument Connection - Swivel Nut and Shaft for Supports (see Page 24)

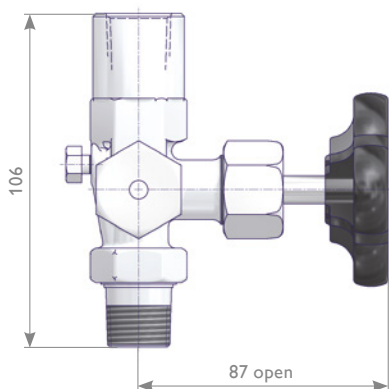


Inlet	Outlet	Test Connection	Material	References	Part Number
G 1/2 Male	G 1/2 Swivel Nut	M 20 x 1.5 c/w Sealing Cap	Brass	DIN 16271 Type B	S004.17.020
				DVGW approved	S004.27.020
			1.0460	DIN 16271 Type B	S004.17.120
				DVGW approved	S004.27.120
			1.4571	DIN 16271 Type B	S004.17.220
				DVGW approved	S004.27.220



Inlet	Outlet	Test Connection	Material	References	Part Number
Tube Fitting Size 12S	G 1/2 Swivel Nut	M 20 x 1.5 c/w Sealing Cap	Brass	DIN 16271 Type B	S004.17.020.13
				DIN 16271 Type B	S004.17.120.13
			1.0460	DVGW approved	S004.27.120.13
				DIN 16271 Type B	S004.17.220.13
			1.4571	DVGW approved	S004.27.220.13

## Instrument Connection - 1/2 NPT Female



Inlet	Outlet	Test Connection	Material	References	Part Number
1/2 NPT Male	1/2 NPT Female	M 20 x 1.5 c/w Sealing Cap	1.0460		S004.17.135.02
			1.4571		S004.17.235.02