

Temperature Controller TR

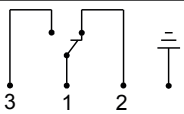


- Adjustable from the exterior
- Installation location as desired

Characteristics

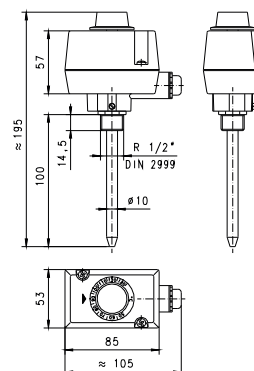
The measurement fluid in the sensor expands as the temperature increases, and thus triggers a micro switch via a membrane.

Technical data

Switch	micro switch
Process connection	male thread R 1/2" (DIN 2999)
Switching range	<i>one contact</i> externally adjustable +50..+130 °C <i>two contacts</i> externally adjustable +35..+95 °C internally adjustable +50..+130 °C
Adjustability	in 5 °C steps
Tolerance	±5 K
Hysteresis	~ 8 K
Pressure	PN 16
Medium temperature	-20..+145 °C
Ambient temperature	-20..+55 °C
Media	water, viscous media, gases
Wiring	changeover No. 0.342 
Switching voltage	24..250 V AC
Switching current	max. 8 A (15 A ohmic load)
Switching capacity	at 24 V AC min. 150 mA
Protection class	1
Ingress protection	IP 43 (optionally IP 54)
Electrical connection	cable screw gland M20x1.5
Materials medium-contact	CW614N nickelled (optionally stainless steel 1.4301)
Non-medium-contact materials	Cu nickelled, ABS
Weight	one contact 0.3 kg two contacts 0.5 kg
Installation location	installation location as desired. When installed, the sensor should be fully immersed in the medium.

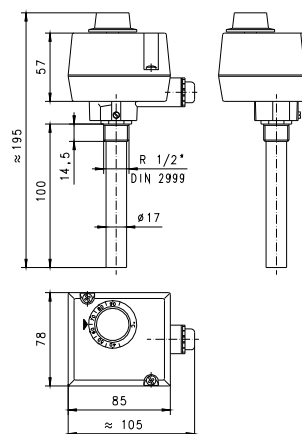
Dimensions

one contact



Further sensor lengths available on request.

two contacts



Further sensor lengths available on request.

Ordering code

TR -

1.	2.	3.	4.
015	H	M	

1. Connection size	
015	threaded connection R 1/2"
2. Process connection	
H	screw-in thread
3. Connection material	
M	brass
4. Number of contacts	
1	one contact
2	two contacts

Options

- Immersion sleeve 200 mm
- Immersion sleeve 280 mm
- Immersion sleeve stainless steel
- Ingress protection IP 54