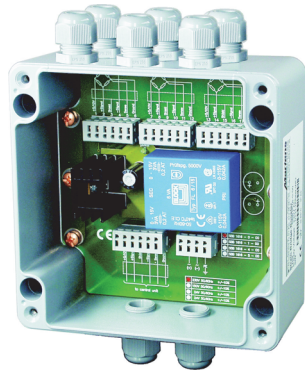


Product Information

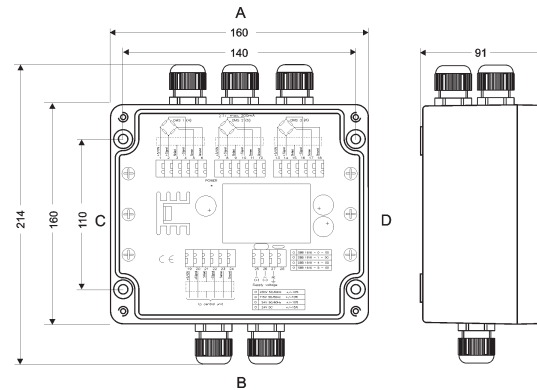
Weighing Instruments

DMS-Bridge Amplifier SBB1616

Connection : clamp terminals, 2 mm² single wire,
1.5 mm² flexi wire, AWG14
5 or 8 cable glands M16x1.5
Protection class : IP65, terminals IP20,
finger safe acc. to BGV A3



Dimensions



- Bridge supply 2..10 V
- max. 6 DMS strain bridge sensors $\geq 300 \Omega$ at 10 V
- Output current 200 mA max.
- Line compensation up to 1 V
- Protection class IP65

Characteristics

Strain-Bridge-Amplifier SBB 1616 will be used if more than one strain bridge sensor (DMS sensor) is necessary. The device can supply max. 6 DMS sensors. The total force or weight, results from the sum of single loads or weights. It must be ensured, that all used DMS sensors have the same measuring range and sensitivity (mV/V). Tolerance-conditioned differences in sensitivities are considered, by operating with the arithmetic average value of the used DMS sensors.

Technical data

Power supply
Supply voltage : 230 V AC $\pm 10 \%$; 115 V AC $\pm 10 \%$,
24 V AC $\pm 10 \%$ or 24 V DC $\pm 15 \%$

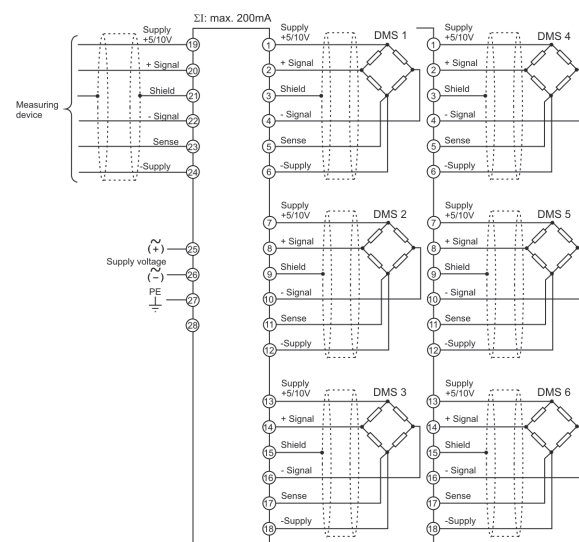
Power consumption : max. 8 VA
Operating temp. : -10..+55 °C
CE-conformity : EN 61326-1:2013; EN 60664-1:2007

Input
Voltage : 2..10 V DC (bridge voltage)
Difference voltage : input/output maximal 2 mV
Input resistance : 10 kOhm
Number of bridges : max. 6 (300 Ω each) at 10 V
Connection : 3 sensors direct, with 6 sensors 2 parallel
(see connection diagram)

Output
Bridge voltage : 2..10 V DC amplified bridge voltage from
the measuring device
Voltage reserve for line compensation : max. 1 V
Output current : max. 200 mA, with short circuit proof

Case : Aluminum, field mounting
Dimensions : 160 x 160 x 91 mm (WxHxD)
Weight : max. 1900 g

Connection diagram



Ordering code

SBB1616 - 1. - 2.

1. Power supply	
0	230 V AC $\pm 10 \%$
1	115 V AC $\pm 10 \%$
4	24 V AC $\pm 10 \%$
5	24 V DC $\pm 15 \%$
2. Options	
00	without option
01	3 additional cable glands M16x1.5 on side A